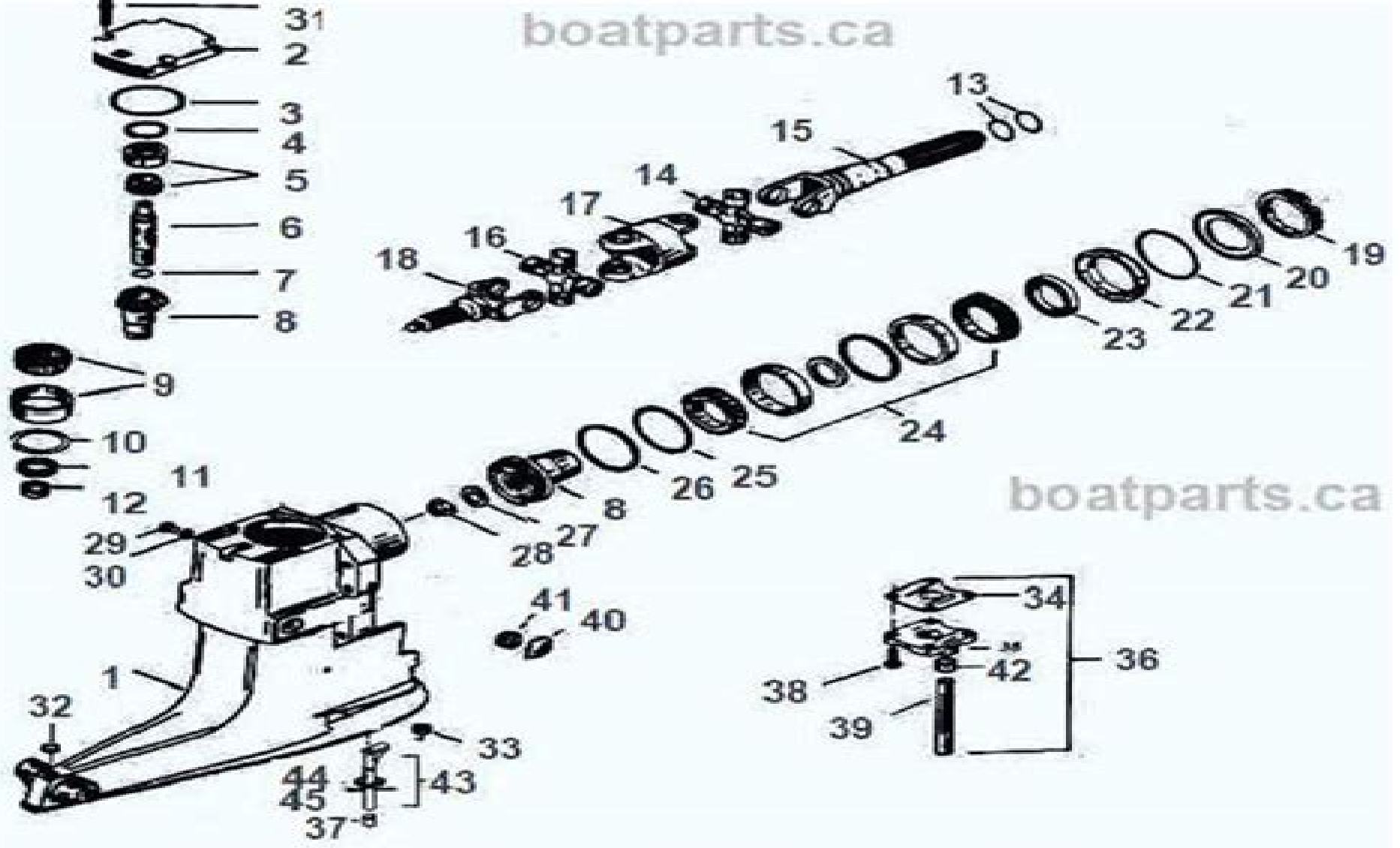


boatparts.ca



boatparts.ca

Mercruiser / Alpha One

boatparts.ca

Mercury Alpha Gen 1 Manual

D Siedentop



Mercruiser Alpha Gen 1 Manual:

Publications Stocked by the Marine Corps (indexed by Distribution). ,1985 *Subject Guide to Books in Print* ,2001 *Construction Methods and Equipment* ,1953 *MVMA Specifications Form - Passenger Car; Mercury. 1977* ,1976 *AMA Specifications Form - Passenger Car; Mercury. 1972* ,1971 **EPA Publications Bibliography** United States. Environmental Protection Agency,1987 **Food Industries Manual** Harry Brennan Cronshaw,F. Hirst,William Bennett Adam,1939 *Food Industries Manual* ,1940 A technical and commercial compendium on the manufacture preserving packing and storage of all food products *Books in Print Supplement* ,2002 *Boating* ,1999-04 **Boating** ,1996-01 **The Athenaeum** ,1870 *Boating* ,2008-02 **The Street Railway Journal** ,1934 *The Library Bulletin of Cornell University* ,1891 **American Books with Tails to 'em** Henry Stevens (Jr.),1873 *American books with tails to 'em, a private pocket list of the incomplete or unfinished American periodicals and other continuations and works in progress supplied to the British museum and other libraries* Henry Stevens,1873 **The Oracle** ,1881 **Bulletin of the Public Library of the City of Boston** Boston Public Library,1875 *EPA Publications Bibliography* ,1987

Mercruiser Alpha Gen 1 Manual Book Review: Unveiling the Magic of Language

In an electronic digital era where connections and knowledge reign supreme, the enchanting power of language has become more apparent than ever. Its capability to stir emotions, provoke thought, and instigate transformation is actually remarkable. This extraordinary book, aptly titled "**Mercruiser Alpha Gen 1 Manual**," written by a highly acclaimed author, immerses readers in a captivating exploration of the significance of language and its profound effect on our existence. Throughout this critique, we will delve to the book's central themes, evaluate its unique writing style, and assess its overall influence on its readership.

https://auld.rmjm.com/About/browse/Documents/Topcon_Gts_720_Manual.pdf

Table of Contents Mercruiser Alpha Gen 1 Manual

1. Understanding the eBook Mercruiser Alpha Gen 1 Manual
 - The Rise of Digital Reading Mercruiser Alpha Gen 1 Manual
 - Advantages of eBooks Over Traditional Books
2. Identifying Mercruiser Alpha Gen 1 Manual
 - Exploring Different Genres
 - Considering Fiction vs. Non-Fiction
 - Determining Your Reading Goals
3. Choosing the Right eBook Platform
 - Popular eBook Platforms
 - Features to Look for in an Mercruiser Alpha Gen 1 Manual
 - User-Friendly Interface
4. Exploring eBook Recommendations from Mercruiser Alpha Gen 1 Manual
 - Personalized Recommendations
 - Mercruiser Alpha Gen 1 Manual User Reviews and Ratings
 - Mercruiser Alpha Gen 1 Manual and Bestseller Lists

5. Accessing Mercuriser Alpha Gen 1 Manual Free and Paid eBooks
 - Mercuriser Alpha Gen 1 Manual Public Domain eBooks
 - Mercuriser Alpha Gen 1 Manual eBook Subscription Services
 - Mercuriser Alpha Gen 1 Manual Budget-Friendly Options
6. Navigating Mercuriser Alpha Gen 1 Manual eBook Formats
 - ePub, PDF, MOBI, and More
 - Mercuriser Alpha Gen 1 Manual Compatibility with Devices
 - Mercuriser Alpha Gen 1 Manual Enhanced eBook Features
7. Enhancing Your Reading Experience
 - Adjustable Fonts and Text Sizes of Mercuriser Alpha Gen 1 Manual
 - Highlighting and Note-Taking Mercuriser Alpha Gen 1 Manual
 - Interactive Elements Mercuriser Alpha Gen 1 Manual
8. Staying Engaged with Mercuriser Alpha Gen 1 Manual
 - Joining Online Reading Communities
 - Participating in Virtual Book Clubs
 - Following Authors and Publishers Mercuriser Alpha Gen 1 Manual
9. Balancing eBooks and Physical Books Mercuriser Alpha Gen 1 Manual
 - Benefits of a Digital Library
 - Creating a Diverse Reading Collection Mercuriser Alpha Gen 1 Manual
10. Overcoming Reading Challenges
 - Dealing with Digital Eye Strain
 - Minimizing Distractions
 - Managing Screen Time
11. Cultivating a Reading Routine Mercuriser Alpha Gen 1 Manual
 - Setting Reading Goals Mercuriser Alpha Gen 1 Manual
 - Carving Out Dedicated Reading Time
12. Sourcing Reliable Information of Mercuriser Alpha Gen 1 Manual
 - Fact-Checking eBook Content of Mercuriser Alpha Gen 1 Manual
 - Distinguishing Credible Sources
13. Promoting Lifelong Learning

-
- Utilizing eBooks for Skill Development
 - Exploring Educational eBooks
14. Embracing eBook Trends
- Integration of Multimedia Elements
 - Interactive and Gamified eBooks

Mercruiser Alpha Gen 1 Manual Introduction

In today's digital age, the availability of Mercruiser Alpha Gen 1 Manual books and manuals for download has revolutionized the way we access information. Gone are the days of physically flipping through pages and carrying heavy textbooks or manuals. With just a few clicks, we can now access a wealth of knowledge from the comfort of our own homes or on the go. This article will explore the advantages of Mercruiser Alpha Gen 1 Manual books and manuals for download, along with some popular platforms that offer these resources. One of the significant advantages of Mercruiser Alpha Gen 1 Manual books and manuals for download is the cost-saving aspect. Traditional books and manuals can be costly, especially if you need to purchase several of them for educational or professional purposes. By accessing Mercruiser Alpha Gen 1 Manual versions, you eliminate the need to spend money on physical copies. This not only saves you money but also reduces the environmental impact associated with book production and transportation. Furthermore, Mercruiser Alpha Gen 1 Manual books and manuals for download are incredibly convenient. With just a computer or smartphone and an internet connection, you can access a vast library of resources on any subject imaginable. Whether you're a student looking for textbooks, a professional seeking industry-specific manuals, or someone interested in self-improvement, these digital resources provide an efficient and accessible means of acquiring knowledge. Moreover, PDF books and manuals offer a range of benefits compared to other digital formats. PDF files are designed to retain their formatting regardless of the device used to open them. This ensures that the content appears exactly as intended by the author, with no loss of formatting or missing graphics. Additionally, PDF files can be easily annotated, bookmarked, and searched for specific terms, making them highly practical for studying or referencing. When it comes to accessing Mercruiser Alpha Gen 1 Manual books and manuals, several platforms offer an extensive collection of resources. One such platform is Project Gutenberg, a nonprofit organization that provides over 60,000 free eBooks. These books are primarily in the public domain, meaning they can be freely distributed and downloaded. Project Gutenberg offers a wide range of classic literature, making it an excellent resource for literature enthusiasts. Another popular platform for Mercruiser Alpha Gen 1 Manual books and manuals is Open Library. Open Library is an initiative of the Internet Archive, a non-profit organization dedicated to digitizing cultural artifacts and making them accessible to the public. Open Library hosts millions of books, including both public domain works and contemporary titles. It also allows users to

borrow digital copies of certain books for a limited period, similar to a library lending system. Additionally, many universities and educational institutions have their own digital libraries that provide free access to PDF books and manuals. These libraries often offer academic texts, research papers, and technical manuals, making them invaluable resources for students and researchers. Some notable examples include MIT OpenCourseWare, which offers free access to course materials from the Massachusetts Institute of Technology, and the Digital Public Library of America, which provides a vast collection of digitized books and historical documents. In conclusion, Mer cruiser Alpha Gen 1 Manual books and manuals for download have transformed the way we access information. They provide a cost-effective and convenient means of acquiring knowledge, offering the ability to access a vast library of resources at our fingertips. With platforms like Project Gutenberg, Open Library, and various digital libraries offered by educational institutions, we have access to an ever-expanding collection of books and manuals. Whether for educational, professional, or personal purposes, these digital resources serve as valuable tools for continuous learning and self-improvement. So why not take advantage of the vast world of Mer cruiser Alpha Gen 1 Manual books and manuals for download and embark on your journey of knowledge?

FAQs About Mer cruiser Alpha Gen 1 Manual Books

1. Where can I buy Mer cruiser Alpha Gen 1 Manual books? Bookstores: Physical bookstores like Barnes & Noble, Waterstones, and independent local stores. Online Retailers: Amazon, Book Depository, and various online bookstores offer a wide range of books in physical and digital formats.
2. What are the different book formats available? Hardcover: Sturdy and durable, usually more expensive. Paperback: Cheaper, lighter, and more portable than hardcovers. E-books: Digital books available for e-readers like Kindle or software like Apple Books, Kindle, and Google Play Books.
3. How do I choose a Mer cruiser Alpha Gen 1 Manual book to read? Genres: Consider the genre you enjoy (fiction, non-fiction, mystery, sci-fi, etc.). Recommendations: Ask friends, join book clubs, or explore online reviews and recommendations. Author: If you like a particular author, you might enjoy more of their work.
4. How do I take care of Mer cruiser Alpha Gen 1 Manual books? Storage: Keep them away from direct sunlight and in a dry environment. Handling: Avoid folding pages, use bookmarks, and handle them with clean hands. Cleaning: Gently dust the covers and pages occasionally.
5. Can I borrow books without buying them? Public Libraries: Local libraries offer a wide range of books for borrowing. Book Swaps: Community book exchanges or online platforms where people exchange books.

6. How can I track my reading progress or manage my book collection? Book Tracking Apps: Goodreads, LibraryThing, and Book Catalogue are popular apps for tracking your reading progress and managing book collections. Spreadsheets: You can create your own spreadsheet to track books read, ratings, and other details.
7. What are Mercuriser Alpha Gen 1 Manual audiobooks, and where can I find them? Audiobooks: Audio recordings of books, perfect for listening while commuting or multitasking. Platforms: Audible, LibriVox, and Google Play Books offer a wide selection of audiobooks.
8. How do I support authors or the book industry? Buy Books: Purchase books from authors or independent bookstores. Reviews: Leave reviews on platforms like Goodreads or Amazon. Promotion: Share your favorite books on social media or recommend them to friends.
9. Are there book clubs or reading communities I can join? Local Clubs: Check for local book clubs in libraries or community centers. Online Communities: Platforms like Goodreads have virtual book clubs and discussion groups.
10. Can I read Mercuriser Alpha Gen 1 Manual books for free? Public Domain Books: Many classic books are available for free as they're in the public domain. Free E-books: Some websites offer free e-books legally, like Project Gutenberg or Open Library.

Find Mercuriser Alpha Gen 1 Manual :

topcon gts 720 manual

network products guide awards

federal housing subsidies how are they working

bus 59strategic management comprehensive exam

physical chemistry atkins 9th solution manual

mini cooper s 2009 manual

peugeot 405 workshop repair manual all 1987 1997 models covered

yamaha cdv 1100 cd players owners manual

porsche 911 carrera 2004 2009 workshop repair service manual

interests ideas and deregulation the fate of hospital rate setting

workshop manual for suzuki grand vitara

zoology question hsc 2013 dhaka board

peugeot 406 1997 repair service manual

labyrinths of democracy adaptations linkages representation and policies in urban politics

2000 ford ranger transmission fluid check

Mercruiser Alpha Gen 1 Manual :

section 1 in celebrating texas cscvirtual admission culver - May 15 2023

web jun 9 2023 texas water 2019 tm april 1 4 the section winners will compete at the awwa ace18 conference in las vegas in june celebrating 23 years as chapter 10

what might be on the agenda for texas first special - Dec 10 2022

web jun 25 2021 this week gov greg abbott announced a special session of the texas legislature will convene on july 8 to address priority items left over from the regular

asce texas section centennial celebrating more than 100 years - Aug 06 2022

web celebrating more than 100 years of asce texas section in 2013 we held the asce texas section centennial celebration to celebrate more than 100 years of asce in

section 1 in celebrating texas pdf doblespacio uchile - Oct 08 2022

web collections section 1 in celebrating texas that we will unquestionably offer it is not regarding the costs its nearly what you craving currently this section 1 in celebrating

section 1 in celebrating texas rc miit edu - Jan 31 2022

web jun 8 2023 this section 1 in celebrating texas but end up in damaging downloads along with tutorials you could take pleasure in the present is section 1 in celebrating

the 85th texas legislature special session the - Nov 09 2022

web the 85th texas legislature special session this summer the texas legislature is holding a special session aimed at taking on 20 topics legislation to keep some state

section 1 in celebrating texas 2022 doblespacio uchile - Jul 17 2023

web section 1 in celebrating texas is available in our digital library an online access to it is set as public so you can download it instantly our books collection spans in multiple

monday is national cheeseburger day here are the deals to relish - Nov 28 2021

web 1 day ago 8 06 1 592 54 mo calculate payment these days you d be hard pressed to find anything at the store for under a dollar but on monday in honor of

section 1 in celebrating texas secure4 khronos - May 03 2022

web jun 12 2023 section 1 in celebrating texas it is not roughly orally the financial outlays its virtually what you necessity at

the moment appreciation for fetching section 1 in
[section 1 in celebrating texas dream networkonair](#) - Sep 07 2022

web section meetings spring 2020 university of north texas denton texas past section march 30 april 1 texas a amp m section
1 b timeline application based on intent to use

section 1 in celebrating texas orientation sutd edu sg - Oct 28 2021

web innovating for the future c ymcdn com lesson plan chapter 23 section 1 pages 474 481 texas and barbecue camps
foodways texas events at hpl houston public

the texas constitution - Jun 04 2022

web state of texas do ordain and establish this constitution article 1 bill of rights that the general great and essential
principles of liberty and free government may be

[legislative reference library general information texas](#) - Feb 12 2023

web third monday february 20 2023 government code section 662 003 a sb 54 16th r s originally the 22nd of february in
honor of washington s birthday changed to the 3rd

special sessions of the texas legislature reform austin - Mar 01 2022

web may 3 2019 reform austin explains special sessions of the texas legislature starting on the second tuesday of january in
every odd numbered year the texas legislature

section 1 in celebrating texas lms duhs edu - Jan 11 2023

web jun 11 2023 section 1 in celebrating texas is available in our literature compilation an online access to it is set as public
so you can get it promptly download the section 1 in

section 1 in celebrating texas wrbb neu edu - Apr 02 2022

web collection from texas s rich history and independent spirit celebrating texas xlibris corporation the alamo the six flags
over texas san jacinto mission these are just a

section 1 in celebrating texas help environment harvard edu - Apr 14 2023

web 1 section 1 in celebrating texas right here we have countless books section 1 in celebrating texas and collections to
check out we additionally meet the expense of

section 1 in celebrating texas teardrop a antyrasolutions com - Jul 25 2021

web section 1 in celebrating texas may 7th 2018 meetings of the texas section next future section meetings spring 2020
university of north texas denton texas past

section 1 in celebrating texas darelava - Sep 26 2021

web may 10 2023 texas past section march 30 april 1 texas a amp m section 1 texas secedes section 2 texans fight for the

confederacy section 3 the civil war

section 1 in celebrating texas huafay - Jul 05 2022

web section 1 in celebrating texas section 1 in celebrating texas celebrating texas chapter 10 meetings texas section maa celebrating texas ch 21 sect 1 sczweb de

section 1 in celebrating texas - Aug 26 2021

web may 7th 2018 texas water 2019 tm april 1 4 the section winners will compete at the awwa ace18 conference in las vegas in june celebrating 23 years as may day

section 1 in celebrating texas tvl parisbytrain com - Jun 16 2023

web section 1 in celebrating texas universities celebrate anniversaries amid concerns of tops april 20th 2018 texas southern university at shreveport also celebrate 50

man accused of killing nearly two dozen older women killed in - Dec 30 2021

web 1 hour ago dallas ap a man accused of killing nearly two dozen older women has been killed in prison by his cellmate texas officials say

texas independence day wikipedia - Mar 13 2023

web annual texas independence day is the celebration of the adoption of the texas declaration of independence on march 2 1836 with this document signed by 59

section 1 in celebrating texas texas - Aug 18 2023

web celebrating texas therese m shea 2010 01 01 the alamo the six flags over texas san jacinto mission these are just a few of the images that evoke texas pride as readers examine the symbols and landmarks of texas with the aid of a timeline and map they

scott foresman science grade 4 archive org - Dec 17 2021

scott foresman science grade 4 teacher s edition volume 1 - Nov 15 2021

scott foresman science grade 4 archive org - Oct 07 2023

web language english 8 volumes 28 29 cm set of materials for classroom use in grade 4 science curriculum see learning in a whole new light v 1 textbook v 2

scott foresman science grade 4 assessment book amazon com - Nov 27 2022

web scott foresman science showing top 8 worksheets in the category scott foresman science some of the worksheets displayed are scott foresman science scott

[scott foresman science free download borrow and streaming](#) - Jan 18 2022

web jan 1 2008 scott foresman science grade 4 teacher s edition volume 1 ring bound january 1 2008 by scott foresman author 5 0 out of 5 stars 1 rating

scott foresman science grade 4 teacher s edition goodreads - Mar 20 2022

web for grades k 6 see learning in a whole new light includes indexes v 1 student edition v 2 teacher s edition v 3 activity book v 4 activity flip chart v 5 assessment

scott foresman science grade 4 workbook teacher s guide - Apr 01 2023

web abebooks com science 2006 workbook grade 4 9780328126132 by scott foresman and a great selection of similar new used and collectible books available

[science activity book grade 4 workbook edition](#) - May 02 2023

web jan 1 2005 scott foresman science grade 4 workbook teacher s guide paperback published january 1 2005 book details editions about the author scott foresman

science grade 4 workbook teacher guide scott - Sep 06 2023

web jan 7 2005 science 2006 workbook grade 4 workbook edition by scott foresman author 4 4 38 ratings see all formats and editions scott foresman

science grade 4 workbook teacher guide by scott foresman - Feb 28 2023

web jul 13 2015 27 hardcover 5264 list 100 80 free delivery mon aug 14 only 4 left in stock order soon more buying choices 8 82 24 used new offers ages 9 years

[amazon com scott foresman science grade 4](#) - Dec 29 2022

web scott foresman science grade 4 authors timothy cooney scott foresman and company summary set of materials for classroom use in grade 4 science curriculum

scott foresman science 2010 diamond edition savvas - Aug 25 2022

web moved permanently redirecting to browse search scott 20foresman 20science 20grade 204

scott foresman science grade 4 textbook pdf pdfiller - Apr 20 2022

web read reviews from the world s largest community for readers scott foresman science diamond edition 2010 components for grade 4

science 2006 workbook grade 4 by scott foresman - Feb 16 2022

web xxxii 576 em32 pages 29 cm grade 4 intention submitted 11 08 by njcb braille fairfield nj american red cross of northern new jersey access restricted item true

scott foresman science grade 4 worldcat org - Oct 27 2022

web scott foresman science 2010 diamond edition with scott foresman science you ll spend less time planning for science and more time actually doing science

scott foresman science worksheets k12 workbook - May 22 2022

web jan 1 2008 scott foresman 18k books62 followers scott foresman is an elementary educational publisher for prek through grade 6 in all subject areas it is owned by

amazon com scott foresman grade 4 science - Jul 04 2023

web jan 7 2005 science activity book grade 4 workbook edition science activity book grade 4 workbook edition by scott foresman author 4 4 6 ratings see all formats

teaching resources lesson plans tpt - Jun 22 2022

web 01 begin by reviewing the instructions provided in the scott foresman science grade materials familiarize yourself with the format and structure of the grade 02 gather all

science 2006 workbook grade 4 scott foresman - Jan 30 2023

web jan 1 2006 scott foresman science grade 4 assessment book dr timothy cooney barbara foots dr james flood dr timothy cooney barbara foots dr james flood

scott foresman science worksheets teacher worksheets - Sep 25 2022

web worksheets are scott foresman science workbook grade 4 scott foresman science grade 4 chapter 1 test scott foresman science grade 4 chapter 1 test scott

science 2006 workbook grade 4 scott - Aug 05 2023

web jan 7 2005 37 paperback science 2016 student edition grade 4 by scott foresman jul 13 2015 64 paperback 699 45 00 3 99 delivery feb 3 7 only 4 left in stock

scott foresman science grade 4 worksheets k12 workbook - Jul 24 2022

web scott foresman reading resource packet 6 scott foresman science grade 6 workbook answers 7 pearl and wagner 8 scott foresman 5th grade science

scott foresman science grade 4 archive org - Jun 03 2023

web jul 9 2021 scott foresman science grade 4 workbook teacher s guide by timothy cooney open library preview borrow listen want to read 1 2 3 4 more overview view

aire d attraction de la loupe wikipédia - Jan 26 2022

web l aire d attraction de la loupe est un zonage d étude défini par l insee pour caractériser l influence de la commune de la loupe sur les communes environnantes publiée en

l espace a la loupe book cyberlab sutd edu sg - Aug 13 2023

web l espace a la loupe creating information monopolies to promote innovation in the espace europen de la crativit may 02
2021 les sciences humaines dans le centre

[le fc nantes a loupé un gros transfert pour une raison inattendue](#) - Feb 24 2022

web 21 hours ago le fc nantes a loupé un gros transfert pour une raison inattendue auteur de 3 buts et 2 passes décisives depuis le début de la saison moussa al tamari est

l espace à la loupe collectif cultura - Oct 15 2023

web cet ouvrage enchante tous les passionnés d astronomie d incroyables images et photographies leur permettront d explorer les confins du cosmos et d admirer les

l espace a la loupe download only cyberlab sutd edu sg - Oct 23 2021

web in culture sous la direction de quatre spécialistes renommés de l histoire européenne cet ouvrage présente de façon inédite un débat entre historiens de l europe sur l espace

lespace lespace pte ltd - Jan 06 2023

web private offices rent beautiful all inclusive ready to move in private offices that can handle teams of any size enterprise solutions we offer commercial office space solutions with

msap espace france services la loupe la loupe facebook - Aug 01 2022

web msap espace france services la loupe la loupe centre france 279 likes en un lieu unique les usagers sont accompagnés dans leurs démarches de la vie

le sport à la loupe auf apple podcasts - Apr 28 2022

web nov 7 2023 le sport à la loupe est l endroit où les récits authentiques rencontrent la perspicacité journalistique où chaque athlète a une tribune chaque événement une

l espace à la loupe collectif cultura - Nov 23 2021

web collectif l espace à la loupe par collectif aux éditions larousse explorez le système solaire et assistez à la naissance et à la mort des étoiles découvrez grâce à des

2023 la loupe travel guide expedia singapore - Dec 25 2021

web explore the best of la loupe whether you want to experience the city like a tourist or follow the locals check out this great resource for your trip

gabon le parc de la lopé un joyau à valoriser jeune afrique - May 30 2022

web jan 3 2021 bienvenue au parc national lopé okanda qui s étend sur 5 000 km2 c est l un des treize parcs nationaux que compte le gabon dont les 268 000 km2 sont

l espace à la loupe collectif 2035856752 cultura - Feb 07 2023

web l espace à la loupe par collectif aux éditions larousse explorez le système solaire et assistez à la naissance et à la mort des étoiles découvrez grâce à des informations très

[à la loupe traduction en anglais reverso context](#) - Mar 08 2023

web traductions en contexte de à la loupe en français anglais avec reverso context observer à la loupe examiner à la loupe regarder à la loupe passer à la loupe

l espace a la loupe download only cyberlab sutd edu sg - Aug 21 2021

web l espace a la loupe les pratiques agricoles à la loupe jun 24 2022 cet ouvrage analyse les impacts des pratiques agricoles sur les performances productives

l espace a la loupe cyberlab sutd edu sg - Sep 21 2021

web conseil de l europe et par les médias nationaux comme la télévision et le cinéma ce volume montre que l on a souvent sous estimé l espace public européen alors que son

books kinokuniya l espace a la loupe dyer alain - Sep 14 2023

web singapore largest bookstore offering books magazines music cd manga and much more

l espace a la loupe by alan dyer orientation sutd edu - Jun 30 2022

web l espace a la loupe by alan dyer l espace a la loupe by alan dyer office de tourisme du perche loupennais et thironnais info covid 19 mairie de la loupe eure et

l espace a la loupe 9782298014518 abebooks - Apr 09 2023

web l espace a la loupe isbn 10 2298014515 isbn 13 9782298014518 france loisirs hardcover

[star academy 2023 jenifer en mini jupe et ventre à l air elle](#) - Mar 28 2022

web nov 11 2023 aujourd'hui samedi 11 novembre 2023 jenifer fait son retour dans la célèbre émission de tf1 venue chanter l'un de ses plus gros tubes avec lénie jenifer loupe

lespace loupe abebooks - Nov 04 2022

web l espace a la loupe by alan dyer and a great selection of related books art and collectibles available now at abebooks com

l espace à la loupe sciences appliquées rakuten - Dec 05 2022

web apr 2 2016 achat l espace à la loupe à prix bas sur rakuten si vous êtes fan de lecture depuis des années découvrez sans plus tarder toutes nos offres et nos bonnes

espace culturel la loupe facebook - Oct 03 2022

web espace culturel la loupe 48 likes 23 talking about this créé en 2022 l espace culturel de la loupe accueille tout au long de l'année des expositions d'art

[l espace à la loupe alan dyer broché achat livre fnac](#) - May 10 2023

web l espace À la loupe alan dyer des milliers de livres avec la livraison chez vous en 1 jour ou en magasin avec 5 de réduction l espace À la loupe alan dyer broché

amazon fr l espace a la loupe alan dyer livres - Jul 12 2023

web l espace a la loupe cartonné 1 janvier 2009 pour les enfants passionnés d astronomie d incroyables images et photographies leur permettront d explorer les

[loupes raptor supplies singapore](#) - Sep 02 2022

web address raptor supplies pte ltd 68 circular road 02 01 049422 singapore get deals on loupes from aven bausch lomb and eschenbach optik portable design used

english translation of à la loupe collins online dictionary - Jun 11 2023

web on vit un moment historique qui nous donne l espace et le temps de scruter à la loupe ce que font les politiciens l actualité 2020 autant se rappeler que désormais tout est