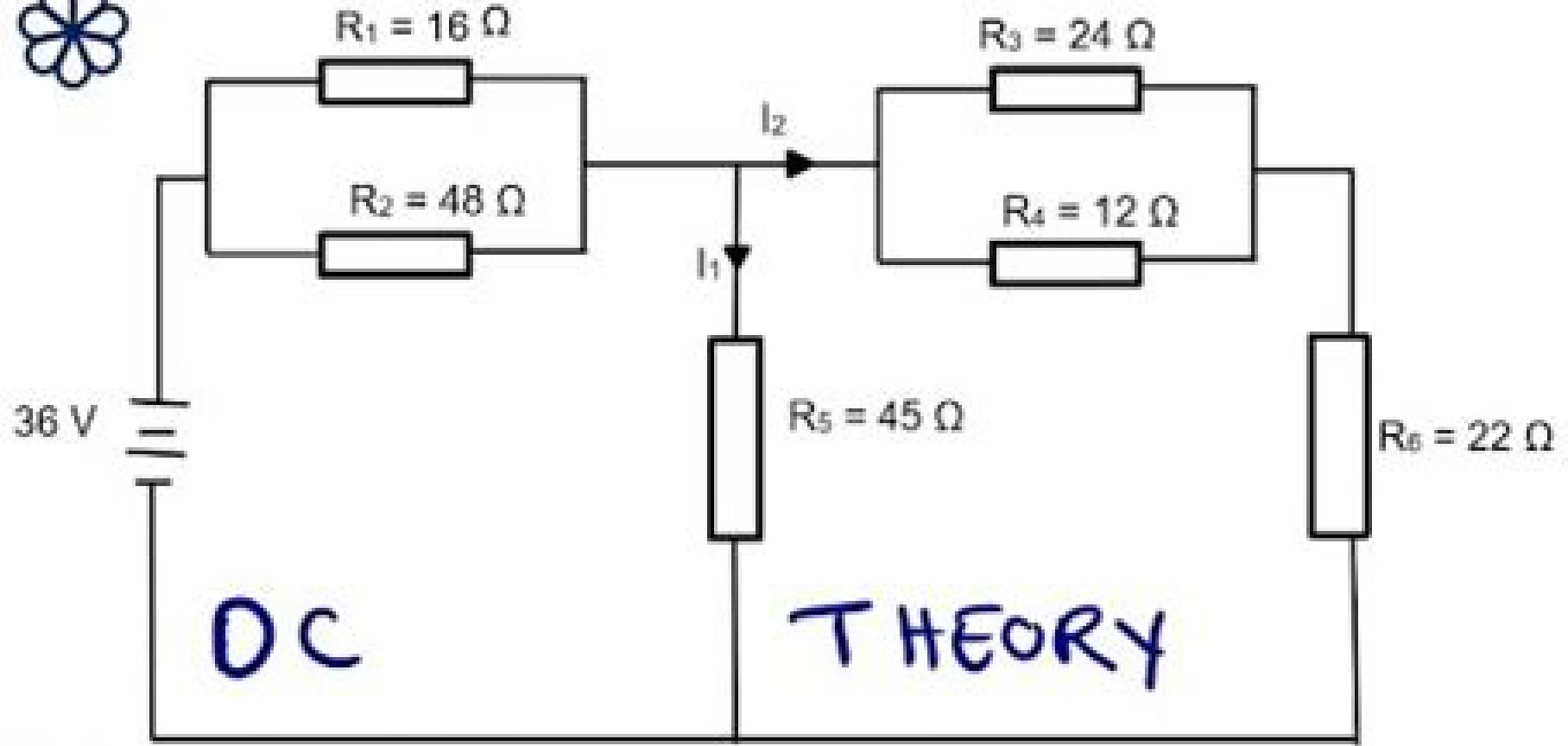


# INDUSTRIAL ELECTRONICS N2

QUESTION 1

JUNE 2022



Referring to the circuit above, determine the following:

## N2 Direct Theory Questions

**National Academy of Sciences (U.S.)**

## **N2 Direct Theory Questions:**

*CBSE Class 11 Chemistry Chapterwise Question Bank for 2026 Exam | As Per Latest NCERT Syllabus Nodia,2025-07-18*

This CBSE Class 11 Chemistry Chapter wise Question Bank 2026 Edition is meticulously prepared according to the latest CBSE and NCERT Class 11 Chemistry syllabus ensuring complete and exam oriented preparation All chapters are systematically arranged to strengthen conceptual clarity numerical problem solving and chemical understanding The book includes all key CBSE Chemistry question types such as objective questions Assertion Reason and Match the Following very short short long answer case based and NCERT textbook questions with detailed solutions Each question is supported with clear step by step explanations making this Class 11 Chemistry question bank an ideal resource for CBSE exams 2026 and a strong foundation for Class 12 Chemistry JEE and NEET preparation

THEORY AND METHODS OF SURVEY SAMPLING, SECOND EDITION MUKHOPADHYAY, PARIMAL,2008-12-19 This is a comprehensive exposition of survey sampling useful both to the students of statistics for the course on sample survey and to the survey statisticians and practitioners involved in consultancy services marketing opinion polls and so on The text offers updated review of difficult classical techniques of survey sampling besides covering prediction theoretic approach of survey sampling and nonsampling errors NEW TO THIS EDITION Two new chapters Nonparametric Methods of Variance Estimation Chapter 19 and Analysis of Complex Surveys Chapter 20 have been added These would greatly benefit the readers KEY FEATURES Covers concepts of unequal probability sampling Provides problems of making inference from finite population using tools of classical inference Describes nonsampling errors including Randomised Response Techniques Gives over 70 worked out examples and more than 120 problems and solutions Supplies live data from India and Sweden in examples and exercises What the Reviewer says This is a very comprehensive modern text on survey sampling with a strong slant towards theoretical results The book is an excellent reference book and would be a good graduate level sampling text for a course with an emphasis on sampling theory JESSE C ARNOLD Virginia Polytechnic Institute and State University

*Marine Pelagic Cyanobacteria: Trichodesmium and other Diazotrophs* E.J. Carpenter,D.G. Capone,2013-03-09 Planktonic marine cyanobacteria are abundant and significant in the biogeochemistry of the sea This volume focuses on the filamentous cyanobacteria particularly those in the genus Trichodesmium which are common in tropical and subtropical seas A portion of this book also concerns bloom forming cyanobacteria in the Baltic Sea area Filamentous cyanobacteria are important as primary producers and for the fixation of atmospheric nitrogen and thus are significant in global cycling of both of these elements In recent years through the application of new techniques and intensive multi disciplinary research programs progress has been made in understanding both the biology of these cyanobacteria and their place in the marine food web A broad range of topics is covered in this book ranging from molecular biology physiology ultrastructure enzyme localization toxicology remote sensing buoyancy herbivory and the ecology of these organisms in the marine food web This volume is an outgrowth of a NATO sponsored meeting held

in May 1991 in Bamberg Germany and represents the latest synthesis on these marine phytoplankters

Object-Oriented Behavioral Specifications Haim Kilov, William Harvey, 2007-08-20 Object Oriented Behavioral Specifications encourages builders of complex information systems to accelerate their move to using the approach of a scientific discipline in analysis rather than the approach of a craft The focus is on understanding customers needs and on precise specification of understanding gained through analysis Specifications must bridge any gaps in understanding about business rules among customers Subject Matter Experts and computer people must inform decisions about reuse of software and systems and must enable review of semantics over time Specifications need to describe semantics rather than syntax and to do that in an abstract and precise manner in order to create software systems that satisfy business rules The papers in this book show various ways of designing elegant and clear specifications which are reusable lead to savings of intellectual effort time and money and which contribute to the reliability of software and systems Object Oriented Behavioral Specifications offers a fresh treatment of the object oriented paradigm by examining the limitations of traditional OO methodologies and by describing the significance of competing trends in OO modeling The book builds on four years of successful OOPSLA workshops 1991 1995 on behavior semantics This book deals with precise specifications of what is accomplished by the business and what is to be done by a system The book includes descriptions of successful use of abstract and precise specification in industry It draws on the experience of experts from industrial and academic settings and benefits from international participation Collective behavior neglected in some treatment of the OO paradigm is addressed explicitly in this book The book does not take reuse of specifications or software for granted but furnishes a foundation for taking as rigorous an approach to reuse decisions as to precise specifications in original developments

*Gasdynamics of Explosions and Reactive Systems* A. K. Oppenheim, 2013-10-22 Gas Dynamics of Explosions and Reactive Systems documents the proceedings of the 6th Colloquium held at the Royal Institute of Technology in Stockholm Sweden 22 26 August 1977 The meeting was held under the auspices of the Royal Swedish Academy of Sciences and the International Academy of Astronautics The scientific program included over one hundred papers The contributions in this volume are organized into four parts Part I contains papers on gaseous detonations It covers topics such as theoretical model of a detonation cell spherical detonations in hydrocarbon air mixtures and shock wave propagation in tubes filled with water foams Part II presents studies on explosions such as the detonation of hydrogen azide and propagation of a laser supported detonation wave Part III examines condensed phase detonations It includes papers on the mechanism of the divergent and convergent dark waves originating at the charge boundary in detonating liquid homogeneous explosives with unstable detonation front and initiation studies in sensitized nitromethane Part IV presents discussions on turbulent detonations covering topics such as the computational aspects of turbulent combustion and problems and techniques in turbulent reactive systems

The Impact of Microorganisms on Consumption of Atmospheric Trace Gases Steffen Kolb, Marcus A. Horn, J. Colin Murrell, Claudia

Knief,2017-11-29 Gases with a mixing ratio of less than one percent in the lower atmosphere i e the troposphere are considered as trace gases Numerous of these trace gases originate from biological processes in marine and terrestrial ecosystems These gases are of relevance for the climate as they contribute to global warming or to the troposphere s chemical reactive system that builds the ozone layer or they impact on the stability of aerosols greenhouse and pollutant gases These reactive trace gases include methane a multitude of volatile organic compounds of biogenic origin bVOCs and inorganic gases such as nitrogen oxides or ozone The regulatory function of microorganisms for trace gas cycling has been intensively studied for the greenhouse gases nitrous oxide and methane but is less well understood for microorganisms that metabolize molecular hydrogen carbon monoxide or bVOCs The studies compiled this Research Topic reflect this very well While a number of articles focus on nitrous oxide and methane or carbon monoxide oxidation only a few articles address conversion processes of further bVOCs The Research Topic is complemented by three review articles about the consumption of methane and monoterpenes as well as the role of the phyllosphere as a particular habitat for trace gas consuming microorganisms and point out future research directions in the field The presented scientific work illustrates that the field of microbial regulation of trace gas fluxes is still in its infancy when one broadens the view on gases beyond methane and nitrous oxide However there is a societal need to better predict global dynamics of trace gases that impact on the functionality and warming of the troposphere Upcoming modelling approaches will need further information on process rates features and distribution of the driving microorganisms to fulfill this demanding task

**Educart ICSE Class 10 One-shot Question Bank 2026 Chemistry (strictly for 2025-26 boards)** Sir Tarun Rupani,2025-07-12 Fast track your Chemistry revision with this exam ready resource This One shot Question Bank by Sir Tarun Rupani is designed to help ICSE Class 10 students revise the complete Chemistry syllabus quickly and thoroughly It simplifies theory boosts numerical accuracy and ensures strong exam practice all aligned with the 2025 26 ICSE syllabus Key Features Strictly Based on ICSE 2025 26 Curriculum Complete chapter coverage including Periodic Table Chemical Bonding Acid Base Organic Chemistry and more One shot Format Each chapter includes concise concept notes chemical equations reactions and key diagrams for quick recall Complete Coverage of Question Types Includes objective short long answers equation based numerical and reasoning questions Chapterwise PYQs Included Practice with previous years ICSE board questions to understand trends and improve retention Solved Answers in ICSE Format Clear well structured solutions using proper units chemical symbols and balanced equations Smart Revision Focus Special tips to avoid common mistakes in writing reactions balancing equations and attempting numericals Why Choose This Book This Chemistry One shot by Sir Tarun Rupani is built for smart preparation whether you re revising at the last minute or practising throughout the term It helps you approach each question with clarity confidence and the precision needed to score high in the 2026 ICSE board exam

*Mathematical Questions and Solutions in Continuation of the Mathematical Columns of "the Educational Times" ,1883* Mathematical Questions with Their

Solutions ,1882     *Journal American Chemical Society*,2004     **The Cultivator & Country Gentleman** ,1881     Atomic Theories F. H. Loring,1921     **PROCEEINGS OF THE NATIONAL ACADEMY OF SCIENCES OF THE UNITED STATES OF AMERICA** ,     **Chemical News and Journal of Physical Science** William Crookes,James H. Gardiner,Gerald Druce,H. W. Blood-Ryan,1888     Mathematical Questions and Solutions, from the "Educational Times." ,1883     **Proceedings of the National Academy of Sciences of the United States of America** National Academy of Sciences (U.S.),1915 The Proceedings of the National Academy of Sciences PNAS publishes research reports commentaries reviews colloquium papers and actions of the Academy PNAS is a multidisciplinary journal that covers the biological physical and social sciences     **On the Quantum Theory of Line-spectra** Niels Bohr,1918     **A Comprehensive Treatise on Inorganic and Theoretical Chemistry** Joseph William Mellor,1928     *Supplement to Mellor's Comprehensive Treatise on Inorganic and Theoretical Chemistry: suppl. 1, pt. 1. N* Joseph William Mellor,1928     **The Engineer** ,1891

Right here, we have countless book **N2 Direct Theory Questions** and collections to check out. We additionally give variant types and with type of the books to browse. The customary book, fiction, history, novel, scientific research, as without difficulty as various new sorts of books are readily clear here.

As this N2 Direct Theory Questions, it ends going on instinctive one of the favored ebook N2 Direct Theory Questions collections that we have. This is why you remain in the best website to see the incredible book to have.

<https://auld.rmjm.com/results/virtual-library/index.jsp/4024%20oct%20nov%202014%20cies.pdf>

## **Table of Contents N2 Direct Theory Questions**

1. Understanding the eBook N2 Direct Theory Questions
  - The Rise of Digital Reading N2 Direct Theory Questions
  - Advantages of eBooks Over Traditional Books
2. Identifying N2 Direct Theory Questions
  - Exploring Different Genres
  - Considering Fiction vs. Non-Fiction
  - Determining Your Reading Goals
3. Choosing the Right eBook Platform
  - Popular eBook Platforms
  - Features to Look for in an N2 Direct Theory Questions
  - User-Friendly Interface
4. Exploring eBook Recommendations from N2 Direct Theory Questions
  - Personalized Recommendations
  - N2 Direct Theory Questions User Reviews and Ratings
  - N2 Direct Theory Questions and Bestseller Lists
5. Accessing N2 Direct Theory Questions Free and Paid eBooks
  - N2 Direct Theory Questions Public Domain eBooks

- N2 Direct Theory Questions eBook Subscription Services
- N2 Direct Theory Questions Budget-Friendly Options
- 6. Navigating N2 Direct Theory Questions eBook Formats
  - ePub, PDF, MOBI, and More
  - N2 Direct Theory Questions Compatibility with Devices
  - N2 Direct Theory Questions Enhanced eBook Features
- 7. Enhancing Your Reading Experience
  - Adjustable Fonts and Text Sizes of N2 Direct Theory Questions
  - Highlighting and Note-Taking N2 Direct Theory Questions
  - Interactive Elements N2 Direct Theory Questions
- 8. Staying Engaged with N2 Direct Theory Questions
  - Joining Online Reading Communities
  - Participating in Virtual Book Clubs
  - Following Authors and Publishers N2 Direct Theory Questions
- 9. Balancing eBooks and Physical Books N2 Direct Theory Questions
  - Benefits of a Digital Library
  - Creating a Diverse Reading Collection N2 Direct Theory Questions
- 10. Overcoming Reading Challenges
  - Dealing with Digital Eye Strain
  - Minimizing Distractions
  - Managing Screen Time
- 11. Cultivating a Reading Routine N2 Direct Theory Questions
  - Setting Reading Goals N2 Direct Theory Questions
  - Carving Out Dedicated Reading Time
- 12. Sourcing Reliable Information of N2 Direct Theory Questions
  - Fact-Checking eBook Content of N2 Direct Theory Questions
  - Distinguishing Credible Sources
- 13. Promoting Lifelong Learning
  - Utilizing eBooks for Skill Development
  - Exploring Educational eBooks



#### 14. Embracing eBook Trends

- Integration of Multimedia Elements
- Interactive and Gamified eBooks

### **N2 Direct Theory Questions Introduction**

In today's digital age, the availability of N2 Direct Theory Questions books and manuals for download has revolutionized the way we access information. Gone are the days of physically flipping through pages and carrying heavy textbooks or manuals. With just a few clicks, we can now access a wealth of knowledge from the comfort of our own homes or on the go. This article will explore the advantages of N2 Direct Theory Questions books and manuals for download, along with some popular platforms that offer these resources. One of the significant advantages of N2 Direct Theory Questions books and manuals for download is the cost-saving aspect. Traditional books and manuals can be costly, especially if you need to purchase several of them for educational or professional purposes. By accessing N2 Direct Theory Questions versions, you eliminate the need to spend money on physical copies. This not only saves you money but also reduces the environmental impact associated with book production and transportation. Furthermore, N2 Direct Theory Questions books and manuals for download are incredibly convenient. With just a computer or smartphone and an internet connection, you can access a vast library of resources on any subject imaginable. Whether you're a student looking for textbooks, a professional seeking industry-specific manuals, or someone interested in self-improvement, these digital resources provide an efficient and accessible means of acquiring knowledge. Moreover, PDF books and manuals offer a range of benefits compared to other digital formats. PDF files are designed to retain their formatting regardless of the device used to open them. This ensures that the content appears exactly as intended by the author, with no loss of formatting or missing graphics. Additionally, PDF files can be easily annotated, bookmarked, and searched for specific terms, making them highly practical for studying or referencing. When it comes to accessing N2 Direct Theory Questions books and manuals, several platforms offer an extensive collection of resources. One such platform is Project Gutenberg, a nonprofit organization that provides over 60,000 free eBooks. These books are primarily in the public domain, meaning they can be freely distributed and downloaded. Project Gutenberg offers a wide range of classic literature, making it an excellent resource for literature enthusiasts. Another popular platform for N2 Direct Theory Questions books and manuals is Open Library. Open Library is an initiative of the Internet Archive, a non-profit organization dedicated to digitizing cultural artifacts and making them accessible to the public. Open Library hosts millions of books, including both public domain works and contemporary titles. It also allows users to borrow digital copies of certain books for a limited period, similar to a library lending system. Additionally, many universities and educational institutions have their own digital libraries that provide free access to PDF books and manuals. These libraries often offer academic

texts, research papers, and technical manuals, making them invaluable resources for students and researchers. Some notable examples include MIT OpenCourseWare, which offers free access to course materials from the Massachusetts Institute of Technology, and the Digital Public Library of America, which provides a vast collection of digitized books and historical documents. In conclusion, N2 Direct Theory Questions books and manuals for download have transformed the way we access information. They provide a cost-effective and convenient means of acquiring knowledge, offering the ability to access a vast library of resources at our fingertips. With platforms like Project Gutenberg, Open Library, and various digital libraries offered by educational institutions, we have access to an ever-expanding collection of books and manuals. Whether for educational, professional, or personal purposes, these digital resources serve as valuable tools for continuous learning and self-improvement. So why not take advantage of the vast world of N2 Direct Theory Questions books and manuals for download and embark on your journey of knowledge?

### **FAQs About N2 Direct Theory Questions Books**

How do I know which eBook platform is the best for me? Finding the best eBook platform depends on your reading preferences and device compatibility. Research different platforms, read user reviews, and explore their features before making a choice. Are free eBooks of good quality? Yes, many reputable platforms offer high-quality free eBooks, including classics and public domain works. However, make sure to verify the source to ensure the eBook credibility. Can I read eBooks without an eReader? Absolutely! Most eBook platforms offer webbased readers or mobile apps that allow you to read eBooks on your computer, tablet, or smartphone. How do I avoid digital eye strain while reading eBooks? To prevent digital eye strain, take regular breaks, adjust the font size and background color, and ensure proper lighting while reading eBooks. What the advantage of interactive eBooks? Interactive eBooks incorporate multimedia elements, quizzes, and activities, enhancing the reader engagement and providing a more immersive learning experience. N2 Direct Theory Questions is one of the best book in our library for free trial. We provide copy of N2 Direct Theory Questions in digital format, so the resources that you find are reliable. There are also many Ebooks of related with N2 Direct Theory Questions. Where to download N2 Direct Theory Questions online for free? Are you looking for N2 Direct Theory Questions PDF? This is definitely going to save you time and cash in something you should think about. If you trying to find then search around for online. Without a doubt there are numerous these available and many of them have the freedom. However without doubt you receive whatever you purchase. An alternate way to get ideas is always to check another N2 Direct Theory Questions. This method for see exactly what may be included and adopt these ideas to your book. This site will almost certainly help you save time and effort, money and stress. If you are looking for free books then you really should consider finding to assist you try this.

Several of N2 Direct Theory Questions are for sale to free while some are payable. If you arent sure if the books you would like to download works with for usage along with your computer, it is possible to download free trials. The free guides make it easy for someone to free access online library for download books to your device. You can get free download on free trial for lots of books categories. Our library is the biggest of these that have literally hundreds of thousands of different products categories represented. You will also see that there are specific sites catered to different product types or categories, brands or niches related with N2 Direct Theory Questions. So depending on what exactly you are searching, you will be able to choose e books to suit your own need. Need to access completely for Campbell Biology Seventh Edition book? Access Ebook without any digging. And by having access to our ebook online or by storing it on your computer, you have convenient answers with N2 Direct Theory Questions To get started finding N2 Direct Theory Questions, you are right to find our website which has a comprehensive collection of books online. Our library is the biggest of these that have literally hundreds of thousands of different products represented. You will also see that there are specific sites catered to different categories or niches related with N2 Direct Theory Questions So depending on what exactly you are searching, you will be able to choose ebook to suit your own need. Thank you for reading N2 Direct Theory Questions. Maybe you have knowledge that, people have search numerous times for their favorite readings like this N2 Direct Theory Questions, but end up in harmful downloads. Rather than reading a good book with a cup of coffee in the afternoon, instead they juggled with some harmful bugs inside their laptop. N2 Direct Theory Questions is available in our book collection an online access to it is set as public so you can download it instantly. Our digital library spans in multiple locations, allowing you to get the most less latency time to download any of our books like this one. Merely said, N2 Direct Theory Questions is universally compatible with any devices to read.

### **Find N2 Direct Theory Questions :**

**4024 oct nov 2014 cics**

**n2 diesel trade theory memorandums**

envy anger and sweet revenge hey it works in hollywood

1996 seadoo workshop manual

exposition of the bible 2vol

user manual suzuki ignis

osha safety guidelines

**upmsp list of holidays 2015**

*wiring for 1926 ford model t*

*how to become a sweet old lady instead of a grumpy old grouch*

**la charrette bleue**

how to become a problem solver

~~natures guide corn gluten~~

~~ingersoll 500 edm manual~~

**interests and rights the case against animals clarendon library of logic and philosophy**

**N2 Direct Theory Questions :**

**50 gemälde die man kennen sollte 50 die man kennen sollte** - Feb 08 2023

web von giotto di bondone dem wegbereiter der renaissance in italien bis zu david hockney der mit seinen arbeiten seit mehr als 50 jahren die heutige kunstszene prägt eröffnet

**50 künstler die man kennen sollter shop im picasso museum** - Dec 06 2022

web von der impressionismus ikone zum zeitgenössischen kunstschaaffenden der neue band aus der beliebten buchreihe porträtiert die 50 wichtigsten künstler der moderne und

50 zeitgenössische künstler die man kennen sollte - Aug 02 2022

web mit diesem buch erhält man eine Übersicht über die 50 bedeutendsten künstlerinnen die von der renaissance bis zur postmoderne tätig waren von catharina van hemessen

50 künstler die man kennen sollte 50 die man kennen sollte - May 11 2023

web die 50 spannendsten künstlerinnen und künstler unserer gegenwart und ihre wichtigsten werke zeitgenössische kunst ist unmittelbar spannend global und vielfältig dieser

**kunst die man kennen sollte gemälde skulpturen bauwerke** - Feb 25 2022

web aug 1 2023 künstler die man kennen sollte 50 die man kenn but stop stirring in harmful downloads rather than enjoying a good book taking into account a mug of coffee in the

**50 zeitgenössische künstler die man kennen sollte thalia** - Apr 10 2023

web ein wahres geschenk für alle die gemälde und bilder nicht nur betrachten wollen sondern vielmehr vieles mehr erfahren wollen an hintergründen einordnung in die epoche und

**50 kunstler die man kennen sollte 50 die man kenn pdf** - Dec 26 2021

web beschreibung was sie schon immer über kunst wissen wollten aber nie zu fragen wagten das ideale einsteigerbuch für alle kunstinteressierten die grössten

*50 künstlerinnen die man kennen sollte orell füssli* - Sep 22 2021

*50 künstlerinnen die man kennen sollte 50 die man kennen* - Jan 07 2023

web feb 29 2020 die buchreihe 50 xxx die man kennen sollte aus dem prestel verlag bietet dem neueinsteiger einen schnellen Überblick zu diversen themen zwei auf den

**50 künstler 50 zeitgenössische künstler die man kennen sollte** - Nov 05 2022

web 50 künstlerinnen die man kennen sollte enthält texte und abbildungen unter anderem zu marina abramović louise bourgeois sophie calle camille claudel isa genzken eva

*50 künstler die man kennen sollte von giotto bis* - Jul 13 2023

web beschreibung was sie schon immer über kunst wissen wollten aber nie zu fragen wagten das ideale einsteigerbuch für alle kunstinteressierten die größten

**50 kunstler die man kennen sollte 50 die man kenn download** - Nov 24 2021

web 50 die man kennen sollte band 6 50 künstlerinnen die man kennen sollte christiane weidemann petra larass melanie klier buch gebundene ausgabe

50 kunstler die man kennen sollte 50 die man kenn book - Mar 29 2022

web jun 16 2023 fünfzig amerikanische künstler die man kennen sollte debra n mancoff 2010 50 zeitgenössische künstler die man kennen sollte brad finger 2018 04 10 50

**40 kunstwerke die man kennen sollte art wine magazine** - Apr 29 2022

web kunst die man kennen sollte gemälde skulpturen bauwerke kuhl isabel lowis kristina pickeral tamsin isbn 9783791344454 kostenloser versand für alle

*50 künstler die man kennen sollte 50 die man kennen sollte* - Aug 14 2023

web mit diesem buch erhält man eine Übersicht über 50 künstler die man unbedingt kennen sollte angefangen bei giotto di bondone 1266 über rembrandt 1606 bis hin zu joan miró oder auch joseph beuys

**50 moderne künstler die man kennen sollte broschiert amazon de** - Oct 04 2022

web in prägnanten fundierten kurzessays mit lebensdaten wegweisenden kunststationen und ausgesuchten werkbeispielen werden künstler wie gerhard richter david hockney

*50 künstlerinnen die man kennen sollte thalia* - Sep 03 2022

web die 50 spannendsten künstlerinnen und künstler unserer gegenwart und ihre wichtigsten werke zeitgenössische kunst ist unmittelbar spannend global und vielfältig dieser

*50 künstler die man kennen sollte orell füssli* - Oct 24 2021

**50 künstler die man kennen sollte bücher de** - Mar 09 2023

web 50 künstlerinnen die man kennen sollte enthält texte und abbildungen unter anderem zu marina abramović louise bourgeois sophie calle camille claudel isa genzken eva

[50 künstlerinnen die man kennen sollte amazon de](#) - May 31 2022

web 50 kunstler die man kennen sollte 50 die man kenn 50 kunstler die man kennen sollte 50 die man kenn 2 downloaded from old restorativejustice org on 2021 04 22 by

*50 künstler die man kennen sollte thalia* - Jun 12 2023

web mit diesem buch erhält man eine Übersicht über 50 künstler die man unbedingt kennen sollte angefangen bei giotto di bondone 1266 über rembrandt 1606 bis hin zu joan

**50 zeitgenössische künstler die man kennen sollte** - Jul 01 2022

web apr 12 2020 wie viele dieser 40 kunstwerke kennt man wir meinen man sollte alle kennen da sie eine kunsthistorische relevanz haben testen sie sich selbst

**50 kunstler die man kennen sollte 50 die man kenn pdf** - Jan 27 2022

web if you ally need such a referred 50 kunstler die man kennen sollte 50 die man kenn books that will have the funds for you worth get the very best seller from us currently

**sparrow alone a by alicia petersen amazon com** - May 02 2023

web jan 1 2004 4 3 37 ratings see all formats and editions alicia petersen s historical fiction book a sparrow alone is set in first century jerusalem the lives of two jewish teens are changed forever by the malicious death of their parents at the hands of soldiers in roman occupied jerusalem

**a sparrow alone eichmann mim amazon com tr kitap** - Aug 05 2023

web a sparrow alone eichmann mim amazon com tr kitap Çerez tercihlerinizi seçin Çerez bildirimimizde ayrıntılı şekilde açıklandığı üzere alışveriş yapmanızı sağlamak alışveriş deneyiminizi iyileştirmek ve hizmetlerimizi sunmak için gerekli olan çerezleri ve benzer araçları kullanırız

**a sparrow alone by alicia petersen alibris** - May 22 2022

web buy a sparrow alone by alicia petersen online at alibris we have new and used copies available in 1 editions starting at 3 98 shop now

**a sparrow alone living springs publishers** - Mar 20 2022

web apr 15 2020 isbn 978 0 9657113 9 5 paperback 5 5 8 5 1890s colorado following her mother s sudden death thirteen year old hannah owens is hired as domestic help by a wealthy doctor s family in colorado springs when the doctor declares bankruptcy and abandons his family to finance his mistress pearl devere s brothel hannah is thrown

[a sparrow alone veritas press](#) - Sep 25 2022

web a sparrow alone sku 090765 8 95 add to cart seventeen year old maia is a jewish seamstress in roman occupied jerusalem her parents are dead and her brother abdon is consumed with anger both maia and abdon will be changed when they encounter jesus abdon s moment comes when he is crucified as a thief on a cross

**a sparrow alone petersen alicia amazon de bücher** - Jun 22 2022

web a sparrow alone petersen alicia isbn 9781591662044 kostenloser versand für alle bücher mit versand und verkauf duch amazon a sparrow alone petersen alicia amazon de bücher zum hauptinhalt wechseln

**a sparrow alone by mim eichmann goodreads** - Oct 07 2023

web apr 15 2020 a sparrow alone is the story of hannah owens a young girl who learns just how tough life can be in late 19th century colorado when at an early age the death of her mother leaves her with just her useless bible thumping father as her lone parent

**a sparrow alone bju press** - Feb 28 2023

web a sparrow alone about details alicia petersen s historical fiction book a sparrow alone is set in first century jerusalem the lives of two jewish teens are changed forever by the malicious death of their parents at the hands of soldiers in roman occupied jerusalem

**a sparrow alone by alicia petersen open library** - Dec 29 2022

web jun 17 2023 a sparrow alone edit saddened by the death of her parents at the hands of soldiers in roman occupied jerusalem mala a seventeen year old jewish seamstress finds no comfort from her older brother abdon who is consumed with anger until they each meet jesus of nazareth

*book review a sparrow alone by mim eichmann bookbugworld* - Jun 03 2023

web apr 15 2023 when the doctor declares bankruptcy and abandons his family to finance his mistress pearl devere s brothel however hannah is thrown into a vortex of gold mining bonanzas and busts rampant prostitution and the economic political and cultural upheavals of

**mim eichmann author a sparrow alone** - Jul 04 2023

web a sparrow alone is the first of mim eichmann s two historical fiction novels enticing the reader into the scandalous world of cripple creek co s gold mining bonanzas and busts rampant prostitution and the economic and political upheavals of

[a sparrow alone petersen alicia 1937 free download](#) - Jul 24 2022

web english 154 p 22 cm saddened by the death of her parents at the hands of soldiers in roman occupied jerusalem mala a seventeen year old jewish seamstress receives no comfort from her older brother abdon who is consumed with anger until they each meet jesus of nazareth

**alone song and lyrics by sparrow spotify** - Feb 16 2022

web listen to alone on spotify sparrow song 2018 sparrow song 2018 listen to alone on spotify sparrow song 2018 home search your library create your first playlist it s easy we ll help you create playlist let s find some podcasts to follow we ll keep you updated on new episodes

**a sparrow alone by mim eichmann paperback barnes noble** - Jan 30 2023

web 1890 s colorado desperate following her mother s sudden death thirteen year old hannah owens apprentices as domestic help with a wealthy doctor s family in colorado springs when the doctor declares bankruptcy and abandons his family to finance his mistress pearl devere s brothel however hannah is thrown into a vortex of gold mining

**sparrow alone a kindle edition amazon com** - Oct 27 2022

web dec 20 2011 sparrow alone a kindle edition alicia petersen s historical fiction book a sparrow alone is set in first century jerusalem the lives of two jewish teens are changed forever by the malicious death of their parents at the

**a sparrow alone by mim eichmann review gina rae mitchell** - Apr 01 2023

web dec 28 2020 a sparrow alone by mim eichmann is a highly entertaining historical fiction novel taking place in the 1890s world of colorado mining we learn the story of young hannah owens after the death of her mother she is sent to live and work with a wealthy family her life continues to be one disaster after another

**sparrow alone a by alicia petersen goodreads** - Aug 25 2022

web 99 ratings15 reviews want to read kindle 6 99 rate this book saddened by the death of her parents at the hands of soldiers in roman occupied jerusalem mala a seventeen year old jewish seamstress finds no comfort from her older brother abdon who is consumed with anger until they each meet jesus of nazareth

[a free unit study for a sparrow alone free homeschooling](#) - Apr 20 2022

web alicia petersen s historical fiction book a sparrow alone is set in first century jerusalem the lives of two jewish teens are changed forever by the malicious death of their parents at the hands of soldiers in roman occupied jerusalem

[a sparrow alone homeschool](#) - Nov 27 2022

web alicia petersen s historical fiction book a sparrow alone is set in first century jerusalem the lives of two jewish teens are changed forever by the malicious death of their parents at the hands of soldiers in roman occupied jerusalem

*a sparrow alone kindle edition amazon com* - Sep 06 2023

web apr 15 2020 a sparrow alone kindle edition by eichmann mim download it once and read it on your kindle device pc phones or tablets use features like bookmarks note taking and highlighting while reading a sparrow alone

*50 workouts beweglichkeit von katharina brinkmann scribd* - Jul 13 2023

web lesen sie 50 workouts beweglichkeit von katharina brinkmann mit einer kostenlosen testversion lesen sie millionen von ebooks und hörbüchern im internet mit ipad iphone und android



**50 workouts beweglichkeit dehnen schwingen und rollen die** - Mar 29 2022

web 50 workouts beweglichkeit dehnen schwingen und rollen die besten übungsreihen by katharina brinkmann beweglichkeit dehnen schwingen und rollen die besten may 26th 2020 50 workouts beweglichkeit dehnen schwingen und rollen die besten übungsreihen ultimate cross training wod list mit mehr als 1 000 wod s 50 workouts

**50 workouts beweglichkeit dehnen schwingen und rollen die** - Apr 29 2022

web may 28 2023 50 workouts beweglichkeit dehnen schwingen und rollen die besten übungsreihen by katharina brinkmann 50 workouts beweglichkeit dehnen schwingen und rollen die besten übungsreihen ultimate cross training wod list mit mehr als 1 000 wod s 50 workouts fit in 7 minuten einfach effektiv hochintensiv

**50 workouts beweglichkeit dehnen schwingen und ro** - Jul 01 2022

web without difficulty as sharpness of this 50 workouts beweglichkeit dehnen schwingen und ro can be taken as capably as picked to act foligatto nicolas de crécy 2014 03 27 the first work by eisner nominated artist nicolas de crécy is the lyrical and hauntingly beautiful tale of a tormented opera singer encouragement makes good things happen

50 workouts beweglichkeit dehnen schwingen und rollen die - Nov 05 2022

web 50 workouts beweglichkeit dehnen schwingen und rollen die besten übungsreihen by katharina brinkmann 50 workouts beweglichkeit dehnen schwingen und rollen die besten übungsreihen by katharina brinkmann mit diesen work outs bleiben sie auch zu hause fit krone at 50 workouts beweglichkeit katharina brinkmann

*50 workouts beweglichkeit dehnen schwingen und rollen* - Sep 15 2023

web 50 workouts beweglichkeit dehnen schwingen und rollen die besten Übungsreihen brinkmann katharina isbn 9783742310262 kostenloser versand für alle bücher mit versand und verkauf duch amazon

**50 workouts beweglichkeit dehnen schwingen und rollen die** - Oct 04 2022

web jun 5 2023 50 workouts beweglichkeit dehnen schwingen und rollen die besten übungsreihen by katharina brinkmann mit freundlicher unterstützung der autorin katharina brinkmann und des riva verlagel stelle ich euch heute das buch 50 workouts beweglichkeit dehnen schwingen und rollen die besten übungsreihen vor in

**50 workouts beweglichkeit dehnen schwingen und ro** - Jan 27 2022

web 50 workouts beweglichkeit dehnen schwingen und ro 50 workouts beweglichkeit dehnen schwingen und ro 4 downloaded from old restorativejustice org on 2020 04 02 by guest anne e becker examines the cultural context of the embodied self through her ethnography of bodily aesthetics food exchange care and social relationships in fiji

**50 workouts beweglichkeit dehnen schwingen und rollen** - May 11 2023

web beweglichkeit ist neben kraft und ausdauer eine weitere grundvoraussetzung für einen gesunden und fitten körper mit diesen 50 workouts zeigt katharina brinkmann mit dehn mobilisations und schwungübungen wie nicht nur gelenke

beweglicher sondern auch muskeln faszien und bänder wieder elastischer und flexibler werden

**beweglichkeit das comeback des beweglichkeitstrainings** - Jan 07 2023

web nov 13 2019 50 workouts beweglichkeit dehnen schwingen und rollen die besten Übungsreihen unser buchtipp zum thema beweglichkeit ist neben kraft und ausdauer eine weitere grundvoraussetzung für einen gesunden und fitten körper

50 workouts beweglichkeit dehnen schwingen und rollen die - Jun 12 2023

web jun 4 2023 medientipp 50 workouts beweglichkeit dehnen 50 workouts beweglichkeit ebook jetzt bei weltbild at katharina brinkmann 50 besten trainingseinheiten test wasserlebnis

**50 workouts beweglichkeit dehnen schwingen und rollen die** - Mar 09 2023

web may 30 2023 die 50 workouts die alle zwischen 15 und 45 minuten dauern dehnen schwingen und rollen beweglichkeit ist neben kraft und ausdauer eine weitere grundvoraussetzung für einen gesunden und 50 workouts beweglichkeit dehnen

schwingen und rollen die besten übungsreihen ebook brinkmann

*dehnen Übungen für jeden tag stiftung gesundheitswissen* - Sep 03 2022

web dehnübungen sollen helfen die beweglichkeit zu verbessern lesen sie hier wie sie am besten mit dem dehnen anfangen und probieren sie unsere Übungen aus dehnen kennen viele als aufwärmübung vor dem sport tatsächlich scheint das dehnen aber nur bedingt einfluss auf die sportliche leistung zu haben

**50 workouts beweglichkeit dehnen schwingen und rollen die** - Apr 10 2023

web jun 3 2023 this 50 workouts beweglichkeit dehnen schwingen und rollen die besten übungsreihen by katharina brinkmann as one of the greater part running sellers here will thoroughly be accompanied by by the best possibilities to review if you ally habit such a referred 50 workouts beweglichkeit dehnen schwingen und rollen die besten

*50 workouts beweglichkeit dehnen schwingen und ro* - Feb 08 2023

web 50 workouts beweglichkeit dehnen schwingen und ro the modern art and science of mobility jun 01 2023 the modern art and science of mobility explains and illustrates more than 300 exercises designed to improve recovery reduce pain improve mobility and activate muscles beweglichkeit durch dehnen faszienmassage und mobility training

**50 workouts beweglichkeit dehnen schwingen und ro** - May 31 2022

web 50 workouts beweglichkeit dehnen schwingen und ro 3 3 und fitten körper mit diesen 50 workouts zeigt katharina brinkmann mit dehn mobilisations und schwungübungen wie nicht nur gelenke beweglicher sondern auch muskeln faszien und bänder wieder elastischer und flexibler werden mit gezielten Übungsreihen für einzelne

**pdf 50 workouts beweglichkeit dehnen schwingen und ro** - Dec 06 2022

web 50 workouts beweglichkeit dehnen schwingen und ro rückertraining mit theraband und pezziball Übungen für einen gesunden rücken apr 25 2020 nie mehr rücken endlich schmerzfrei mit fitnessband und gymnastikball mit diesem sportbuch

gehören rüchenschmerzen der vergangenheit an diplomsportlehrerin und

**50 workouts beweglichkeit dehnen schwingen und ro** - Aug 02 2022

web 50 workouts beweglichkeit stretching anatomie des stretchings 50 workouts gegen schulter und nackenschmerzen 50 workouts schlingentraining 50 workouts beweglichkeit 50 workouts mit faszienrolle und ball stretching bibel gruß vom fuß stretch stretching zurück zur beweglichkeit 50 workouts zum abnehmen stretching

*50 workouts beweglichkeit dehnen schwingen und ro copy* - Feb 25 2022

web mit diesen 50 workouts zeigt katharina brinkmann mit dehn mobilisations und schwungübungen wie nicht nur gelenke beweglicher sondern auch muskeln faszien und bänder wieder elastischer und flexibler werden

**50 workouts beweglichkeit dehnen schwingen und rollen die** - Aug 14 2023

web jun 26 2023 50 workouts beweglichkeit dehnen schwingen und rollen die besten übungsreihen by katharina brinkmann more yogalehrerin und hat sich als gruppentrainerin im bereich faszien und beweglichkeit spezialisiert