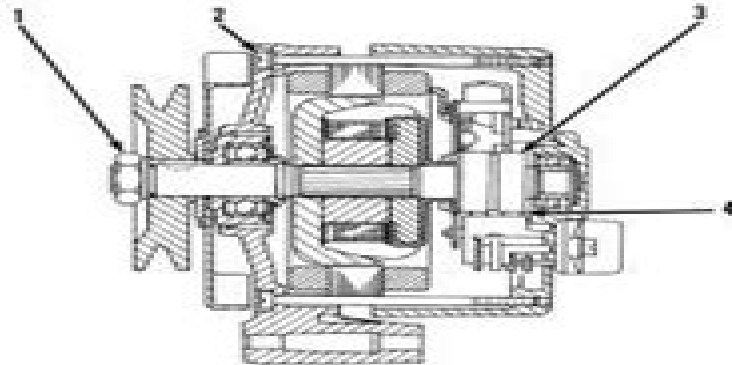


Specifications

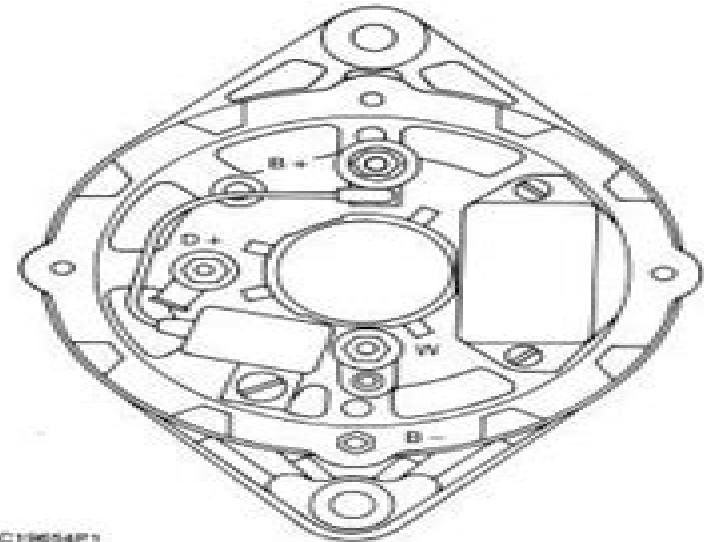
Alternator

Bosch Alternator Coverage Chart			
Caterpillar Part Number	Model Number	Voltage	Amperage
8C5535	K1	12	32
7T2876	K1	12	55
3E7295	K1	12	55
9X0041	K1	12	90
9W3043	N1	24	52
2Y4212	K1	24	17
2Y8310	K1	24	21



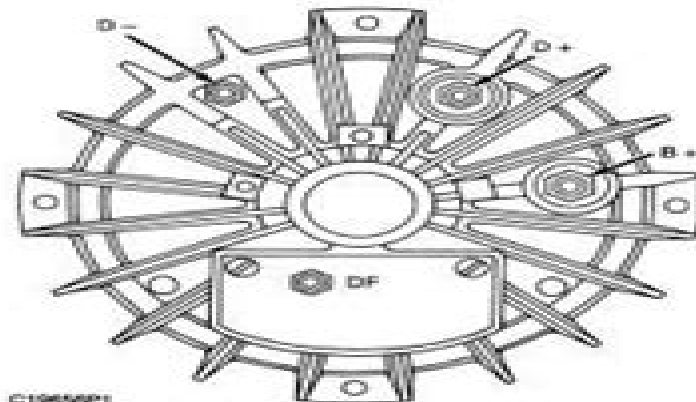
C19654P1

8C5535, 7T2876, 2Y4212 And 2Y8310 Alternators Sectional View



C19654P1

8C5535, 7T2876, 2Y4212 And 2Y8310 Alternators End View



C19655P1

8C5535, 7T2876, 2Y4212 And 2Y8310 Alternators Enclosed End View

Bosch Alternator Service Manual

Robert Bentley, inc



Bosch Alternator Service Manual:

Motor Auto Repair Manual, 1982-1988 Motor,1987 This latest edition of the bestselling Auto Repair Manual covers more than 1 900 models of domestic cars from 1982 1988 and includes more than 55 000 essential service specifications and repair facts as well as 2 500 diagrams cutaways and quick check spec charts Illustrated **Motor Auto Repair Manual**,1979 Volvo 240 Service Manual 1983 Through 1993 Bentley Publishers,1993 Vehicle Maintenance Chilton's Auto Repair Manual 1982 Alan F. Turner,1981 Light Utility Tractor Service Manual ,1975 *Chilton's Auto Repair Manual 1981-1988* Chilton Automotive Books,1988 The auto repair manual that do it yourselfers have relied on to save money now covers 1981 88 domestic cars This updated edition covers Detroit s newest models including the new Chrysler TC Chevrolet Corsica and Pontiac LeMans The most asked for book of its kind More than 3 000 illustrations **Chilton's Auto Repair Manual 1986** Chilton Book Company,1985 **Chilton's Auto Repair Manual, 1988-1992** Jeff S. Chilton,Chilton Book Company,1991 Information on repair replacement and adjustment for major components of American cars mass produced between 1988 and 1992 *Volkswagen Fox Service Manual* Robert Bentley, inc,Bentley Publishers,2003-04 Bentley Publishers is the exclusive factory authorized publisher of Volkswagen Service Manuals in the United States and Canada In every manual we provide full factory repair procedures specifications tolerances electrical wiring diagrams and lubrication and maintenance information Bentley manuals are the only complete authoritative source of Volkswagen maintenance and repair information Even if you never intend to service your car yourself you ll find that owning a Bentley Manual will help you to discuss repairs more intelligently with your service technician Chilton's Auto Repair Manual, 1983 Chilton Automotive Books,1982 Guide to maintenance and repair of every mass produced American car made between 1976 and 1983

Volkswagen Rabbit, Scirocco Service Manual, 1975/1976/1977/1978/1979 Gasoline Models ,1982 *Chilton's Repair Manual* Chilton Book Company. Automobile Editorial Department,1989 **Saab 900, 16 Valve Official Service Manual, 1985-1993** Bentley,Bentley Publishers,1993 These official Saab manuals are the only factory authorized comprehensive single source of service information and specifications available Whether you re a professional technician or a do it yourselfer these manuals will help you understand care for and repair your Saab Everything from fundamental automotive concepts and maintenance procedures to complex electrical system troubleshooting and complete engine overhaul is clearly explained Critical updates and information from the Saab Service Information Manual the Parts Service Information System and Saab Service Training have been included as well as fast proven repair procedures and tips used by Saab technicians *Chilton's Chrysler/Dodge/Plymouth Repair Manual, 1981-88* ,1989 These manuals provide comprehensive repair and maintenance information on all makes and model years as indicated for each manufacturer For consumers who stick to one make of car this series will provide multi vehicle information For retailers with limited shelf space this series provides model specific coverage in only five volumes Volkswagen GTI Golf-Jetta Service Manual,

1985-1992 Robert Bentley, inc,1992 New information covers the 2 0 liter 16V engine ABS troubleshooting service CIS E Motronic fuel injection Digifant I fuel injection with On Board Diagnosis ECO Diesel full manual transaxle rebuilding procedures A special Fundamentals section has been added to the beginning of the manual to help the owner understand the basics of automotive systems repair procedures The most comprehensive Golf manual available **Chilton's Auto Repair Manual** ,1993 Each edition includes information for that year and several previous years *Volkswagen Rabbit/Jetta Diesel Service Manual, Including Pickup Truck and Turbo-diesel, 1977, 1978, 1979, 1980, 1981, 1982, 1983, 1984* Robert Bentley, inc,1984 Everything you need to troubleshoot service repair the diesel engine its direct cylinder fuel injection system This manual is just as thorough as our other two Rabbit Jetta Scirocco Pickup Truck service manuals but focuses exclusively on diesel models We eliminated information covering the gasoline engine fuel injection other subjects that don t apply to diesel engine models Removing this potentially confusing material allows us to cover particular features of the diesel models in greater depth You ll find testing troubleshooting repair steps for everything from diesel fuel injection adjustment to the oil cooler used on models with automatic transmission or Turbo Diesel engines **Chilton's Repair Manual** Richard J. Rivele,1991 **Chilton Auto Repair Manual, 1980** Chilton Automotive Editorial Staff,Chilton Book Company,1979 Snowmobile Service Manual Intertec Publishing Corporation. Technical Publications Division,1971

Uncover the mysteries within is enigmatic creation, **Bosch Alternator Service Manual** . This downloadable ebook, shrouded in suspense, is available in a PDF format (*). Dive into a world of uncertainty and anticipation. Download now to unravel the secrets hidden within the pages.

https://auld.rmjm.com/book/virtual-library/Download_PDFS/Key_Of_The_Chest.pdf

Table of Contents Bosch Alternator Service Manual

1. Understanding the eBook Bosch Alternator Service Manual
 - The Rise of Digital Reading Bosch Alternator Service Manual
 - Advantages of eBooks Over Traditional Books
2. Identifying Bosch Alternator Service Manual
 - Exploring Different Genres
 - Considering Fiction vs. Non-Fiction
 - Determining Your Reading Goals
3. Choosing the Right eBook Platform
 - Popular eBook Platforms
 - Features to Look for in an Bosch Alternator Service Manual
 - User-Friendly Interface
4. Exploring eBook Recommendations from Bosch Alternator Service Manual
 - Personalized Recommendations
 - Bosch Alternator Service Manual User Reviews and Ratings
 - Bosch Alternator Service Manual and Bestseller Lists
5. Accessing Bosch Alternator Service Manual Free and Paid eBooks
 - Bosch Alternator Service Manual Public Domain eBooks
 - Bosch Alternator Service Manual eBook Subscription Services
 - Bosch Alternator Service Manual Budget-Friendly Options
6. Navigating Bosch Alternator Service Manual eBook Formats

- ePub, PDF, MOBI, and More
- Bosch Alternator Service Manual Compatibility with Devices
- Bosch Alternator Service Manual Enhanced eBook Features
- 7. Enhancing Your Reading Experience
 - Adjustable Fonts and Text Sizes of Bosch Alternator Service Manual
 - Highlighting and Note-Taking Bosch Alternator Service Manual
 - Interactive Elements Bosch Alternator Service Manual
- 8. Staying Engaged with Bosch Alternator Service Manual
 - Joining Online Reading Communities
 - Participating in Virtual Book Clubs
 - Following Authors and Publishers Bosch Alternator Service Manual
- 9. Balancing eBooks and Physical Books Bosch Alternator Service Manual
 - Benefits of a Digital Library
 - Creating a Diverse Reading Collection Bosch Alternator Service Manual
- 10. Overcoming Reading Challenges
 - Dealing with Digital Eye Strain
 - Minimizing Distractions
 - Managing Screen Time
- 11. Cultivating a Reading Routine Bosch Alternator Service Manual
 - Setting Reading Goals Bosch Alternator Service Manual
 - Carving Out Dedicated Reading Time
- 12. Sourcing Reliable Information of Bosch Alternator Service Manual
 - Fact-Checking eBook Content of Bosch Alternator Service Manual
 - Distinguishing Credible Sources
- 13. Promoting Lifelong Learning
 - Utilizing eBooks for Skill Development
 - Exploring Educational eBooks
- 14. Embracing eBook Trends
 - Integration of Multimedia Elements
 - Interactive and Gamified eBooks

Bosch Alternator Service Manual Introduction

In today's digital age, the availability of Bosch Alternator Service Manual books and manuals for download has revolutionized the way we access information. Gone are the days of physically flipping through pages and carrying heavy textbooks or manuals. With just a few clicks, we can now access a wealth of knowledge from the comfort of our own homes or on the go. This article will explore the advantages of Bosch Alternator Service Manual books and manuals for download, along with some popular platforms that offer these resources. One of the significant advantages of Bosch Alternator Service Manual books and manuals for download is the cost-saving aspect. Traditional books and manuals can be costly, especially if you need to purchase several of them for educational or professional purposes. By accessing Bosch Alternator Service Manual versions, you eliminate the need to spend money on physical copies. This not only saves you money but also reduces the environmental impact associated with book production and transportation. Furthermore, Bosch Alternator Service Manual books and manuals for download are incredibly convenient. With just a computer or smartphone and an internet connection, you can access a vast library of resources on any subject imaginable. Whether you're a student looking for textbooks, a professional seeking industry-specific manuals, or someone interested in self-improvement, these digital resources provide an efficient and accessible means of acquiring knowledge. Moreover, PDF books and manuals offer a range of benefits compared to other digital formats. PDF files are designed to retain their formatting regardless of the device used to open them. This ensures that the content appears exactly as intended by the author, with no loss of formatting or missing graphics. Additionally, PDF files can be easily annotated, bookmarked, and searched for specific terms, making them highly practical for studying or referencing. When it comes to accessing Bosch Alternator Service Manual books and manuals, several platforms offer an extensive collection of resources. One such platform is Project Gutenberg, a nonprofit organization that provides over 60,000 free eBooks. These books are primarily in the public domain, meaning they can be freely distributed and downloaded. Project Gutenberg offers a wide range of classic literature, making it an excellent resource for literature enthusiasts. Another popular platform for Bosch Alternator Service Manual books and manuals is Open Library. Open Library is an initiative of the Internet Archive, a non-profit organization dedicated to digitizing cultural artifacts and making them accessible to the public. Open Library hosts millions of books, including both public domain works and contemporary titles. It also allows users to borrow digital copies of certain books for a limited period, similar to a library lending system. Additionally, many universities and educational institutions have their own digital libraries that provide free access to PDF books and manuals. These libraries often offer academic texts, research papers, and technical manuals, making them invaluable resources for students and researchers. Some notable examples include MIT OpenCourseWare, which offers free access to course materials from the Massachusetts Institute of Technology, and the Digital Public Library of America, which provides a vast collection of digitized books and historical documents. In conclusion, Bosch Alternator Service Manual books

and manuals for download have transformed the way we access information. They provide a cost-effective and convenient means of acquiring knowledge, offering the ability to access a vast library of resources at our fingertips. With platforms like Project Gutenberg, Open Library, and various digital libraries offered by educational institutions, we have access to an ever-expanding collection of books and manuals. Whether for educational, professional, or personal purposes, these digital resources serve as valuable tools for continuous learning and self-improvement. So why not take advantage of the vast world of Bosch Alternator Service Manual books and manuals for download and embark on your journey of knowledge?

FAQs About Bosch Alternator Service Manual Books

1. Where can I buy Bosch Alternator Service Manual books? Bookstores: Physical bookstores like Barnes & Noble, Waterstones, and independent local stores. Online Retailers: Amazon, Book Depository, and various online bookstores offer a wide range of books in physical and digital formats.
2. What are the different book formats available? Hardcover: Sturdy and durable, usually more expensive. Paperback: Cheaper, lighter, and more portable than hardcovers. E-books: Digital books available for e-readers like Kindle or software like Apple Books, Kindle, and Google Play Books.
3. How do I choose a Bosch Alternator Service Manual book to read? Genres: Consider the genre you enjoy (fiction, non-fiction, mystery, sci-fi, etc.). Recommendations: Ask friends, join book clubs, or explore online reviews and recommendations. Author: If you like a particular author, you might enjoy more of their work.
4. How do I take care of Bosch Alternator Service Manual books? Storage: Keep them away from direct sunlight and in a dry environment. Handling: Avoid folding pages, use bookmarks, and handle them with clean hands. Cleaning: Gently dust the covers and pages occasionally.
5. Can I borrow books without buying them? Public Libraries: Local libraries offer a wide range of books for borrowing. Book Swaps: Community book exchanges or online platforms where people exchange books.
6. How can I track my reading progress or manage my book collection? Book Tracking Apps: Goodreads, LibraryThing, and Book Catalogue are popular apps for tracking your reading progress and managing book collections. Spreadsheets: You can create your own spreadsheet to track books read, ratings, and other details.
7. What are Bosch Alternator Service Manual audiobooks, and where can I find them? Audiobooks: Audio recordings of books, perfect for listening while commuting or multitasking. Platforms: Audible, LibriVox, and Google Play Books offer a wide selection of audiobooks.

8. How do I support authors or the book industry? Buy Books: Purchase books from authors or independent bookstores. Reviews: Leave reviews on platforms like Goodreads or Amazon. Promotion: Share your favorite books on social media or recommend them to friends.
9. Are there book clubs or reading communities I can join? Local Clubs: Check for local book clubs in libraries or community centers. Online Communities: Platforms like Goodreads have virtual book clubs and discussion groups.
10. Can I read Bosch Alternator Service Manual books for free? Public Domain Books: Many classic books are available for free as they're in the public domain. Free E-books: Some websites offer free e-books legally, like Project Gutenberg or Open Library.

Find Bosch Alternator Service Manual :

key of the chest

~~business studies september controlled test paper 25 2014~~

novel star answer key algebra 2

~~1989 chevy s10 repair manual 3575~~

network plus certification study guide

metes bounds ii david crews ancestors descendants volume 2

non religious devotional for a meeting

manual bombardier learjet 45

how to survive and make money in the coming real estate crunch

1994 jeep gr cherokee wiring diagram

link belt rtc8030 specifications and capacities 114391

elasticity robert william soutas little

mathematics memorandum for november 2014 grade 9

manual alfa romeo 159 sw

business studies study guide grade 11

Bosch Alternator Service Manual :

doctor of veterinary medicine st george s university - Jan 08 2023

web earn a veterinary medicine degree with global reach st george s university launched the school of veterinary medicine in

1999 to deliver quality medical education in an international setting and to be one of the top veterinary schools in the world
veterinary medicine surgery bvms the university of glasgow - Feb 09 2023

web programme structure purpose and goals the bvms programme is based on integration of clinical and science subject areas and is delivered using a range of teaching methods the spi

[veterinary specialties wikipedia](#) - Mar 30 2022

web as of 2021 the avma recognizes 41 distinct veterinary specialties from 22 veterinary specialty organizations including the american college of veterinary anesthesia and analgesia american college of veterinary surgeons and

[bachelor of veterinary sciences english apply study in universities](#) - Jun 01 2022

web 500 800 euros per month job opportunities part time jobs for students are competitive throughout the town these part time jobs usually pay from 300 to 500 euros depending on the type of work funding opportunities within the university

universities usually offer part time opportunities to students who constantly excel academically

best veterinary courses certifications 2023 coursera online - Nov 06 2022

web 15 results for veterinary free c the university of edinburgh animal behaviour and welfare 4 8 4 8k reviews mixed course

1 3 months free c the university of edinburgh edivet do you have what it takes to be a veterinarian

list of top 54 universities in turkey offering bachelor of veterinary - Dec 07 2022

web 54 top universities colleges in turkey for bachelor of veterinary medicine course degree know tuition fees duration

bachelor of veterinary medicine course duration in turkey students

[veterinary medicine undergraduate study](#) - Jun 13 2023

web cambridge offers a world class opportunity to study the scientific basis of veterinary medicine and clinical veterinary science our course provides the fundamental building blocks on which to develop and excel in any veterinary field

qs world university rankings for veterinary science 2022 - Mar 10 2023

web find out which universities are the best in the world for veterinary science in the qs world university rankings by subject 2022 discover the world s top universities for veterinary science 2022 explore the qs world university rankings by subject

2022 in various disciplines

İstanbul Üniversitesi veteriner fakültesi dergisi doaj - Apr 11 2023

web oct 8 2015 lcc subjects look up the library of congress classification outline agriculture animal culture veterinary medicine keywords veterinary clinical science animal welfare food science and technology veterinary

veterinary clinical subjects upvetuniv edu in - Dec 27 2021

web histology veterinary animal husbandry extension biochemistry and physiology 2veterinary para clinical sciences microbiology parasitology pathology pharmacology toxicology public health and 3veterinary clinical sciences animal

reproduction gynaecology obstetrics clinical medicine ethics jurisprudence epidemiology

veterinary science jcu australia james cook university - Jan 28 2022

web as a veterinary science graduate you can work as a veterinarian in veterinary clinics veterinary hospitals agriculture biosecurity quarantine public health zoos and wildlife sanctuaries graduates can also pursue research in clinical care animal science pharmacology and biomedicine

veterinary clinical sciences - Jul 02 2022

web 1 s prereq first year classification in veterinary medicine or with permission of instructor an elective course designed to educate the veterinary student about issues of relevance to companion animal population and shelter medicine and welfare v c s 311 veterinarian in society i cr r f

royal veterinary college rvc - Aug 03 2022

web aug 30 2023 the rvc is a veterinary school in london uk which provides undergraduate and postgraduate teaching in veterinary medicine science and nursing research and scholarship and clinical services to

veterinerlik bölümünün bulunduğu Üniversiteler hangi - Feb 26 2022

web veterinerlik lisans bölümünün bulunduğu Üniversiteleri bu sayfa üzerinden görebilir tıklayıp bölümün detay bilgilerine ulaşabilirsiniz

department of physiology veteriner fakültesi - May 12 2023

web the department of physiology at faculty of veterinary medicine is located in the diskapi campus of ankara university as of october 2015 the department has 4 professors 2 associate professor 3 research associates 6 phd students and 4 msc students the main research subjects of the department are rumen physiology antioxidative metabolism

veterinary science study at bristol university of bristol - Jul 14 2023

web bristol is ranked in the world s top 20 universities for veterinary science qs world university rankings by subject 2023 extensive onsite facilities our vet school campus is home to a small animal referral hospital a modern dairy farm wet labs and award winning clinical skills laboratory

journal of istanbul veterinary sciences submission analysis - Sep 04 2022

web aug 31 2021 adoukonou v 2019 strategies for small business sustainability phd thesis walden university college of management and technology minnesota usa avma american veterinary medical association 2018

the dvm curriculum cornell university college of veterinary - Aug 15 2023

web the dvm graduate will demonstrate 1 an understanding of the scientific principles underlying veterinary medicine 2 the basic clinical skills and attitudes necessary to care for the common domestic animals and other species entrusted to our stewardship 3 critical thinking as evidenced by successful problem solving 4

veterinary medicine preston uclan university of central - Apr 30 2022

web want to become a vet in the uk we offer degrees in veterinary medicine surgery bio veterinary science clinical practice in the north west learn more

veterinary science degrees top universities - Oct 05 2022

web thinking of pursuing a veterinary science degree from course structure and entry requirements to specializations and career options this guide will help you learn everything important about veterinary science

amazon fr catwoman comics - Oct 14 2022

catwoman tome 4 de noccenti ann et sandoval rafa 4 0 4 0 sur 5 étoiles 7 relié

catwoman tome 4 bd au meilleur prix e leclerc - Apr 08 2022

jun 11 2015 catwoman tome 4 bd achat en ligne au meilleur prix sur e leclerc retrait gratuit dans de 700 magasins

catwoman tome 4 la main au collet de ann nocenti decitre - Aug 12 2022

jun 12 2015 engagée dans une guerre contre les pires gangsters de la ville catwoman met une fois de plus ses plus proches alliés en danger pour sauver l un d entre eux elle devra s aventurer dans les sinistres labyrinthes de la cité et affronter ce qui jusqu alors demeurait méconnu de tous

livres catwoman fnac - Mar 19 2023

catwoman tome 4 ed brubaker présente catwoman tome 4 comics cartonné tome 4

catwoman tome 4 urban comics - May 21 2023

catwoman tome 4 les rues de gotham sont inquiétantes mais ce qui rampe sous ses rues pavées l est encore davantage engagée dans une guerre contre les pires gangsters de la ville catwoman met une fois de plus ses plus proches alliés en danger

catwoman tome 4 by noccenti ann goodreads - Jul 11 2022

read reviews from the world s largest community for readers tome 4 la main au collet les rues de gotham sont inquiétantes mais ce qui rampe sous ses

catwoman tome 4 catwoman tome 4 rafa sandoval - Sep 25 2023

jun 12 2015 résumé les rues de gotham sont inquiétantes mais ce qui rampe sous ses rues pavées l est encore davantage engagée dans une guerre contre les pires gangsters de la ville catwoman met une fois de plus ses plus proches alliés en danger

catwoman vol 4 jones joelle amazon com tr kitap - Sep 13 2022

catwoman vol 4 jones joelle amazon com tr kitap Çerez tercihlerinizi seçin Çerez bildirimimizde ayrıntılı şekilde açıklandığı üzere alışveriş yapmanızı sağlamak alışveriş deneyiminizi iyileştirmek ve hizmetlerimizi sunmak için

catwoman vol 4 come home alley cat by ram v goodreads - Mar 07 2022

feb 23 2021 3 52 278 ratings 43 reviews in the aftermath of the joker war selina kyle has taken up residence in alleytown but when she finds that her old stomping grounds have been taken over by drug running mobsters she hatches a plan to take the town back

catwoman tome 4 noccenti ann sandoval rafa amazon fr - Aug 24 2023

engagée dans une guerre contre les pires gangsters de la ville catwoman met une fois de plus ses plus proches alliés en danger pour sauver l'un d'entre eux elle devra s'aventurer dans les sinistres labyrinthes de la cité et affronter ce qui jusqu'alors demeurait méconnu de tous

catwoman tome 4 livres comics par rafa sandoval ann - Dec 16 2022

jun 12 2015 comics catwoman de urban comics de rafa sandoval ann noccenti sur le 9e store catwoman tome 4 livres comics par rafa sandoval ann noccenti chez urban comics à l'achat dans la série catwoman sur 9e store

batman catwoman bd 4 von 4 amazon com tr - Feb 06 2022

arama yapmak istediğiniz kategoriye seçin

catwoman tome 4 ann nocenti babelio - Jul 23 2023

jun 12 2015 ce quatrième tome amène catwoman dans les sous sols de gotham si elle sort des sentiers battus ce n'est pas pour se reposer car dans ce monde souterrain une lutte pour le pouvoir fait rage entre les différentes factions

ed brubaker présente catwoman tome 4 ed brubaker présente catwoman - Jun 10 2022

ed brubaker présente catwoman tome 4 ed brubaker présente catwoman 4 brubaker ed stewart cameron amazon com tr kitap

catwoman ed brubaker présente tome 4 l'équipée sauvage - Nov 15 2022

selina et son amie holly semblent retrouver un semblant de paix après les traumatismes subis précédemment mais l'accalmie est de courte durée catwoman croisera dans ce tome le chemin d'autres membres de la justice league comme hawkman hawkgirl et quelques autres contient les épisodes 20 24

catwoman tome 4 gotham underground ann nocenti babelio - Jun 22 2023

jun 3 2014 critiques citations extraits de catwoman tome 4 gotham underground de ann nocenti ce tome fait suite à death of the family épisodes 13 à 18 et 0 il

catwoman vol 4 come home alley cat tp reviews league - Apr 20 2023

collects catwoman 14 15 and 22 28 format trade paperback page count 248 pages cover price 19 99 isbn 9781779504517 distributor sku 1120dc085

catwoman fnac - Jan 17 2023

nos experts vous parlent de catwoman les groupes dc la liste de tous les jeux vidéo réunissant plusieurs héros entre 2008 et 2021 pas moins de 10 jeux reprenant différents héros dc sont sortis

catwoman tome 4 bdfugue - May 09 2022

résumé les rues de gotham sont inquiétantes mais ce qui rampe sous ses rues pavées l est encore davantage engagée dans une guerre contre les pires gangsters de la ville catwoman met une fois de plus ses plus proches alliés en danger

catwoman tome 4 la main au collet bd et humour rakuten - Feb 18 2023

jul 12 2015 catwoman tome 4 la main au collet pas cher retrouvez tous les produits disponibles à l achat dans notre catégorie bd et humour

tales of henry james norton critical editions by james henry - Nov 26 2022

web tales of henry james norton critical editions by james henry wegelin christof wonham henry b 2003 paperback books amazon ca

james h tales of henry james the texts of the tales the - May 21 2022

web james h tales of henry james the texts of the tales the author on his craft criticism norton critical editions band 0 james henry wegelin christof wonham henry b isbn 9780393977103 kostenloser versand für alle bücher mit versand und verkauf duch amazon

tales of henry james norton critical editions 2nd edition by james - Feb 27 2023

web vdomdhtmlml tales of henry james norton critical editions 2nd edition by james henry 2002 paperback on amazon com free shipping on qualifying offers tales of henry james norton critical editions 2nd edition by

tales of henry james norton critical editions softcover - Jan 29 2023

web nine of james s most important tales including new to the second edition in the cage a tale that engages james s complicated attitudes toward gender class and the rise of information technology

tales of henry james norton critical editions by henry james - Oct 26 2022

web tales of henry james norton critical editions by henry james 2002 11 21 on amazon com free shipping on qualifying offers

tales of henry james norton critical editions by henry james 2002 11 21

tales of henry james norton critical editions amazon com - Aug 04 2023

web nov 21 2002 tales of henry james norton critical editions james henry wegelin christof wonham henry b 9780393977103 amazon com books books

tales of henry james norton critical editions goodreads - Sep 05 2023

web henry james henry b wonham christof wegelin 3 91 387 ratings28 reviews the author on his craft again reprints james s critical essay the art of fiction and related passages from his notebooks including a new passage on in the cage

tales of henry james by henry james used 9780393977103 - Sep 24 2022

web buy tales of henry james a norton critical edition by henry james available in used condition with free delivery in the uk
isbn 9780393977103 isbn 10 0393977102

tales of henry james 2e the texts of the tales the author on - May 01 2023

web buy tales of henry james 2e the texts of the tales the author on his craft criticism 0 norton critical editions by james
henry wegelin christof wonham henry b from amazon s fiction books store everyday low prices on

tales of henry james 2e a norton critical edition 0 abebooks - Mar 19 2022

web tales of henry james 2e a norton critical edition 0 norton critical editions by james henry wegelin christof wonham henry
b isbn 10 0393977102 isbn 13 9780393977103 w w norton company 2003 softcover

tales of henry james norton critical editions amazon com tr - Jul 03 2023

web tales of henry james norton critical editions james henry wegelin christof wonham henry b amazon com tr kitap

tales of henry james norton critical editions amazon com - Jun 02 2023

web aug 1 1984 tales of henry james norton critical editions 2nd edition by james henry 2002 paperback 26 93 in stock

these nine tales represent the major dimensions of the short fiction james wrote in the course of thirty years

tales of henry james norton critical editions by james henry - Dec 28 2022

web buy tales of henry james norton critical editions by james henry wegelin christof wonham henry b 2003 paperback by
from amazon s fiction books store everyday low prices on a huge range of new releases and classic fiction

tales of henry james norton critical editions dbl library - Jun 21 2022

web criticism has been entirely updated and includes ten new essays by critics who during the last twenty five years have
helped to establish the lines of debate about james s tales an updated selected bibliography is also included

tales of henry james a norton critical edition edition 2 - Mar 31 2023

web nov 21 2002 recently viewed nine of james s most important tales including new to the second edition in the cage a tale
that engages james s complicated attitudes toward gender class and the rise of information technology

tales of henry james a norton critical edition 0 james henry - Feb 15 2022

web tales of henry james a norton critical edition 0 james henry wegelin christof wonham henry b amazon sg books

tales of henry james norton critical edition librarything - Aug 24 2022

web the author on his craft again reprints james s critical essay the art of fiction and related passages from his notebooks
including a new passage on in the cage criticism has been entirely updated and includes ten new essays by critics who during
the last twenty five years have helped to establish the lines of debate about james s tales

tales of henry james norton critical editions ef library tinycat - Jul 23 2022

web may 22 2023 criticism has been entirely updated and includes ten new essays by critics who during the last twenty five years have helped to establish the lines of debate about james s tales an updated selected bibliography is also included
norton critical editions w w norton company ltd - Apr 19 2022

web the norton critical editions three part format annotated text contexts and criticism helps students to better understand analyse and appreciate the literature while opening a wide range of teaching possibilities for instructors

tales of henry james w w norton company - Oct 06 2023

web nine of james s most important tales including new to the second edition in the cage a tale that engages james s complicated attitudes toward gender class and the rise of information technology tales of henry james a norton critical edition christof wegelin henry james henry b wonham 9780393977103