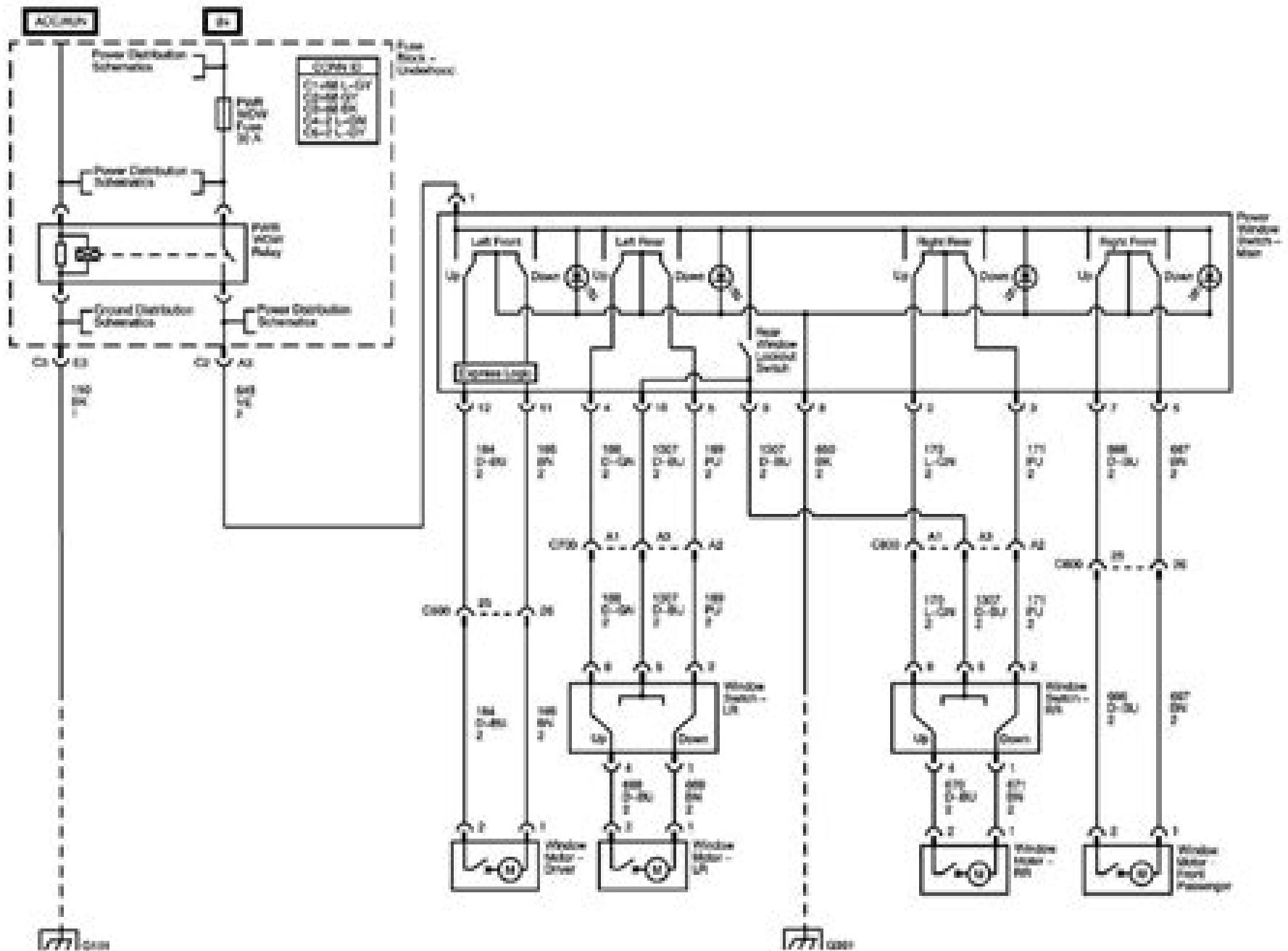


# Power Window Schematics



# Chevy Express Ignition Wiring Diagram

**Thomas Griffiths**



## **Chevy Express Ignition Wiring Diagram:**

Thank you totally much for downloading **Chevy Express Ignition Wiring Diagram**. Maybe you have knowledge that, people have look numerous period for their favorite books subsequent to this Chevy Express Ignition Wiring Diagram, but stop taking place in harmful downloads.

Rather than enjoying a fine PDF subsequent to a mug of coffee in the afternoon, on the other hand they juggled following some harmful virus inside their computer. **Chevy Express Ignition Wiring Diagram** is affable in our digital library an online permission to it is set as public hence you can download it instantly. Our digital library saves in combination countries, allowing you to acquire the most less latency epoch to download any of our books once this one. Merely said, the Chevy Express Ignition Wiring Diagram is universally compatible taking into consideration any devices to read.

<https://auld.rmjm.com/public/virtual-library/index.jsp/Bronchial%20Asthma%20Gina%20Guidelines%202013.pdf>

## **Table of Contents Chevy Express Ignition Wiring Diagram**

1. Understanding the eBook Chevy Express Ignition Wiring Diagram
  - The Rise of Digital Reading Chevy Express Ignition Wiring Diagram
  - Advantages of eBooks Over Traditional Books
2. Identifying Chevy Express Ignition Wiring Diagram
  - Exploring Different Genres
  - Considering Fiction vs. Non-Fiction
  - Determining Your Reading Goals
3. Choosing the Right eBook Platform
  - Popular eBook Platforms
  - Features to Look for in a Chevy Express Ignition Wiring Diagram
  - User-Friendly Interface
4. Exploring eBook Recommendations from Chevy Express Ignition Wiring Diagram
  - Personalized Recommendations
  - Chevy Express Ignition Wiring Diagram User Reviews and Ratings

- Chevy Express Ignition Wiring Diagram and Bestseller Lists
- 5. Accessing Chevy Express Ignition Wiring Diagram Free and Paid eBooks
  - Chevy Express Ignition Wiring Diagram Public Domain eBooks
  - Chevy Express Ignition Wiring Diagram eBook Subscription Services
  - Chevy Express Ignition Wiring Diagram Budget-Friendly Options
- 6. Navigating Chevy Express Ignition Wiring Diagram eBook Formats
  - ePub, PDF, MOBI, and More
  - Chevy Express Ignition Wiring Diagram Compatibility with Devices
  - Chevy Express Ignition Wiring Diagram Enhanced eBook Features
- 7. Enhancing Your Reading Experience
  - Adjustable Fonts and Text Sizes of Chevy Express Ignition Wiring Diagram
  - Highlighting and Note-Taking Chevy Express Ignition Wiring Diagram
  - Interactive Elements Chevy Express Ignition Wiring Diagram
- 8. Staying Engaged with Chevy Express Ignition Wiring Diagram
  - Joining Online Reading Communities
  - Participating in Virtual Book Clubs
  - Following Authors and Publishers Chevy Express Ignition Wiring Diagram
- 9. Balancing eBooks and Physical Books Chevy Express Ignition Wiring Diagram
  - Benefits of a Digital Library
  - Creating a Diverse Reading Collection Chevy Express Ignition Wiring Diagram
- 10. Overcoming Reading Challenges
  - Dealing with Digital Eye Strain
  - Minimizing Distractions
  - Managing Screen Time
- 11. Cultivating a Reading Routine Chevy Express Ignition Wiring Diagram
  - Setting Reading Goals Chevy Express Ignition Wiring Diagram
  - Carving Out Dedicated Reading Time
- 12. Sourcing Reliable Information of Chevy Express Ignition Wiring Diagram
  - Fact-Checking eBook Content of Chevy Express Ignition Wiring Diagram
  - Distinguishing Credible Sources

13. Promoting Lifelong Learning
  - Utilizing eBooks for Skill Development
  - Exploring Educational eBooks
14. Embracing eBook Trends
  - Integration of Multimedia Elements
  - Interactive and Gamified eBooks

### **Chevy Express Ignition Wiring Diagram Introduction**

In this digital age, the convenience of accessing information at our fingertips has become a necessity. Whether its research papers, eBooks, or user manuals, PDF files have become the preferred format for sharing and reading documents. However, the cost associated with purchasing PDF files can sometimes be a barrier for many individuals and organizations. Thankfully, there are numerous websites and platforms that allow users to download free PDF files legally. In this article, we will explore some of the best platforms to download free PDFs. One of the most popular platforms to download free PDF files is Project Gutenberg. This online library offers over 60,000 free eBooks that are in the public domain. From classic literature to historical documents, Project Gutenberg provides a wide range of PDF files that can be downloaded and enjoyed on various devices. The website is user-friendly and allows users to search for specific titles or browse through different categories. Another reliable platform for downloading Chevy Express Ignition Wiring Diagram free PDF files is Open Library. With its vast collection of over 1 million eBooks, Open Library has something for every reader. The website offers a seamless experience by providing options to borrow or download PDF files. Users simply need to create a free account to access this treasure trove of knowledge. Open Library also allows users to contribute by uploading and sharing their own PDF files, making it a collaborative platform for book enthusiasts. For those interested in academic resources, there are websites dedicated to providing free PDFs of research papers and scientific articles. One such website is Academia.edu, which allows researchers and scholars to share their work with a global audience. Users can download PDF files of research papers, theses, and dissertations covering a wide range of subjects. Academia.edu also provides a platform for discussions and networking within the academic community. When it comes to downloading Chevy Express Ignition Wiring Diagram free PDF files of magazines, brochures, and catalogs, Issuu is a popular choice. This digital publishing platform hosts a vast collection of publications from around the world. Users can search for specific titles or explore various categories and genres. Issuu offers a seamless reading experience with its user-friendly interface and allows users to download PDF files for offline reading. Apart from dedicated platforms, search engines also play a crucial role in finding free PDF files. Google, for instance, has an advanced search feature that allows users to filter results by file type. By specifying the file type as "PDF,"

users can find websites that offer free PDF downloads on a specific topic. While downloading Chevy Express Ignition Wiring Diagram free PDF files is convenient, it's important to note that copyright laws must be respected. Always ensure that the PDF files you download are legally available for free. Many authors and publishers voluntarily provide free PDF versions of their work, but it's essential to be cautious and verify the authenticity of the source before downloading Chevy Express Ignition Wiring Diagram. In conclusion, the internet offers numerous platforms and websites that allow users to download free PDF files legally. Whether it's classic literature, research papers, or magazines, there is something for everyone. The platforms mentioned in this article, such as Project Gutenberg, Open Library, Academia.edu, and Issuu, provide access to a vast collection of PDF files. However, users should always be cautious and verify the legality of the source before downloading Chevy Express Ignition Wiring Diagram any PDF files. With these platforms, the world of PDF downloads is just a click away.

### **FAQs About Chevy Express Ignition Wiring Diagram Books**

How do I know which eBook platform is the best for me? Finding the best eBook platform depends on your reading preferences and device compatibility. Research different platforms, read user reviews, and explore their features before making a choice. Are free eBooks of good quality? Yes, many reputable platforms offer high-quality free eBooks, including classics and public domain works. However, make sure to verify the source to ensure the eBook credibility. Can I read eBooks without an eReader? Absolutely! Most eBook platforms offer webbased readers or mobile apps that allow you to read eBooks on your computer, tablet, or smartphone. How do I avoid digital eye strain while reading eBooks? To prevent digital eye strain, take regular breaks, adjust the font size and background color, and ensure proper lighting while reading eBooks. What the advantage of interactive eBooks? Interactive eBooks incorporate multimedia elements, quizzes, and activities, enhancing the reader engagement and providing a more immersive learning experience. Chevy Express Ignition Wiring Diagram is one of the best book in our library for free trial. We provide copy of Chevy Express Ignition Wiring Diagram in digital format, so the resources that you find are reliable. There are also many Ebooks of related with Chevy Express Ignition Wiring Diagram. Where to download Chevy Express Ignition Wiring Diagram online for free? Are you looking for Chevy Express Ignition Wiring Diagram PDF? This is definitely going to save you time and cash in something you should think about. If you trying to find then search around for online. Without a doubt there are numerous these available and many of them have the freedom. However without doubt you receive whatever you purchase. An alternate way to get ideas is always to check another Chevy Express Ignition Wiring Diagram. This method for see exactly what may be included and adopt these ideas to your book. This site will almost certainly help you save time and effort, money and stress. If you are looking for free

books then you really should consider finding to assist you try this. Several of Chevy Express Ignition Wiring Diagram are for sale to free while some are payable. If you arent sure if the books you would like to download works with for usage along with your computer, it is possible to download free trials. The free guides make it easy for someone to free access online library for download books to your device. You can get free download on free trial for lots of books categories. Our library is the biggest of these that have literally hundreds of thousands of different products categories represented. You will also see that there are specific sites catered to different product types or categories, brands or niches related with Chevy Express Ignition Wiring Diagram. So depending on what exactly you are searching, you will be able to choose e books to suit your own need. Need to access completely for Campbell Biology Seventh Edition book? Access Ebook without any digging. And by having access to our ebook online or by storing it on your computer, you have convenient answers with Chevy Express Ignition Wiring Diagram To get started finding Chevy Express Ignition Wiring Diagram, you are right to find our website which has a comprehensive collection of books online. Our library is the biggest of these that have literally hundreds of thousands of different products represented. You will also see that there are specific sites catered to different categories or niches related with Chevy Express Ignition Wiring Diagram So depending on what exactly you are searching, you will be able to choose ebook to suit your own need. Thank you for reading Chevy Express Ignition Wiring Diagram. Maybe you have knowledge that, people have search numerous times for their favorite readings like this Chevy Express Ignition Wiring Diagram, but end up in harmful downloads. Rather than reading a good book with a cup of coffee in the afternoon, instead they juggled with some harmful bugs inside their laptop. Chevy Express Ignition Wiring Diagram is available in our book collection an online access to it is set as public so you can download it instantly. Our digital library spans in multiple locations, allowing you to get the most less latency time to download any of our books like this one. Merely said, Chevy Express Ignition Wiring Diagram is universally compatible with any devices to read.

### **Find Chevy Express Ignition Wiring Diagram :**

[bronchial asthma gina guidelines 2013](#)

[modern biology study guide answer key 8](#)

**[year 5 english comprehension test with answers](#)**

[improvement of oil seed and industrial crops by induced mutations](#)

[2013 mathes literacy p2 final exam memorandum](#)

[1992 toyota previa owners manual](#)

**[active and passive transport answers](#)**

[ingersoll the deist](#)



**germany russia & the balkans east european monographs no. 142**

[mitsubishi l200 parts manual 4d56](#)

[90 000 mile service honda accord cost](#)

[50 claves para hacer de usted una marca](#)

[2014 exemplar grade1economics paper1](#)

[a falling star](#)

[1 000 jewelry inspirations beads baubles dangles and chains sandra salamony](#)

**Chevy Express Ignition Wiring Diagram :**

**platinum natural sciences grade 7 learner s book pdf** - Nov 06 2022

web jan 9 2023 platinum natural sciences grade 7 teacher s guide platinum natural sciences grade 7 teacher s guide is a caps approved grade 7 natural sciences

**platinum natural sciences grade 7 teacher s guide epdf 1** - Nov 25 2021

web showing 8 worksheets for platinum natural science grade 7 worksheets are platinum natural science teachers guide grade 7 term 2 grade 7 natural scie

**platinum natural science grade 7 worksheets k12 workbook** - Feb 26 2022

web sold by de jack grade level grade 7 age 12 year 8 language english type worksheets tasks summaries revision tasks school term term 3 curriculum south

**platinum natural sciences grade 7 teacher s guide caps** - Jan 08 2023

web description platinum natural sciences grade 7 teacher s guide caps additional information reviews 0 be the first to review platinum natural sciences grade 7

*platinum technology teacher s guide grade 7 google books* - Dec 27 2021

web platinum natural sciences grade 7 teacher s guide epdf 1 year licence j avis m bester m bezuidenhout a clacherty s cohen j cowan s doubell j

**platinum natural sciences grade 7 teacher s guide eduwiz** - Dec 07 2022

web platinum natural sciences grade 7 teacher s guide r 293 00 availability 1 in stock can be backordered add to cart sku 9780636145481 category resources gr7 9

*platinum natural sciences grade 7 teacher s guide epdf mml* - Jun 13 2023

web buy platinum natural sciences grade 7 teacher s guide epdf at the pearson estore we believe in all kinds of learning for all people so they can flourish

**platinum natural science grade 7 lesson worksheets** - Oct 25 2021

web nature science school education reference unauthorised downloading copying distribution or exploitation of this content is an infringement of intellectual property rights

**platinum natural sciences grade 7 teacher s guide** - Oct 05 2022

web platinum natural science grade 7 worksheets there are 8 printable worksheets for this topic worksheets are platinum natural science teachers guide

**platinum natural sciences grade 7 teacher s guide caps** - Aug 03 2022

web platinum natural science teachers guide grade 7 is available in our book collection an online access to it is set as public so you can download it instantly our book servers

**platinum natural sciences grade 7 learner s book paperback** - Apr 30 2022

web grade 7 teacher s guide authors peter ranby author barbara johannesson author mary monteith author summary what makes the platinum social sciences course

**platinum natural sciences grade 7 teacher s guide includes** - Mar 10 2023

web platinum natural sciences grade 7 teacher s guide includes extension and remediation worksheet book grade 7 teacher s guide paperback j avis m

**platinum natural sciences grade 7 learner s book epdf 1** - Sep 23 2021

platinum natural science grade 7 teacher worksheets - Sep 04 2022

web platinum natural sciences grade 7 teacher s guide caps sherin books charts sku 9780636145481 categories caps text book natural science technology

**platinum natural sciences grade 7 teacher s guide ebook epdf** - May 12 2023

web oct 11 2012 r 165 00 r 318 00 title platinum natural sciences grade 7 teacher s guide sort title platinum natural sciences grade 7 teacher s guide author j avis

platinum social sciences grade 7 teacher s guide - Mar 30 2022

web showing 8 worksheets for platinum natural science grade 7 worksheets are platinum natural science teachers guide grade 7 term 2 grade 7 natural scie

platinum natural sciences grade 7 teacher s guide book hub - Jun 01 2022

web platinum simply superior superior caps coverage and written by expert authors superior illustrations and activities to improve results and motivate learners superior teacher

**natural science grade 7 free textbooks and teacher guides for** - Jul 14 2023

web mar 24 2022 on this page you will find natural science grade 7 free textbooks teacher guides as well as learner guides for download the books are in pdf format for easy

**natural sciences grade 7 term 3 learner and teacher guide** - Jan 28 2022

web platinum technology teacher s guide grade 7 fiona clitheroe maskew miller longman 2013 competency based education 158 pages

platinum natural science teachers guide grade 7 - Jul 02 2022

web grade 7 9 grade 7 9 english grade 7 9 english fal grade 7 9 mathematics grade 7 9 afrikaans huistaal grade 7 9 afrikaans fal grade 7 9 natural

*platinum natural sciences grade 7 teacher s guide epdf* - Aug 15 2023

web platinum natural sciences grade 7 teacher s guide epdf perpetual licence j avis m bester m bezuidenhout a clacherty s cohen j cowan s doubell j

platinum natural sciences caps gr 7 teacher s guide - Feb 09 2023

web platinum simply superior superior caps coverage and written by expert authors superior illustrations and activities to improve results and motivate learners superior teacher

*platinum natural sciences grade 7 teacher s guide caps* - Apr 11 2023

web platinum natural sciences grade 7 teacher s guide caps r 295 00 r 280 00 j avis a clacherty s doubell j erasmus g lombard e nkosi r sadie l schreuder

**f3 bpp study text august 2020 by accaglobalbox** - Apr 11 2023

web f3 bpp study text august 2020 by accaglobalbox acca globalbox see full pdf download pdf see full pdf download pdf ffdownload free acca study materials from accaglobalbox com contents contents page introduction helping you to pass

**f3 bpp study text acca globalbox** - Jun 13 2023

web f3 bpp study text what ffa f3 financial accounting is about paper ffa f3 financial accounting main purpose is to develop your knowledge and understanding of the basic principles concepts and regulations relating to financial accounting

**bpp acca financial accounting f3 books sep23 to aug 24** - Mar 30 2022

web bpp acca applied knowledge fa financial accounting f3 books workbook practice and revision kit valid sep 23 to aug 24 exams 103 reviews no questions google reviews 4 9 259 reviews eduyush is an accredited bpp tuition solution provider

**pdf bpp f3 study text linh hoang academia edu** - May 12 2023

web t e x t ffa bpp learning media is the sole acca platinum approved learning partnercontent for fia and acca qualifications in this the only ffa f3 study text to be reviewed by the examiner see full pdf download pdf

**prepare to pass acca global** - Feb 09 2023

web use the acca learning community to link up with fellow students around the world studying the same a look at the bpp english language support for acca which is a free online programme specifically designed to support you look at f3 a guide to using the examiner s reports for an overview of some of the

*f3 fa bpp passcard acca globalbox - Dec 07 2022*

web f3 fa passcard is a small and mini notes provided by the acca official partners and publishers bpp passcard summarises the syllabus in short notes that makes student easy to remember and revision their syllabus near the exam these are the great source of studying revising and passing the exam

**f3 financial accounting int study text bpp pdf pdf scribd** - Dec 27 2021

web you may want to get a copy of the study text for f3 financial accounting and read through it or at least have it to refer to f3 financial accounting int essential text kaplan pdf 11 mb f4 corporate and business law english study

f3 bpp financial accounting fa study text and exam - Apr 30 2022

web f3 bpp financial accounting fa study text and exam kit what is f3 financial accounting fa the f3 financial accounting fa course introduces acca candidates to financial reporting basic consolidation accounting and ratio analysis for the first time

f3 financial accounting int study text bpp academia edu - Mar 10 2023

web f3 financial accounting int study text bpp big buzz introduction v how the bpp acca approved study text can help you pass and help you with your practical experience requirement

**f3 2021 financial accounting fa study text and exam kit bpp** - Jun 01 2022

web the f3 acca exam is a two hour examination that will cover the entire syllabus range section a will contain 30 objective test questions with two marks and 16 questions with one mark while section b will contain 6 multi task questions with four marks each each covering the 6 areas of the above mentioned syllabus

**f3 self study notes acca globalbox** - Aug 03 2022

web f3 self study notes f3 fa financial accounting notes these notes are created by concentrating as much as possible on the f3 financial accounting fa study guide found on the acca website following the requirements of the study guide and covering almost everything that you need to know to pass this exam

*f3 2021 financial accounting fa bpp acca globalbox* - Jul 14 2023

web paper ffa f3 financial accounting is a two hour exam paper it can be taken as only a computer based examination no more paper base exam for f3 financial accounting

**f3 bpp study text august 2020 by www accglobal box com** - Jul 02 2022

web f3 bpp study text august 2020 by www accglobal box com download free acca study materials from accaglobalbox com foundations in i n accountancy t e r acca a c t i financial v e accounting ffa fa t bpp learning media is an acca approved

content provider for the foundations in

**f3 2021 financial accounting fa bpp study text and kit acca** - Feb 26 2022

web may 19 2021 no more paper base exams for f3 financial accounting the computer based examination especially this f3 financial accounting contains 35 objective test questions multiple responses multiple choice number entry

*acca qualification courses bpp* - Aug 15 2023

web association of chartered certified accountants choose to study for your acca qualification with bpp the leading provider of accountancy and tax qualifications at bpp we offer three routes to acca qualification buy paper buy your acca papers individually and choose from different study modes

acca study materials economic grapevine - Sep 04 2022

web acca f3 fa bpp study text click the download button below to download the latest bpp book for paper fa f3 we update our download links for acca study materials regularly to make sure you get latest resources to study for your exam

financial accounting f3 ffa this is a narrative acca global - Nov 06 2022

web the syllabus for paper ffa f3 financial accounting introduces the candidate to the fundamentals of the regulatory framework relating to accounts preparation and to the qualitative characteristics of useful information the syllabus then covers drafting financial statements and the principles of accounts preparation

acca paper f3 financial accounting int study text - Oct 05 2022

web jul 1 2009 acca paper f3 financial accounting int study text bpp learning media the examiner has reviewed the study text which concentrates on the key areas of the syllabus and takes account of the examiner s guidance on how topics will be examined

english for acca study bpp - Jan 28 2022

web our english language learning units are specifically designed to support accountancy based training these are crucial for success in core areas such as accounting management accounting law financial reporting audit and assurance and financial management each unit is an hour long and will develop the english language skills you need for

*acca fa f3 study materials economic grapevine* - Jan 08 2023

web oct 2 2021 financial accounting fa previously f3 is the foundation level acca exam which covers basic accounting treatments and standards if you need study resources to study for your fa f3 exam great we have uploaded study materials from approved acca learning providers including kaplan and bpp that you can download with one

**die frauen und die insel roman amazon com tr** - Dec 07 2022

web ana içeriğe atla com tr merhaba teslimat adresini seçin

romalyn tilghman die bücherfrauen roman perlentaucher - Mar 10 2023

web es ist ein vielschichtiger roman der eine historische handlung mit dem damaligen zeitgeschehen verknüpft eine mordtat aufklärt und eine familiensaga die bis in die

**die frauen am fluss roman webb katherine amazon com tr** - Feb 26 2022

web abebooks com die frauen roman 9783423213844 by boyle t c and a great selection of similar new used and collectible books available now at great prices die frauen

**die frauen roman 13927 boyle t c amazon com tr kitap** - Feb 09 2023

web die frauen book read 1 595 reviews from the world s largest community for readers welcome to the troubled tempestuous world of frank lloyd wright sca

*die frauen roman boyle t c 9783423213844 abebooks* - Apr 30 2022

web die frauen am fluss roman webb katherine amazon com tr kitap Çerez tercihlerinizi seçin Çerez bildirimimizde ayrıntılı şekilde açıklandığı üzere alışveriş yapmanızı

frauenroman beliebte empfohlene bücher bei lovelybooks - May 12 2023

web er ist genial er ist exzentrisch und er ist der berühmteste architekt der usa wenn nicht gar der welt mit der überlebensgroßen figur frank lloyd wright erweitert t c boyle seine

**die bücherfrauen roman amazon de** - Nov 06 2022

web hier lebt und arbeitet er mit seinen treuen schülern und seinen geliebten frauen der aparten tänzerin aus montenegro der exaltierten morphinistin und natürlich mrs

**die frauen von paris roman jenoff pam amazon com tr kitap** - Mar 30 2022

web nov 1 2010 die frauen roman boyle t c on amazon com free shipping on qualifying offers die frauen roman

**die frauen am fluss roman kağıt kapak 11 kısım 2019** - Jul 02 2022

web gemeinsam entwickeln sie eine schaffenskraft die der kleinstadt neue hoffnung gibt am ende der welt finden die drei frauen einen neuen lebenssinn und ihr ganz

die frauen roman boyle t coraghe ssan 1948 ver fasser - Oct 05 2022

web die frauen und die insel roman kağıt kapak 10 ağustos 2016 almanca baskı martin koch eser sahibi 5 0 1 değerlendirme tüm biçimleri ve sürümleri görün ciltsiz 259 23

**frauen duo will grüne jugend ab oktober führen tagesschau de** - Oct 25 2021

web 1 day ago by gene wang september 14 2023 at 9 00 a m edt roman hemby is the centerpiece of maryland s rushing attack daniel kucin jr ap 5 min maryland running

die frauen roman boyle t c 9783423139274 amazon com - Jun 01 2022

web die frauen roman boyle t c amazon com tr Çerez tercihlerinizi seçin alışveriş deneyiminizi geliştirmek hizmetlerimizi

sunmak müşterilerin hizmetlerimizi nasıl

die frauen roman gebundene ausgabe 4 februar 2009 - Jul 14 2023

einfühlsam und unsagbar traurig schildert anna mcpartlin aus verschiedenen perspektiven die letzten neun tage im leben einer mutter tochter ehfrau und see more

**die frauen roman t coraghessan boyle google books** - Jan 08 2023

web mar 5 2021 frauen wie amanda die zu beginn des zwanzigsten jahrhunderts kultur in die entlegensten winkel des landes brachten widmet angelina ihre studien in kansas

*die frauen roman by t coraghessan boyle goodreads* - Apr 11 2023

web mar 8 2023 wir empfehlen zum frauentag elf bücher von autorinnen voller leben feminismus und weiblichkeit bildrechte hanser literaturverlage suhrkamp verlag

**die bücherfrauen von romalyn tilghman buch kaufen ex libris** - Sep 04 2022

web die bücherfrauen roman tilghman romalyn somann jung britt isbn 9783103970807 kostenloser versand für alle bücher mit versand und verkauf duch

**frauenliteratur die 60 besten romane über starke** - Aug 15 2023

penelope fitzgerald beweist in diesem werk nicht nur ein gespür für den umgang mit worten sondern zeigt darüber hinaus ihre begeisterung für die welt der bücher und sprachen die sie ihrer protagonistin in den mund legt in florence findet der roman eine unabhängige unbeirrbar frau die ihre see more

ein roman der frau fernsehserien de - Jul 22 2021

web 16 hours ago fußball bleibt männersache insbesondere in den führungsetagen egal ob fifa uefa oder dfb ganz oben können sollen oder dürfen frauen nicht

**frauentag diese 11 bücher von autorinnen sollte man gelesen** - Jun 13 2023

individuell wie ihre schöpferinnen und leser innen literatur von frauen und über frauen gibt es wie sand am meer doch nicht jedes buch in das man das see more

**many men think about roman empire frequently tiktok trend** - Nov 25 2021

web die frauen der rosenvilla roman simon teresa amazon com tr Çerez tercihlerinizi seçin alışveriş deneyiminizi geliştirmek hizmetlerimizi sunmak müşterilerin

**fußball weiter männersache frauen mangel in den** - Sep 23 2021

web 1 day ago 5 min it s been almost 2 000 years since the roman empire reached the historic peak of its power but many men still contemplate it quite a lot a new social

**roman hemby leads maryland rushing attack before terps face** - Dec 27 2021

web die frauen am fluss roman webb katherine amazon com tr Çerez tercihlerinizi seçin alışveriş deneyiminizi geliştirmek  
hizmetlerimizi sunmak müşterilerin hizmetlerimizi

[frauenkrimis literaturtipps de seite 1](#) - Aug 23 2021

web 56 minutes ago die grüne jugend braucht im oktober eine neue doppel spitze eine metereologin und eine  
medizinstudentin wollen die nachwuchsorganisation führen und

**die frauen der rosenvilla roman simon teresa amazon com tr** - Jan 28 2022

web die frauen von paris roman jenoff pam amazon com tr kitap Çerez tercihlerinizi seçin Çerez bildirimimizde  
detaylandırıldığı üzere satın alım yapmanızı sağlamak

**die frauen roman boyle t c 9783423139274 abebooks** - May 20 2021

web ein roman der frau erinnerungs service per e mail tv wunschliste informiert dich kostenlos wenn ein roman der frau  
online als stream verfügbar ist oder im fernsehen

[die frauen roman kindle ausgabe amazon de](#) - Jun 20 2021

web in diesen krimis nehmen die frauen die dinge selbst in die hand starke ermittlerinnen in unseren frauen krimis top listen  
top schmöcker autoren suche frauenkrimis

**die frauen roman boyle t c amazon com tr** - Aug 03 2022

web jul 11 2022 hier lebt und arbeitet er mit seinen treuen schülern und seinen geliebten frauen der aparten tänzerin aus  
montenegro der exaltierten morphinistin und