

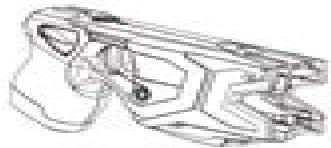


TASER X2 CEW Quick Start Guide

English (U.S./Canada/Australia/U.K.)



Hardware

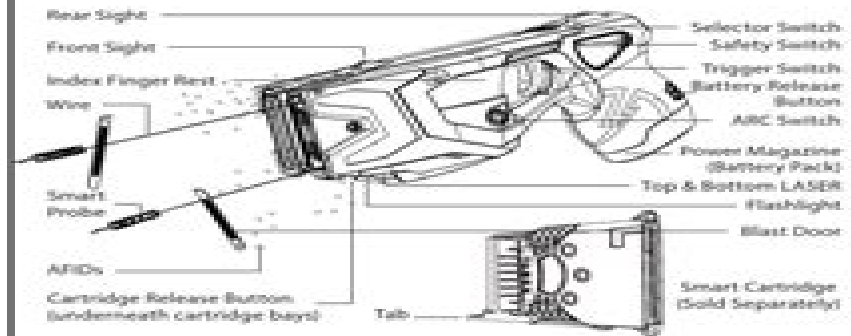


X2 CEW (cartridges sold separately)



Additional battery packs are available. See www.axon.com for details.

Quick Reference



Complete Training First. Significant differences exist between each of the Axon Enterprise, Inc. TASER Conducted Electrical Weapon ("CEW") models. Do not use or attempt to use any CEW model unless you have been trained and certified by a Certified TASER Instructor on that particular model. See www.axon.com, axon.com/au/, axon.com/uk/ for the most current warnings.

Step 1:

Place the Safety Switch in the SAFE Position

NOTE: Before using your X2 CEW, confirm with your armorer or other qualified person that the X2 firmware has been updated.

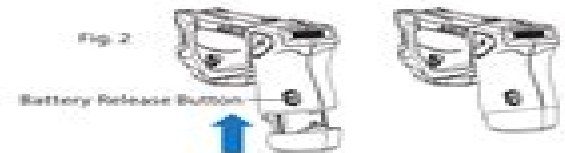
The ambidextrous safety can be operated from either side. Shift the safety switch to the down (SAFE) position.



Step 2:

Inspect and Install the Battery Pack

1. Inspect the battery pack contacts to confirm they are clean and free of damage (Fig. 1).
2. Install the new battery pack and confirm that it is fully inserted into the X2 CEW (Fig. 2).
 - Apply sufficient force to ensure it is fully seated.
 - When the battery pack seats properly, the battery release button should pop out from the recessed position with an audible click.



Step 3:

Remove the Cartridge Shipping Cover

Smart Cartridges are sold separately. Remove shipping covers before attempting to load a Smart Cartridge into an X2 CEW.

1. Hold the cartridge over a table or other close by surface so the cartridge will not fall to the floor if it is dropped.
2. Hold the cartridge so the blast doors are facing away from you and others. The blast doors are on the front of the cartridge, behind the solid portion of the cartridge cover with the word REMOVE on it.
3. Find the cartridge tab sticking out the rounded side of the shipping cover.
4. Push against this tab while pulling the cartridge out. You might consider pushing on the cartridge with your thumbs and holding the cover with your fingers. There should be an audible click when the cover releases the cartridge.
5. Pull the cartridge out of the cover.



X2 Cew Nomenclature

Joacim Rocklöv



X2 Cew Nomenclature:

Atlas of Conducted Electrical Weapon Wounds and Forensic Analysis Jeffrey D. Ho, Donald M. Dawes, Mark W. Kroll, 2012-06-15 Atlas of Conducted Electrical Weapon Wounds and Forensic Analysis provides a comprehensive publication on the subject of Conducted Electrical Weapon CEW wounds and signature markings created by this class of weapon This volume will serve as a very useful resource for all professions tasked with assisting persons that have allegedly been subjected to a CEW exposure The volume provides an introduction to basic CEW technology and the types of CEWs currently available It also serves as a comprehensive pictorial atlas of signature markings that CEW exposures make in the immediate and more remote post exposure periods Also it discusses the ability of forensic specialty examinations of the CEW itself to aid in the determination of whether the alleged CEW exposure is consistent with the objective evidence and the subjective statements Finally this text addresses the important and growing area of factitious CEW markings that will be useful for consideration by investigators and litigators Atlas of Conducted Electrical Weapon Wounds and Forensic Analysis provides an objective atlas of evidence for reference that will benefit those professionals who often must make diagnostic treatment or legal judgments on these cases including Emergency and Primary Care Physicians Medical Examiners Forensic Pathologists Coroners Law Enforcement Investigators and Attorneys ASME Technical Papers ,1977

This Enthralling World of E-book Books: A Comprehensive Guide Revealing the Benefits of Kindle Books: A World of Convenience and Flexibility E-book books, with their inherent portability and ease of availability, have freed readers from the limitations of hardcopy books. Done are the days of lugging bulky novels or meticulously searching for specific titles in bookstores. Kindle devices, sleek and portable, effortlessly store an extensive library of books, allowing readers to immerse in their favorite reads anytime, anywhere. Whether commuting on a bustling train, lounging on a sunny beach, or simply cozying up in bed, E-book books provide an exceptional level of convenience. A Literary World Unfolded: Discovering the Vast Array of Kindle X2 Cew Nomenclature X2 Cew Nomenclature The Kindle Shop, a digital treasure trove of bookish gems, boasts an wide collection of books spanning diverse genres, catering to every readers taste and choice. From captivating fiction and thought-provoking non-fiction to timeless classics and modern bestsellers, the Kindle Store offers an unparalleled variety of titles to discover. Whether looking for escape through engrossing tales of imagination and exploration, diving into the depths of past narratives, or broadening ones knowledge with insightful works of science and philosophy, the E-book Store provides a gateway to a literary universe brimming with endless possibilities. A Game-changing Factor in the Literary Landscape: The Persistent Impact of E-book Books X2 Cew Nomenclature The advent of E-book books has undoubtedly reshaped the literary landscape, introducing a paradigm shift in the way books are published, distributed, and consumed. Traditional publishing houses have embraced the online revolution, adapting their approaches to accommodate the growing need for e-books. This has led to a surge in the accessibility of Kindle titles, ensuring that readers have access to a wide array of bookish works at their fingertips. Moreover, E-book books have democratized entry to literature, breaking down geographical barriers and providing readers worldwide with equal opportunities to engage with the written word. Irrespective of their location or socioeconomic background, individuals can now engross themselves in the captivating world of literature, fostering a global community of readers. Conclusion: Embracing the Kindle Experience X2 Cew Nomenclature E-book books X2 Cew Nomenclature, with their inherent ease, versatility, and vast array of titles, have certainly transformed the way we experience literature. They offer readers the liberty to discover the boundless realm of written expression, anytime, everywhere. As we continue to navigate the ever-evolving online landscape, Kindle books stand as testament to the enduring power of storytelling, ensuring that the joy of reading remains reachable to all.

<https://auld.rmjm.com/book/Resources/default.aspx/Successful%20Single%20Adult%20Ministry%20It%20Can%20Happen%20In%20Your%20Church.pdf>

Table of Contents X2 Cew Nomenclature

1. Understanding the eBook X2 Cew Nomenclature
 - The Rise of Digital Reading X2 Cew Nomenclature
 - Advantages of eBooks Over Traditional Books
2. Identifying X2 Cew Nomenclature
 - Exploring Different Genres
 - Considering Fiction vs. Non-Fiction
 - Determining Your Reading Goals
3. Choosing the Right eBook Platform
 - Popular eBook Platforms
 - Features to Look for in an X2 Cew Nomenclature
 - User-Friendly Interface
4. Exploring eBook Recommendations from X2 Cew Nomenclature
 - Personalized Recommendations
 - X2 Cew Nomenclature User Reviews and Ratings
 - X2 Cew Nomenclature and Bestseller Lists
5. Accessing X2 Cew Nomenclature Free and Paid eBooks
 - X2 Cew Nomenclature Public Domain eBooks
 - X2 Cew Nomenclature eBook Subscription Services
 - X2 Cew Nomenclature Budget-Friendly Options
6. Navigating X2 Cew Nomenclature eBook Formats
 - ePub, PDF, MOBI, and More
 - X2 Cew Nomenclature Compatibility with Devices
 - X2 Cew Nomenclature Enhanced eBook Features
7. Enhancing Your Reading Experience
 - Adjustable Fonts and Text Sizes of X2 Cew Nomenclature
 - Highlighting and Note-Taking X2 Cew Nomenclature
 - Interactive Elements X2 Cew Nomenclature
8. Staying Engaged with X2 Cew Nomenclature

- Joining Online Reading Communities
 - Participating in Virtual Book Clubs
 - Following Authors and Publishers X2 Cew Nomenclature
9. Balancing eBooks and Physical Books X2 Cew Nomenclature
- Benefits of a Digital Library
 - Creating a Diverse Reading Collection X2 Cew Nomenclature
10. Overcoming Reading Challenges
- Dealing with Digital Eye Strain
 - Minimizing Distractions
 - Managing Screen Time
11. Cultivating a Reading Routine X2 Cew Nomenclature
- Setting Reading Goals X2 Cew Nomenclature
 - Carving Out Dedicated Reading Time
12. Sourcing Reliable Information of X2 Cew Nomenclature
- Fact-Checking eBook Content of X2 Cew Nomenclature
 - Distinguishing Credible Sources
13. Promoting Lifelong Learning
- Utilizing eBooks for Skill Development
 - Exploring Educational eBooks
14. Embracing eBook Trends
- Integration of Multimedia Elements
 - Interactive and Gamified eBooks

X2 Cew Nomenclature Introduction

In the digital age, access to information has become easier than ever before. The ability to download X2 Cew Nomenclature has revolutionized the way we consume written content. Whether you are a student looking for course material, an avid reader searching for your next favorite book, or a professional seeking research papers, the option to download X2 Cew Nomenclature has opened up a world of possibilities. Downloading X2 Cew Nomenclature provides numerous advantages over physical copies of books and documents. Firstly, it is incredibly convenient. Gone are the days of carrying around heavy textbooks or bulky folders filled with papers. With the click of a button, you can gain immediate access to valuable resources

on any device. This convenience allows for efficient studying, researching, and reading on the go. Moreover, the cost-effective nature of downloading X2 Cew Nomenclature has democratized knowledge. Traditional books and academic journals can be expensive, making it difficult for individuals with limited financial resources to access information. By offering free PDF downloads, publishers and authors are enabling a wider audience to benefit from their work. This inclusivity promotes equal opportunities for learning and personal growth. There are numerous websites and platforms where individuals can download X2 Cew Nomenclature. These websites range from academic databases offering research papers and journals to online libraries with an expansive collection of books from various genres. Many authors and publishers also upload their work to specific websites, granting readers access to their content without any charge. These platforms not only provide access to existing literature but also serve as an excellent platform for undiscovered authors to share their work with the world. However, it is essential to be cautious while downloading X2 Cew Nomenclature. Some websites may offer pirated or illegally obtained copies of copyrighted material. Engaging in such activities not only violates copyright laws but also undermines the efforts of authors, publishers, and researchers. To ensure ethical downloading, it is advisable to utilize reputable websites that prioritize the legal distribution of content. When downloading X2 Cew Nomenclature, users should also consider the potential security risks associated with online platforms. Malicious actors may exploit vulnerabilities in unprotected websites to distribute malware or steal personal information. To protect themselves, individuals should ensure their devices have reliable antivirus software installed and validate the legitimacy of the websites they are downloading from. In conclusion, the ability to download X2 Cew Nomenclature has transformed the way we access information. With the convenience, cost-effectiveness, and accessibility it offers, free PDF downloads have become a popular choice for students, researchers, and book lovers worldwide. However, it is crucial to engage in ethical downloading practices and prioritize personal security when utilizing online platforms. By doing so, individuals can make the most of the vast array of free PDF resources available and embark on a journey of continuous learning and intellectual growth.

FAQs About X2 Cew Nomenclature Books

How do I know which eBook platform is the best for me? Finding the best eBook platform depends on your reading preferences and device compatibility. Research different platforms, read user reviews, and explore their features before making a choice. Are free eBooks of good quality? Yes, many reputable platforms offer high-quality free eBooks, including classics and public domain works. However, make sure to verify the source to ensure the eBook credibility. Can I read eBooks without an eReader? Absolutely! Most eBook platforms offer web-based readers or mobile apps that allow you to read eBooks on your computer, tablet, or smartphone. How do I avoid digital eye strain while reading eBooks? To prevent digital

eye strain, take regular breaks, adjust the font size and background color, and ensure proper lighting while reading eBooks. What the advantage of interactive eBooks? Interactive eBooks incorporate multimedia elements, quizzes, and activities, enhancing the reader engagement and providing a more immersive learning experience. X2 Cew Nomenclature is one of the best book in our library for free trial. We provide copy of X2 Cew Nomenclature in digital format, so the resources that you find are reliable. There are also many Ebooks of related with X2 Cew Nomenclature. Where to download X2 Cew Nomenclature online for free? Are you looking for X2 Cew Nomenclature PDF? This is definitely going to save you time and cash in something you should think about.

Find X2 Cew Nomenclature :

successful single adult ministry it can happen in your church

stuttering an account of intensive demonstration therapy

sudan civil war and terrorism 1976-1999

style in hamlet

stylistics rethinking the artforms after hegel

submarine exposure guidance levels for selected hydrofluorocarbons hfc-236fa...

succeed in busineb thailand

style and strategy of the business letter

suffering bastards vhs tape 1990 mcwilliams bernard mcginley john c

sueltese de lo que le detiene

styracosaurus and other last dinosaurs

suffering witness

succession between international organizations

sudden view a travellers tale from mexico

subhuman redneck poems

X2 Cew Nomenclature :

Free call center policy and procedures template for 2023 May 22, 2021 — Here's a free downloadable call center policy and procedures template that you can customize to suit your call center's needs. Essential Call Center Policies And Procedures Top 10 Call Center Policies You Must Implement · 1. Non-Disclosure Agreement (NDA) · 2. Social Media Engagement Policy ·

3. Background Checks on Employees · 4. Call Center Policy & Procedure The Call Center hours are from 7:00 am to 5:00 pm Monday-Friday. The Data Center Operations staff answers the Call Center phone after normal business hours. Call Center Policy and Procedure Manual- Feb 3, 2020 — CALL CENTER POLICY MANUAL. TABLE OF CONTENTS. I. Non-Clinical Staff ... Ensure policy and procedure manuals are current and followed by staff. Call center standard operating procedures and best practices Jul 27, 2023 — Call center Standard Operating Procedures (SOP) are a set of instructions that a workplace puts into practice. This set helps employees and ... Call Centre Standard Operating Procedures Jan 23, 2023 — 1. The call gets routed to an Agent. · 2. The call will be answered within 3 rings. · 3. The Agent will greet, identify himself/herself and ask ... Standard Operating Procedures for Call Centers SOPs define everything from staffing schedules to handling workload and call load forecasting to specifying how calls should be reviewed. Call Center Compliance Call center training manual examples may contain information about what procedures to follow for inbound calls or outbound calls. Comprehensive training and ... Why Are Call Center Standard Operating Procedures ... Your standard operating procedures will cover areas like staffing, best practices for time management, setting clear KPIs, and staying compliant. Call Center Floor Rules And Etiquettes For Best Management Always give value to your customer. The call center always tries to get maximum customer satisfaction. Agents must follow all the call center floor rules ... Christian Morality: In the Breath of God (Catholic Basics This chapter emphasizes that the Christian moral life is essentially a life of response to the love of God—and central to that, of course, is thanksgiving. To ... Christian Morality: In the Breath of God The series helps readers explore the Catholic tradition and apply what they have learned to their lives and ministry situations. Each title offers a reliable ... Christian Morality: In the Breath of God Although logic indicates that we should not define something in terms of its opposite elements, wrong choices are worth mentioning when discussing the. Christian Morality In the Breath of God Jul 3, 2023 — The Christian moral life is our attempt to respond to the gift of that love. The primary aim of this book is to convey that conviction as we ... Christian Morality In the Breath of God - Full set Available for those in ACM Program. Christian Morality: In the Breath of God This passage captures an important Christian conviction. God loves us not because our good deeds have earned that love and not because we always do the right ... Christian Morality: In the Breath of God (Catholic Basics The Christian moral life is our attempt to respond to the gift of that love. The primary aim of this book is to convey that conviction as we look at some of the ... Christian Morality - In the Breath of God (02) by PhD ... It is not a long book and is ready to follow and understand. This will help Christians to understand how to approach challenging and ethical decisions, where ... Christian Morality In the Breath of God ... A Pastoral Series that offers an in-depth yet accessible understanding of the fundamentals of the Catholic faith for adults, both those ... Christian Morality: In the Breath of God (Catholic Basics The Christian moral life is our attempt to respond to the gift of that love. The primary aim of this book is to convey that conviction as we look at some of the ... Leading Edge Publishing - 737 Cockpit Companion, FMC ... Leading Edge Publishing offers a range of 737 Cockpit

Companion, QRG, FMC User Guides & Cockpit Companion for iPad to meet your aviation needs. Flight Management Computer Info and screenshots from the many 737 FMC updates. ... This is usually automatic but manual selections can be made here. The most ... The Bill Bulfer Books B737NG FMC USER'S GUIDE. The 737 Flight Management Computers (FMC) are managed using the Control Display Units (CDU) on either side of the lower Display Unit (... FMC Users Guide Boeing 737 | 60037 The FMC B-737 guide concentrates on the FMC built by Smiths Industries and includes technical drawings and teaching diagrams. The companion volume covers the B- ... 737-Smiths-FMC-Guide.pdf Jul 27, 2001 — MANUAL. Refer to the Boeing Airplane Company 737-300/400/500 operations manual or the 737-600/700/800 operations manual ... Boeing 737-800X FMC Manual 1.0.0 | PDF | Aviation Boeing 737-800X FMC Manual 1.0.0 - Read online for free. 737 FMC User Guide - Studylib 737 FMC USER'S GUIDE Advanced Guide to the 737 Flight Management Computer May 01 737 ... FMC CONFIGURATION Dec 95 DUAL FMC CONFIGURATION - B737 A dual FMC ... PMDG 737 This manual was compiled for use only with the PMDG 737 simulation for. Microsoft Flight Simulator. The information contained within this manual is derived.