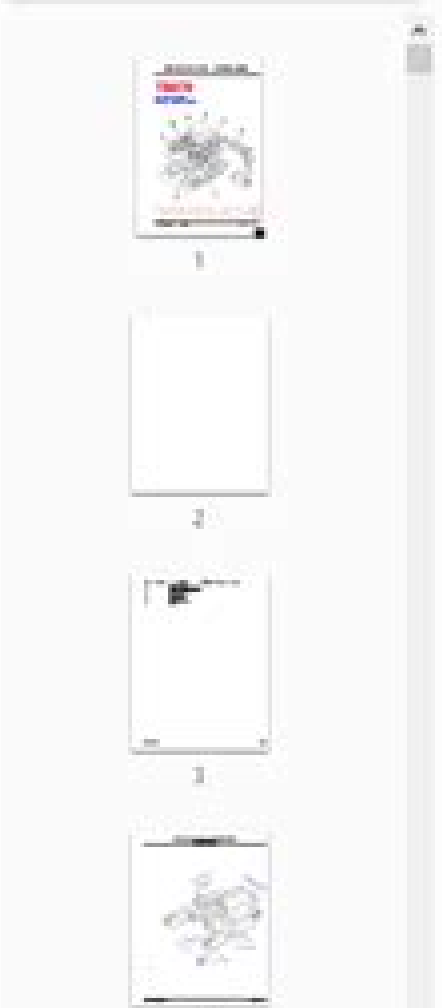


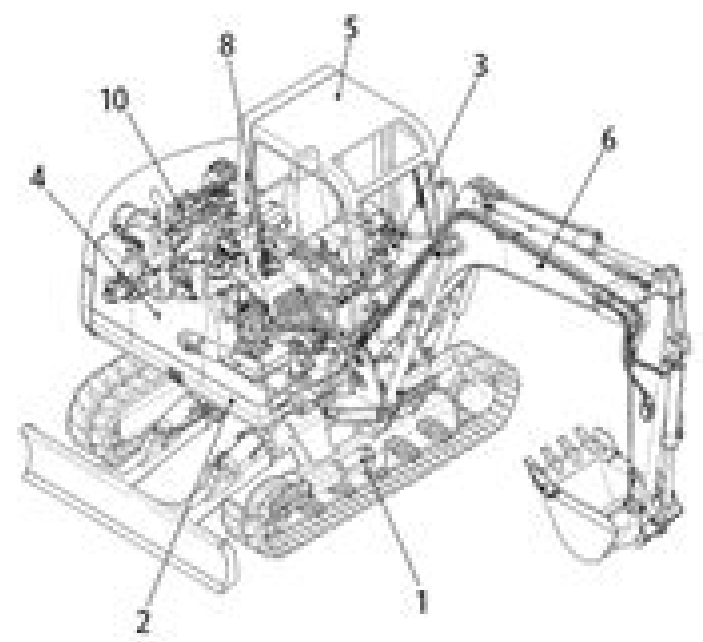
Page Thumbnails



TB070 Book No. PL1-10125 S/N1703004-1705487

TB070

Book No. PL1-10125
Serial No. 1703004-1705487



TAKEUCHI

Takeuchi Tb070 Compact Excavator Parts Manual

Caterpillar Inc. Peoria, Ill..



Takeuchi Tb070 Compact Excavator Parts Manual:

Parts Manual Caterpillar Inc. Peoria, Ill.,1996 **Parts Manual** Caterpillar Inc. Peoria, Ill.,1995 **Parts Manual**
Caterpillar Inc. Peoria, Ill.,1993 *Parts Manual* Caterpillar Inc. Peoria, Ill.,1990 **Parts Manual** Caterpillar Inc.
Peoria, Ill.,1992 **Parts Manual** Caterpillar Inc. Peoria, Ill.,1993 **Parts Manual** Caterpillar Inc. Peoria, Ill.,1995
Parts Manual Caterpillar Inc. Peoria, Ill.,1994 *Parts Manual* Caterpillar Inc. Peoria, Ill.,1992 *Parts Manual*
Caterpillar Inc. Peoria, Ill.,1993 **Parts Manual** Caterpillar Inc. Peoria, Ill.,1994 *Parts Manual* Caterpillar Inc.
Peoria, Ill.,1995 Parts Manual Caterpillar Inc. Peoria, Ill.,1994 **Parts Manual** Caterpillar Inc. Peoria, Ill.,1996
Parts Manual Caterpillar Inc. Peoria, Ill.,1995 Master Parts Manual Tecumseh Products Company. Engine and Gear
Service Division,1982 **Parts Manual** Caterpillar Inc. Peoria, Ill.,1998

If you ally dependence such a referred **Takeuchi Tb070 Compact Excavator Parts Manual** book that will allow you worth, get the very best seller from us currently from several preferred authors. If you desire to comical books, lots of novels, tale, jokes, and more fictions collections are furthermore launched, from best seller to one of the most current released.

You may not be perplexed to enjoy all ebook collections Takeuchi Tb070 Compact Excavator Parts Manual that we will enormously offer. It is not a propos the costs. Its nearly what you dependence currently. This Takeuchi Tb070 Compact Excavator Parts Manual, as one of the most practicing sellers here will very be in the midst of the best options to review.

https://auld.rmjm.com/public/Resources/index.jsp/2014_Released_Six_Grade_Math_Eog.pdf

Table of Contents Takeuchi Tb070 Compact Excavator Parts Manual

1. Understanding the eBook Takeuchi Tb070 Compact Excavator Parts Manual
 - The Rise of Digital Reading Takeuchi Tb070 Compact Excavator Parts Manual
 - Advantages of eBooks Over Traditional Books
2. Identifying Takeuchi Tb070 Compact Excavator Parts Manual
 - Exploring Different Genres
 - Considering Fiction vs. Non-Fiction
 - Determining Your Reading Goals
3. Choosing the Right eBook Platform
 - Popular eBook Platforms
 - Features to Look for in an Takeuchi Tb070 Compact Excavator Parts Manual
 - User-Friendly Interface
4. Exploring eBook Recommendations from Takeuchi Tb070 Compact Excavator Parts Manual
 - Personalized Recommendations
 - Takeuchi Tb070 Compact Excavator Parts Manual User Reviews and Ratings
 - Takeuchi Tb070 Compact Excavator Parts Manual and Bestseller Lists
5. Accessing Takeuchi Tb070 Compact Excavator Parts Manual Free and Paid eBooks

- Takeuchi Tb070 Compact Excavator Parts Manual Public Domain eBooks
 - Takeuchi Tb070 Compact Excavator Parts Manual eBook Subscription Services
 - Takeuchi Tb070 Compact Excavator Parts Manual Budget-Friendly Options
6. Navigating Takeuchi Tb070 Compact Excavator Parts Manual eBook Formats
 - ePub, PDF, MOBI, and More
 - Takeuchi Tb070 Compact Excavator Parts Manual Compatibility with Devices
 - Takeuchi Tb070 Compact Excavator Parts Manual Enhanced eBook Features
 7. Enhancing Your Reading Experience
 - Adjustable Fonts and Text Sizes of Takeuchi Tb070 Compact Excavator Parts Manual
 - Highlighting and Note-Taking Takeuchi Tb070 Compact Excavator Parts Manual
 - Interactive Elements Takeuchi Tb070 Compact Excavator Parts Manual
 8. Staying Engaged with Takeuchi Tb070 Compact Excavator Parts Manual
 - Joining Online Reading Communities
 - Participating in Virtual Book Clubs
 - Following Authors and Publishers Takeuchi Tb070 Compact Excavator Parts Manual
 9. Balancing eBooks and Physical Books Takeuchi Tb070 Compact Excavator Parts Manual
 - Benefits of a Digital Library
 - Creating a Diverse Reading Collection Takeuchi Tb070 Compact Excavator Parts Manual
 10. Overcoming Reading Challenges
 - Dealing with Digital Eye Strain
 - Minimizing Distractions
 - Managing Screen Time
 11. Cultivating a Reading Routine Takeuchi Tb070 Compact Excavator Parts Manual
 - Setting Reading Goals Takeuchi Tb070 Compact Excavator Parts Manual
 - Carving Out Dedicated Reading Time
 12. Sourcing Reliable Information of Takeuchi Tb070 Compact Excavator Parts Manual
 - Fact-Checking eBook Content of Takeuchi Tb070 Compact Excavator Parts Manual
 - Distinguishing Credible Sources
 13. Promoting Lifelong Learning
 - Utilizing eBooks for Skill Development

- Exploring Educational eBooks
14. Embracing eBook Trends
- Integration of Multimedia Elements
 - Interactive and Gamified eBooks

Takeuchi Tb070 Compact Excavator Parts Manual Introduction

Takeuchi Tb070 Compact Excavator Parts Manual Offers over 60,000 free eBooks, including many classics that are in the public domain. Open Library: Provides access to over 1 million free eBooks, including classic literature and contemporary works. Takeuchi Tb070 Compact Excavator Parts Manual Offers a vast collection of books, some of which are available for free as PDF downloads, particularly older books in the public domain. Takeuchi Tb070 Compact Excavator Parts Manual : This website hosts a vast collection of scientific articles, books, and textbooks. While it operates in a legal gray area due to copyright issues, its a popular resource for finding various publications. Internet Archive for Takeuchi Tb070 Compact Excavator Parts Manual : Has an extensive collection of digital content, including books, articles, videos, and more. It has a massive library of free downloadable books. Free-eBooks Takeuchi Tb070 Compact Excavator Parts Manual Offers a diverse range of free eBooks across various genres. Takeuchi Tb070 Compact Excavator Parts Manual Focuses mainly on educational books, textbooks, and business books. It offers free PDF downloads for educational purposes. Takeuchi Tb070 Compact Excavator Parts Manual Provides a large selection of free eBooks in different genres, which are available for download in various formats, including PDF. Finding specific Takeuchi Tb070 Compact Excavator Parts Manual, especially related to Takeuchi Tb070 Compact Excavator Parts Manual, might be challenging as theyre often artistic creations rather than practical blueprints. However, you can explore the following steps to search for or create your own Online Searches: Look for websites, forums, or blogs dedicated to Takeuchi Tb070 Compact Excavator Parts Manual, Sometimes enthusiasts share their designs or concepts in PDF format. Books and Magazines Some Takeuchi Tb070 Compact Excavator Parts Manual books or magazines might include. Look for these in online stores or libraries. Remember that while Takeuchi Tb070 Compact Excavator Parts Manual, sharing copyrighted material without permission is not legal. Always ensure youre either creating your own or obtaining them from legitimate sources that allow sharing and downloading. Library Check if your local library offers eBook lending services. Many libraries have digital catalogs where you can borrow Takeuchi Tb070 Compact Excavator Parts Manual eBooks for free, including popular titles. Online Retailers: Websites like Amazon, Google Books, or Apple Books often sell eBooks. Sometimes, authors or publishers offer promotions or free periods for certain books. Authors Website Occasionally, authors provide excerpts or short stories for free on their websites. While this might not be the Takeuchi Tb070 Compact Excavator Parts Manual full book , it can give you a taste of the authors writing style. Subscription

Services Platforms like Kindle Unlimited or Scribd offer subscription-based access to a wide range of Takeuchi Tb070 Compact Excavator Parts Manual eBooks, including some popular titles.

FAQs About Takeuchi Tb070 Compact Excavator Parts Manual Books

How do I know which eBook platform is the best for me? Finding the best eBook platform depends on your reading preferences and device compatibility. Research different platforms, read user reviews, and explore their features before making a choice. Are free eBooks of good quality? Yes, many reputable platforms offer high-quality free eBooks, including classics and public domain works. However, make sure to verify the source to ensure the eBook credibility. Can I read eBooks without an eReader? Absolutely! Most eBook platforms offer web-based readers or mobile apps that allow you to read eBooks on your computer, tablet, or smartphone. How do I avoid digital eye strain while reading eBooks? To prevent digital eye strain, take regular breaks, adjust the font size and background color, and ensure proper lighting while reading eBooks. What the advantage of interactive eBooks? Interactive eBooks incorporate multimedia elements, quizzes, and activities, enhancing the reader engagement and providing a more immersive learning experience. Takeuchi Tb070 Compact Excavator Parts Manual is one of the best book in our library for free trial. We provide copy of Takeuchi Tb070 Compact Excavator Parts Manual in digital format, so the resources that you find are reliable. There are also many Ebooks of related with Takeuchi Tb070 Compact Excavator Parts Manual. Where to download Takeuchi Tb070 Compact Excavator Parts Manual online for free? Are you looking for Takeuchi Tb070 Compact Excavator Parts Manual PDF? This is definitely going to save you time and cash in something you should think about.

Find Takeuchi Tb070 Compact Excavator Parts Manual :

[2014 released six grade math eog](#)

[section 3 1 the rock cycle answer](#)

[onity ht22 manual](#)

[mini cooper s 20user guide](#)

2nd semester time table for unizulu

12 3 hess law review and reinforcement

~~a familiar taste of seduction~~

2005 hyundai tiburon owners manual

mathematical literacy preparatory exam 2014 first paper memorandum

2nd semester final chemistry high school

2008 ap calculus ab mc answers

2013 mathematics vision project answers probabilities

operating instructions for vax carpet cleaner

pc training college application forms for 2016

2001 holden jackaroo workshop manual

Takeuchi Tb070 Compact Excavator Parts Manual :

relationships biodiversity teacher s overview ny state lab - Sep 26 2022

web mar 22 2016 relationships biodiversity teacher s overview ny state lab mindfulness 39 subscribers subscribe 44 8 8k views 7 years ago more resources and information can be found at

materials relationships biodiversity ny state lab - Jun 23 2022

web materials inspection plates one per group plant draws by botana curus x y and z to make your own place half part vinegar and half part water into a dropper bottle labeled bc and inside to designated z put regular water in a dropper bottle labeled x press for also for one title y test powder this is just baking soda and should be preloaded onto

ny state biology lab guide relationships and biodiversity - Jul 25 2022

web therefore i have created a lab guide that goes along with the relationships and biodiversity lab that has the answer key to the entire lab along with helpful pictures tables and diagrams this 20 page guide is designed to help both teachers and students through the lab in an understandable way it is especially helpful to a special

nys relationships and biodiversity lab answer key unlocking - Apr 21 2022

web sep 24 2023 the nys relationships and biodiversity lab is an important tool in studying the connection between different species and their environments this lab allows students to explore these relationships through data analysis and observation by examining various habitats and the organisms that inhabit them students can gain a

relationships and biodiversity nys lab flashcards quizlet - Jul 05 2023

web test match created by christinaoossa these terms are not actually defined in state labs but are main ideas of what the nys lab talked about terms in this set 21 biodiversity the variety of life in the world or in a particular habitat

materials relationships biodiversity ny state lab weebly - Feb 17 2022

web to begin you will need a relationships and biodiversity lab kit per lab group you can order one using famis funds from the following website ward science unfortunately the kits are overpriced and under stocked in terms of the materials you will

need as a result you may need to make your own plant extracts and acquire additional testing

review sheet nys regents lab activity relationships and biodiversity - Oct 28 2022

web degradation and destruction lead to the loss of genetic biodiversity and increases the chance that an ecosystem will become less stable and collapse procedures safety precautions are moronic for this lab goggles in step 4 5 are for a vinegar and baking soda reaction and paper chromatography using food coloring vinegar and water 1

relationships biodiversity ny state lab complete guide - Sep 07 2023

web overview materials guided directions bulletin board resources your guide to the ny state mandated lab for living environment click on the links below in order to find out what materials you will need to complete the lab for a guided video student walk through of the lab and for all supporting documents needed to complete the lab

living environment regents review aecsd education - Mar 21 2022

web state lab 1 relationships and biodiversity state lab 2 making connections state lab 3 the beaks of finches state lab 4 diffusion through a membrane objective botana curus produces the fictitious compound curol which is

the state education department - Jun 04 2023

web the state education department the university of the state of new york 89 washington avenue room 675 eba albany ny 12234 laboratory activity 1 relationships and biodiversity o laboratory activity 2 making connections o base your answers to questions 3 through 6 on the information and data table below

relationships and biodiversity nys living environment lab youtube - Nov 28 2022

web jun 2 2021 youtube com channel uccme3gbkaaumguyq376onmw sub confirmation 1 directions and pointers for performing and reviewing the relationships and biodive

nys lab relationships biodiversity flashcards quizlet - Jan 31 2023

web verified answer physics a binary star system has two stars each with the same mass as our sun separated by 1 0 times 10¹² 1 0 10¹² m a comet is very far away and essentially at rest slowly but surely gravity pulls the comet toward the stars suppose the comet travels along a trajectory that passes through the midpoint between the

relationships and biodiversity state lab review 1 ppt - Aug 26 2022

web aug 21 2013 relationships and biodiversity state lab review 1 aug 21 2013 1 like 10 986 views download now download to read offline technology business g gparchment follow relationships and biodiversity state lab review 1 download as a pdf or view online for free

relationships and biodiversity state lab new visions science - Dec 30 2022

web 2 3 days students learn about the role of biotechnology in conservation through this mandated state lab resources unit 6 relationships and biodiversity state lab hands on lab previous biotechnology 5e instructional model plan plan for teaching

biotechnology using the 5e instructional model as a framework 8 10 days

relationships and biodiversity nysed lab review - Apr 02 2023

web what does this lab entail seven tests that look at the physical chemical and microscopic characteristics of three plants that may be able to create curiol even though they are not botana curus the plants that does produce it comparison of data to determine relationships define the crucial need for biodiversity

7 nys lab relationships and biodiversity flashcards quizlet - Oct 08 2023

web ny state lab part d of the regents exam in living environment learn with flashcards games and more for free hello quizlet home subjects expert solutions log in sign up 7 nys lab relationships and biodiversity flashcards learn test match structural evidence

nys living environment relationships and biodiversity lab - May 23 2022

web description new york state regents living environment relationships and biodiversity lab review this contains 197 part d questions on the relationships and biodiversity lab from past exams and their answers

relationships and biodiversity flashcards quizlet - May 03 2023

web 2 dna is placed in wells 3 electrical current is ran through gel 4 dna is negative and is attracted to the positive side 5 smallest fragments travel further and banding is compared uses of gel electrophoresis dna relation crime scenes and paternity test which species is most like y to produce curiol z

living environment instructional resources new york state - Aug 06 2023

web oct 10 2018 using the what you absolutely need to know to pass the nys living environment regents exam powerpoint with the content review lessons can give the students a focus point and a different media from the handouts topic 8 ecology section slides 157 178 is particularly helpful as it defines the terms listed in the content review

biology ny state lab biodiversity relationships quizlet - Mar 01 2023

web terms in this set 8 what is botana curus a fictional plant that for the purpose of this lab contains a chemical that can cure cancer why do we want to know if species x y or z is related to botana curus x y or z may also have the chemical that can cure cancer what are examples of structural evidence from the lab

arisa controvento official video sanremo 2014 youtube - Sep 07 2023

web feb 22 2014 168 views 2 hours ago new controvento arisa sanremo 2014 testo di giuseppe anastasiio non credo nei miracoli meglio che ti liberimeglio che ti guardi dentroquesta vita lascia i

english translation of controvento collins online dictionary - Sep 26 2022

web 9 900 followers 866 following 593 posts see instagram photos and videos from controvento controvento oficial

controvento chords by arisa ultimate guitar com - Dec 30 2022

web il brano contro vento è stata scritta da ferdinando arnò e pacifico con il quale malika ayane ha debuttato nel brano verrà l estate in promozione nello stesso periodo di

[controvento trieste updated 2023 prices](#) - Feb 17 2022

web aug 26 2020 il vento contro racconta la storia di danielle che ha sempre dovuto fidarsi ciecamente anche letteralmente di tutto e tutti danielle è cieco dalla nascita ma la sua

controvento in vocabolario treccani treccani - Apr 02 2023

web mar 1 2014 about press copyright contact us creators advertise developers terms privacy policy safety how youtube works test new features nfl sunday ticket press copyright

eros ramazzotti controvento official video youtube - Oct 08 2023

web feb 19 2014 arisa controventowmg 2014 dall album se vedo te brano vincitore del festival di sanremo 2014spotify google play

cover strumentale controvento arisa testo youtube - Oct 28 2022

web english translation of controvento the official collins italian english dictionary online over 100 000 english translations of italian words and phrases

contro vento ferrara antonio amazon com tr kitap - Jun 23 2022

web contro vento controventomusic gmail com belgian italian duo for many occasions like ballroom dance dinners wedding receptions walking dinners anniversary parties

controvento abbigliamento uomo donna bambino facebook - Dec 18 2021

[contro vento wikipedia](#) - Nov 28 2022

web oct 12 2016 acquista le migliori basi musicali e karaoke amzn to 3oavh8t canta con noi e divertiti con gli amici kar

controvento definition in the italian english dictionary - Jan 31 2023

web jun 10 2014 there is no strumming pattern for this song yet create and get 5 iq intro c a f g c a io non credo nei miracoli f meglio che ti liberi g meglio che ti

il vento contro recensione e trama del libro dafne - Nov 16 2021

arisa controvento with lyrics youtube - Aug 06 2023

web oct 9 2009 controvento eros ramazzotti testo una canzone stupenda

stream controvento music listen to songs albums - May 23 2022

web controvento is a multidisciplinary creative collective based in amsterdam and new york with collaborators from all over

the world with a focus on craftsmanship excellent

about controvento - Apr 21 2022

web a multidisciplinary creative collective that engages in exceptional thinking creating unique innovative projects and experiences with meaningful partners

controvento wiktionary the free dictionary - Jul 25 2022

web arama yapmak istediğiniz kategoriye seçin

eros ramazzotti controvento lyrics genius lyrics - Jun 04 2023

web jan 1 2010 i wanted to tell you that everything is ending but there are words that won't come out i wanted to tell you about the times when i couldn't get enough of you and

home controvento - Mar 21 2022

web controvento abbigliamento uomo donna bambino streetwear beachwear otranto 16 070 likes 23 talking about this 4 were here la mission realizziamo prodotti di

controvento trieste prezzi aggiornati per il 2023 - Jan 19 2022

eros ramazzotti controvento youtube - Jul 05 2023

web controvento lyrics ancora non lo sai ma qualcosa dentro mi si è spento È già un po' di tempo che cerco di parlarne a te non hai capito mai non vedevi il mio fiorire lento

eros ramazzotti controvento lyrics english translation - May 03 2023

web controvento controvento o contravvento avv e s m comp di contro o contra e vento 1 avv in senso contrario a quello verso cui spira il vento camminare navigare volare

controvento controvento oficial instagram photos and videos - Aug 26 2022

web italian windward against the wind brace strut stay

arisa controvento testo youtube - Mar 01 2023

web windward adjective adverb facing the wind or on the side facing the wind translation of controvento from the password italian english dictionary 2014 k dictionaries ltd

woo jr kids activities is now in print - Jun 19 2023

web expert word searches for kids ages 9 up really difficult word searches for the true find a word fanatics included are 85 word search puzzles each with 30 words hidden in 1400 letter grids both books are a fantastic screen free resource you can use year round even in the summer for rainy days or travel games

word search for kids ages 6 8 reproducible worksheets for - Nov 12 2022

web word search for kids ages 6 8 reproducible worksheets for classroom homeschool use by woo jr kids activities alibris books children s nonfiction games activities word games word search for kids ages 6 8 reproducible worksheets for classroom homeschool use

word searches for kids puzzles to print - Sep 22 2023

web printable puzzles word searches for kids we hope you love our word searches for kids and use them often here you will find puzzles for children of all ages and some of the harder ones even teens will enjoy these puzzles have so many benefits yet are simple and fun to solve they might not realize it but word finds will encourage children to

printable children s word search for kids english activity twinkl - Jul 20 2023

web back to school word search looking for hard children s word search games in english printable these happy new year differentiated word searches come in a varying degree of difficulty so you can challenge your ks1 children have a browse to find something that s perfect for your class

word search for kids ages 6 8 book by woo jr kids activities - Aug 09 2022

web from woo jr kids activities comes a whole book of some of their all time most popular online content word searches for kids this book includes 90 word search puzzles with excellent educational vocabulary word lists suitable for ages 6 7 and 8 *word search for kids ages 6 8 reproducible worksheets for* - Aug 21 2023

web this book includes 90 word search puzzles with excellent educational vocabulary word lists suitable for ages 6 7 and 8 it s a perfect first word search book all words this is a pdf e book from woo jr kids activities comes a whole book of some of their all time most popular online content word searches for kids

[word search for kids ages 6 8 reproducible worksheets for](#) - Jun 07 2022

web arrives by mon apr 3 buy word search for kids ages 6 8 reproducible worksheets for classroom homeschool use woo jr kids activities books at walmart com

word search for kids ages 6 8 reproducible worksheets for - Oct 11 2022

web find many great new used options and get the best deals for word search for kids ages 6 8 reproducible worksheets for classroom and homeschool use by woo jr kids activities 2016 trade paperback large type large print edition at

word search for kids ages 9 12 reproducible worksheets for - Jul 08 2022

web may 13 2016 jr kids activities comes a whole book of some of their all time most popular online content word searches for kids this book includes nearly 150 word search puzzles with excellent educational vocabulary word

word search for kids ages 6 8 reproducible worksheets for - Sep 10 2022

web abebooks com word search for kids ages 6 8 reproducible worksheets for classroom homeschool use woo jr kids activities books special order direct from the distributor

word search for kids ages 6 8 reproducible worksheets for - May 18 2023

web may 9 2016 word search for kids ages 6 8 reproducible worksheets for classroom homeschool use woo jr kids activities books woo jr kids activities 9780692675984 books amazon ca

34 free word searches for kids the spruce crafts - Jan 14 2023

web may 25 2023 how fun that s funny printable word search puzzle there are 10 hidden words that are all about what someone does when they think something is funny find all 10 words to get the puzzle correct there s also some coloring here making it extra fun medium word searches for kids

kids word search - Mar 04 2022

web this collection of word search puzzles covers kids topics such as children s books television and movies shrek the loveable green ogre voiced by mike myers forms the basis of this word search game toy story a kids classic from pixar all of the popular characters are found here buried in the game grid finding nemo

word search for kids ages 6 8 reproducible worksheets for - Oct 23 2023

web word search for kids ages 6 8 reproducible worksheets for classroom homeschool use 1 activities woo jr kids amazon sg books

word search for kids ages 6 8 reproducible worksheets for - Apr 17 2023

web may 9 2016 word search for kids ages 6 8 reproducible worksheets for classroom homeschool use woo jr kids activities books 1 woo jr kids activities amazon co uk books

amazon com customer reviews word search for kids ages 6 8 - Dec 13 2022

web find helpful customer reviews and review ratings for word search for kids ages 6 8 reproducible worksheets for classroom homeschool use woo jr kids activities books at amazon com read honest and unbiased product reviews from our users

word search for kids ages 6 8 booktopia - Mar 16 2023

web booktopia has word search for kids ages 6 8 reproducible worksheets for classroom homeschool use woo jr kids activities books by woo jr kids activities buy a discounted paperback of word search for kids ages 6 8 online from australia s leading online bookstore

word search for kids ages 6 8 90 reproducible word search - May 06 2022

web add to cart add this copy of word search for kids ages 6 8 90 reproducible word to cart 21 83 new condition sold by revaluation books rated 3 0 out of 5 stars ships from exeter devon united kingdom published 2018 by independently published

word search for kids ages 6 8 reproducible worksheets for - Apr 05 2022

web arrives by thu jun 8 buy word search for kids ages 6 8 reproducible worksheets for classroom homeschool use paperback used 0692675981 9780692675984 at walmart com

word search for kids ages 6 8 reproducible worksheets for alibris - Feb 15 2023

web buy word search for kids ages 6 8 reproducible worksheets for classroom homeschool use woo jr kids activities books by woo jr kids activities online at alibris we have new and used copies available in 1 editions starting at 0 99 shop now