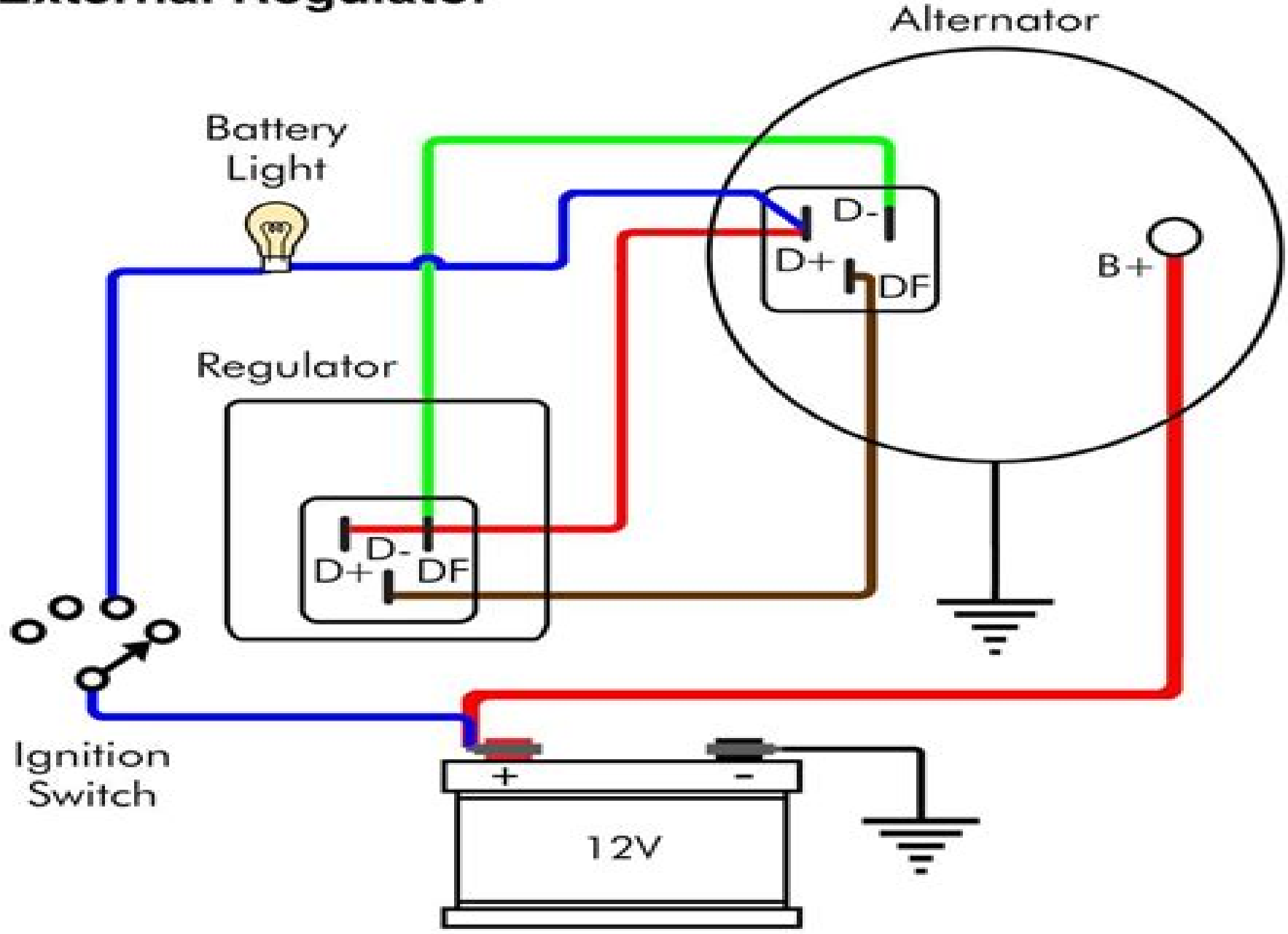


# 4-Wire Alternator with External Regulator



# Bmw Alternator Wiring Diagram

**Marco Casella**



## **Bmw Alternator Wiring Diagram:**

**BMW '02 Restoration Guide** R.M. Clarke,1998-12-25 Restore it right the first time This information packed guide provides all the information you need to restore your prized BMW Contents cover 1600 to 2002 turbo models from the mid 60 s to the mid 70 s and include detailed information on restoring bodywork chassis engine and trim Includes production changes color schemes and history

**Bentley BMW 3 Series Service Manual 1992-1998** Bentley Publishers,1999 If you re looking for better understanding of your E36 BMW look no further See and learn how to perform routine maintenance procedures with the highest level of clarity and comprehensiveness This in depth manual provides maintenance procedures for everything from brake fluid changes to resetting the service indicator Covers M3 318i 323i 325i 328i sedan coupe and convertible models 1992 98

[Bentley BMW 5-Series 1989-95 Service Manual](#) Bentley Publishers,1998-07-03 If you re looking for better understanding of your BMW look no further This manual provides the highest level of clarity and completeness for all service and repair procedures Covers 525i 530i 535i 540i including touring

*BMW 320i Manual* John Haynes,1990-07-30 Haynes disassembles every subject vehicle and documents every step with thorough instructions and clear photos Haynes repair manuals are used by the pros but written for the do it yourselfer

[Chilton's Import Car Repair Manual 1983-90](#) Chilton Automotive Books,1989-10 Maintenance specifications step by step parts replacments

[Toyota Celica Service Manual](#) Robert Bentley, inc,1984

**Chilton's Import Car Repair Manual** Chilton Automotive Editorial Staff,Chilton Book Company,1979 This book includes repair information on cars and light trucks Includes specifications tune ups troubleshooting and diagnosis engine rebuilding emissions controls brakes transmissions and more

*1981 Imported Cars & Trucks Tune-up Mechanical Service & Repair* Mitchell Manuals, inc,1982

*1989 Imported Cars, Light Trucks & Vans Service & Repair* Mitchell International,1990

*BMW Z3 Roadster* ,1998 This Bentley Manual is the only comprehensive single source of service information specifications available for BMW Z3 Roadster from 1996 to 1998 The aim throughout this manual has been simplicity clarity completeness with practical explanations step by step procedures accurate specifications Whether you re a professional or a do it yourself BMW owner this manual will help you understand care for repair your Z3 Roadster

[Automobile Design Liability](#) Richard M. Goodman,1991

**The Electrical Journal** ,1898

*BMW Enthusiast's Companion* BMW Car Club of America,1995 BMW owners and BMW CCA members provide specific information for your BMW Valuable insights and technical information ranging from basic service tips to advanced driving theory Inside secrets on maintaining and preserving your BMW from properly washing and waxing your car to how to reset the service indicator lights Driving techniques ranging from basic car control to choosing apexes on the track Discover whether your car oversteers or understeers and how weight transfer affects traction and vehicle performance Learn the difference between torque and horsepower and how to select the right tires for your BMW Find out which performance modifications work which ones don t and why

**Sports Cars Illustrated** ,1977

*Chilton's Import Car Manual* Chilton

Book Company,1987    **Low Rider** ,1999    **Chilton's Import Car Repair Manual, 1986** ,1985    *Product Safety & Liability Reporter* ,2002    **The New York Times Index** ,1993    Chilton's Import Car Manual 1980-1987 ,

## Embracing the Track of Term: An Mental Symphony within **Bmw Alternator Wiring Diagram**

In a global used by monitors and the ceaseless chatter of instant transmission, the melodic elegance and psychological symphony produced by the published word often diminish in to the back ground, eclipsed by the persistent noise and distractions that permeate our lives. However, located within the pages of **Bmw Alternator Wiring Diagram** an enchanting fictional prize full of natural emotions, lies an immersive symphony waiting to be embraced. Crafted by a wonderful composer of language, that fascinating masterpiece conducts visitors on an emotional journey, skillfully unraveling the concealed tunes and profound affect resonating within each cautiously crafted phrase. Within the depths of the moving analysis, we can explore the book is main harmonies, analyze their enthralling publishing design, and surrender ourselves to the profound resonance that echoes in the depths of readers souls.

[https://auld.rmjm.com/book/uploaded-files/fetch.php/the\\_cash\\_connection.pdf](https://auld.rmjm.com/book/uploaded-files/fetch.php/the_cash_connection.pdf)

### **Table of Contents Bmw Alternator Wiring Diagram**

1. Understanding the eBook Bmw Alternator Wiring Diagram
  - The Rise of Digital Reading Bmw Alternator Wiring Diagram
  - Advantages of eBooks Over Traditional Books
2. Identifying Bmw Alternator Wiring Diagram
  - Exploring Different Genres
  - Considering Fiction vs. Non-Fiction
  - Determining Your Reading Goals
3. Choosing the Right eBook Platform
  - Popular eBook Platforms
  - Features to Look for in an Bmw Alternator Wiring Diagram
  - User-Friendly Interface
4. Exploring eBook Recommendations from Bmw Alternator Wiring Diagram
  - Personalized Recommendations

- Bmw Alternator Wiring Diagram User Reviews and Ratings
- Bmw Alternator Wiring Diagram and Bestseller Lists
- 5. Accessing Bmw Alternator Wiring Diagram Free and Paid eBooks
  - Bmw Alternator Wiring Diagram Public Domain eBooks
  - Bmw Alternator Wiring Diagram eBook Subscription Services
  - Bmw Alternator Wiring Diagram Budget-Friendly Options
- 6. Navigating Bmw Alternator Wiring Diagram eBook Formats
  - ePub, PDF, MOBI, and More
  - Bmw Alternator Wiring Diagram Compatibility with Devices
  - Bmw Alternator Wiring Diagram Enhanced eBook Features
- 7. Enhancing Your Reading Experience
  - Adjustable Fonts and Text Sizes of Bmw Alternator Wiring Diagram
  - Highlighting and Note-Taking Bmw Alternator Wiring Diagram
  - Interactive Elements Bmw Alternator Wiring Diagram
- 8. Staying Engaged with Bmw Alternator Wiring Diagram
  - Joining Online Reading Communities
  - Participating in Virtual Book Clubs
  - Following Authors and Publishers Bmw Alternator Wiring Diagram
- 9. Balancing eBooks and Physical Books Bmw Alternator Wiring Diagram
  - Benefits of a Digital Library
  - Creating a Diverse Reading Collection Bmw Alternator Wiring Diagram
- 10. Overcoming Reading Challenges
  - Dealing with Digital Eye Strain
  - Minimizing Distractions
  - Managing Screen Time
- 11. Cultivating a Reading Routine Bmw Alternator Wiring Diagram
  - Setting Reading Goals Bmw Alternator Wiring Diagram
  - Carving Out Dedicated Reading Time
- 12. Sourcing Reliable Information of Bmw Alternator Wiring Diagram
  - Fact-Checking eBook Content of Bmw Alternator Wiring Diagram

- Distinguishing Credible Sources
- 13. Promoting Lifelong Learning
  - Utilizing eBooks for Skill Development
  - Exploring Educational eBooks
- 14. Embracing eBook Trends
  - Integration of Multimedia Elements
  - Interactive and Gamified eBooks

### **Bmw Alternator Wiring Diagram Introduction**

Free PDF Books and Manuals for Download: Unlocking Knowledge at Your Fingertips In today's fast-paced digital age, obtaining valuable knowledge has become easier than ever. Thanks to the internet, a vast array of books and manuals are now available for free download in PDF format. Whether you are a student, professional, or simply an avid reader, this treasure trove of downloadable resources offers a wealth of information, conveniently accessible anytime, anywhere. The advent of online libraries and platforms dedicated to sharing knowledge has revolutionized the way we consume information. No longer confined to physical libraries or bookstores, readers can now access an extensive collection of digital books and manuals with just a few clicks. These resources, available in PDF, Microsoft Word, and PowerPoint formats, cater to a wide range of interests, including literature, technology, science, history, and much more. One notable platform where you can explore and download free Bmw Alternator Wiring Diagram PDF books and manuals is the internet's largest free library. Hosted online, this catalog compiles a vast assortment of documents, making it a veritable goldmine of knowledge. With its easy-to-use website interface and customizable PDF generator, this platform offers a user-friendly experience, allowing individuals to effortlessly navigate and access the information they seek. The availability of free PDF books and manuals on this platform demonstrates its commitment to democratizing education and empowering individuals with the tools needed to succeed in their chosen fields. It allows anyone, regardless of their background or financial limitations, to expand their horizons and gain insights from experts in various disciplines. One of the most significant advantages of downloading PDF books and manuals lies in their portability. Unlike physical copies, digital books can be stored and carried on a single device, such as a tablet or smartphone, saving valuable space and weight. This convenience makes it possible for readers to have their entire library at their fingertips, whether they are commuting, traveling, or simply enjoying a lazy afternoon at home. Additionally, digital files are easily searchable, enabling readers to locate specific information within seconds. With a few keystrokes, users can search for keywords, topics, or phrases, making research and finding relevant information a breeze. This efficiency saves time and effort, streamlining the learning process and allowing individuals to focus on extracting the

information they need. Furthermore, the availability of free PDF books and manuals fosters a culture of continuous learning. By removing financial barriers, more people can access educational resources and pursue lifelong learning, contributing to personal growth and professional development. This democratization of knowledge promotes intellectual curiosity and empowers individuals to become lifelong learners, promoting progress and innovation in various fields. It is worth noting that while accessing free Bmw Alternator Wiring Diagram PDF books and manuals is convenient and cost-effective, it is vital to respect copyright laws and intellectual property rights. Platforms offering free downloads often operate within legal boundaries, ensuring that the materials they provide are either in the public domain or authorized for distribution. By adhering to copyright laws, users can enjoy the benefits of free access to knowledge while supporting the authors and publishers who make these resources available. In conclusion, the availability of Bmw Alternator Wiring Diagram free PDF books and manuals for download has revolutionized the way we access and consume knowledge. With just a few clicks, individuals can explore a vast collection of resources across different disciplines, all free of charge. This accessibility empowers individuals to become lifelong learners, contributing to personal growth, professional development, and the advancement of society as a whole. So why not unlock a world of knowledge today? Start exploring the vast sea of free PDF books and manuals waiting to be discovered right at your fingertips.

### **FAQs About Bmw Alternator Wiring Diagram Books**

How do I know which eBook platform is the best for me? Finding the best eBook platform depends on your reading preferences and device compatibility. Research different platforms, read user reviews, and explore their features before making a choice. Are free eBooks of good quality? Yes, many reputable platforms offer high-quality free eBooks, including classics and public domain works. However, make sure to verify the source to ensure the eBook credibility. Can I read eBooks without an eReader? Absolutely! Most eBook platforms offer webbased readers or mobile apps that allow you to read eBooks on your computer, tablet, or smartphone. How do I avoid digital eye strain while reading eBooks? To prevent digital eye strain, take regular breaks, adjust the font size and background color, and ensure proper lighting while reading eBooks. What the advantage of interactive eBooks? Interactive eBooks incorporate multimedia elements, quizzes, and activities, enhancing the reader engagement and providing a more immersive learning experience. Bmw Alternator Wiring Diagram is one of the best book in our library for free trial. We provide copy of Bmw Alternator Wiring Diagram in digital format, so the resources that you find are reliable. There are also many Ebooks of related with Bmw Alternator Wiring Diagram. Where to download Bmw Alternator Wiring Diagram online for free? Are you looking for Bmw Alternator Wiring Diagram PDF? This is definitely going to save you time and cash in something you should think about. If you trying to find then search around for



online. Without a doubt there are numerous these available and many of them have the freedom. However without doubt you receive whatever you purchase. An alternate way to get ideas is always to check another Bmw Alternator Wiring Diagram. This method for see exactly what may be included and adopt these ideas to your book. This site will almost certainly help you save time and effort, money and stress. If you are looking for free books then you really should consider finding to assist you try this. Several of Bmw Alternator Wiring Diagram are for sale to free while some are payable. If you arent sure if the books you would like to download works with for usage along with your computer, it is possible to download free trials. The free guides make it easy for someone to free access online library for download books to your device. You can get free download on free trial for lots of books categories. Our library is the biggest of these that have literally hundreds of thousands of different products categories represented. You will also see that there are specific sites catered to different product types or categories, brands or niches related with Bmw Alternator Wiring Diagram. So depending on what exactly you are searching, you will be able to choose e books to suit your own need. Need to access completely for Campbell Biology Seventh Edition book? Access Ebook without any digging. And by having access to our ebook online or by storing it on your computer, you have convenient answers with Bmw Alternator Wiring Diagram To get started finding Bmw Alternator Wiring Diagram, you are right to find our website which has a comprehensive collection of books online. Our library is the biggest of these that have literally hundreds of thousands of different products represented. You will also see that there are specific sites catered to different categories or niches related with Bmw Alternator Wiring Diagram So depending on what exactly you are searching, you will be able to choose ebook to suit your own need. Thank you for reading Bmw Alternator Wiring Diagram. Maybe you have knowledge that, people have search numerous times for their favorite readings like this Bmw Alternator Wiring Diagram, but end up in harmful downloads. Rather than reading a good book with a cup of coffee in the afternoon, instead they juggled with some harmful bugs inside their laptop. Bmw Alternator Wiring Diagram is available in our book collection an online access to it is set as public so you can download it instantly. Our digital library spans in multiple locations, allowing you to get the most less latency time to download any of our books like this one. Merely said, Bmw Alternator Wiring Diagram is universally compatible with any devices to read.

### **Find Bmw Alternator Wiring Diagram :**

[the cash connection](#)

*the case for palestine*

**the childrens literature of peter hacks d.d.r. studien/e. german studies vol 2**

[the castaway the new zealanders volume 1](#)

**the celebrity address handbook**

**the choice of achilles the ideology of figure in the epic**

[the chipmunks birthday surprise](#)

**the chimera**

[the carlos complex a study in terror](#)

**the chess terrorists handbook first edition**

[the case of the mischievous doll](#)

**the children are free reexamining the biblical evidence on same-sex relationships**

*the catacombs of rome roma subterranea novissima 1659 printed sources of western art ser*

**the case for liberty**

~~the-challenger-disaster-houghton-mifflin-leveled-library-journey-into-space-theme~~

**Bmw Alternator Wiring Diagram :**

**vegan diet 101 a complete beginner s guide from expert** - Feb 17 2023

web oct 18 2023 discover free recipes health and nutrition facts expert reviews and dos and don ts for the vegan diet at u s news and world report

*go vegan what is veganism understanding veganism* - Apr 19 2023

web home go vegan definition of veganism veganism is a philosophy and way of living which seeks to exclude as far as is possible and practicable all forms of exploitation of and cruelty to animals for food clothing or any other purpose and by extension promotes the development and use of animal free alternatives for the benefit of

*veganlık vikipedi* - Aug 23 2023

web vegan kelimesi ilk olarak 1944 yılında the vegan society nin kurucularından donald watson tarafından ortaya atıldı donald watson veganlığı şu şekilde tanımlıyordu veganlık hayvanlar alemine dair sömürü ve zulmün tüm biçimlerini dışlamanın ve yaşamı gözetmenin yoludur

*vegan nedir veganlar ne yer yemek com* - Jun 21 2023

web mar 13 2015 vegan nedir vegan beslenme hakkında merak edilenler veganlık aslında daha yeni yeni duymaya alıştığımız ve etrafımızda lafı edildiğinde artık şaşkınlık yaratmayan vejetaryen beslenme nin bir türüdür daha sıkı ve katı kuralları olanıdır

**what is veganism the spruce eats** - May 20 2023

web dec 22 2022 illustration nusha ashjaee the spruce 2018 veganism is a type of vegetarian diet that excludes meat eggs dairy products and all other animal derived ingredients many vegans also do not eat foods that are processed using animal

products such as refined white sugar and some wines

*veganism definition history facts britannica* - Jan 16 2023

web veganism the theory or practice of abstaining from the consumption and use of animal products while some vegans avoid only animal derived food many others also exclude any items that use animals as ingredients or for testing these prohibited products can range from clothing e g leather to

**what is a vegan diet basics ethics and foods list healthline** - Jul 22 2023

web aug 26 2019 bottom line a vegan diet or veganism tends to omit animal products for ethical health or environmental reasons once considered a niche diet veganism has gone mainstream so much so that

**the vegan diet a complete guide for beginners healthline** - Mar 18 2023

web nov 1 2016 a vegan diet can help you lose weight and drastically improve your health if done right here is a detailed beginner s guide to going vegan

*vegan nutrition wikipedia* - Dec 15 2022

web vegan nutrition refers to the nutritional and human health aspects of vegan diets a well planned balanced vegan diet is suitable to meet all recommendations for nutrients in every stage of human life 1 vegan diets tend to be higher in dietary fiber magnesium folic acid vitamin c vitamin e iron and phytochemicals and lower in

*veganism wikipedia* - Sep 24 2023

web veganism is the practice of abstaining from the use of animal product particularly in diet and an associated philosophy that rejects the commodity status of animals c a person who follows the diet or philosophy is known as a vegan distinctions may be made between several categories of veganism

**designing and managing the supply chain concepts vitalsource** - Jul 31 2022

web designing and managing the supply chain concepts strategies and case studies description designing and managing the supply chain is a supply chain management text that is not too technical contains the breadth and depth that the topic deserves and is appropriate for teaching supply chain management to business or engineering

*designing and managing the supply chain by david simchi levi* - Mar 07 2023

web jan 8 2023 september 19 2008 created by importbot imported from miami university of ohio marc record designing and managing the supply chain by david simchi levi philip kaminsky edith simchi levi 2003 mcgraw hill irwin edition in english 2nd ed

*connect online access for designing and managing the supply chain* - Apr 08 2023

web get the 4e of connect online access for designing and managing the supply chain by david simchi levi philip kaminsky and edith simchi levi textbook ebook and other options isbn 9781259997709 copyright 2022

**designing and managing the supply chain 3e with student cd simchi** - Jan 05 2023

web jul 23 2007 designing and managing the supply chain 3e with student cd simchi levi david kaminsky philip simchi levi edith on amazon com free shipping on qualifying offers designing and managing the supply chain 3e with student cd [designing and managing the supply chain concepts econbiz](#) - May 09 2023

web designing and managing the supply chain concepts strategies and case studies ill graph darst kt systemvoraussetzungen microsoft windows 2000 xp vista minimum 256 mb main memory 512 recommended 10 mb or better free hard disk space microsoft excel 2000 or better microsoft internet explorer 6 or better

**designing and managing the supply chain archive org** - Jul 11 2023

web designing and managing the supply chain concepts strategies and case studies by simchi levi david author [designing and managing the supply chain by david simchi levi](#) - Feb 06 2023

web dec 5 2022 overview view 3 editions details reviews lists related books last edited by importbot december 5 2022 history edit an edition of designing and managing the supply chain 2007 designing and managing the supply chain concepts strategies and case studies third edition special indian edition

**designing and managing the supply chain concepts strategies** - Jun 10 2023

web designing and managing the supply chain concepts strategies and case

**designing and managing the supply chain concepts strategies and** - Sep 13 2023

web may 10 2011 designing and managing the supply chain concepts strategies and case studies david simchi levi philip kaminsky edith simchi levi

**designing and managing the supply chain simchi levi david** - May 29 2022

web this introduction to issues pertinent to supply chain management discusses topics ranging from the basics such as inventory management logistics network design and distributions systems to the more advanced such as strategic alliances the value of information in the supply chain and international issues in supply chain management

**a simpler way to modernize your supply chain harvard business review** - Nov 03 2022

web a simpler way to modernize your supply chain how to spend less and accomplish more by david simchi levi and kris timmermans from the magazine september october 2021 bernhard lang

**designing managing the supply chain paperback 22 may** - Dec 04 2022

web buy designing managing the supply chain book online at low prices in india designing managing the supply chain reviews ratings amazon in books higher education textbooks business finance buy new 666 00 m r p 840 00 save 174 00 21 inclusive of all taxes free delivery friday 28 july details

*designing and managing the supply chain archive org* - Jan 25 2022

web english xxvii 354 pages 27 cm introduction to supply chain management logistics network configuration inventory management and risk pooling the value of information supply chain integration strategic alliances procurement and outsourcing strategies international issues in supply chain management coordinated

**designing and managing the supply chain paperback amazon in** - Jun 29 2022

web details sold by the booktown see this image designing and managing the supply chain paperback illustrated 16 october 2007 by david simchi levi author philip kaminsky author 4 4 50 ratings

*designing and managing the supply chain google books* - Apr 27 2022

web designing and managing the supply chain concepts strategies and case studies volume 2 david simchi levi philip kaminsky edith simchi levi mcgraw hill professional 2003 business

*designing and managing the supply chain google books* - Mar 27 2022

web bibtext endnote refman as the most up to date cutting edge supply chain management book on the market the third edition of designing and managing the supply chain discusses the problems

**designing and managing the supply chain concepts strategies** - Sep 01 2022

web designing and managing the supply chain concepts strategies and cases w cd rom package book plus cd rom edition by david simchi levi author philip kaminsky author 1 more 4 1 42 ratings see all formats and editions hardcover 6 05 23 used from 2 08 3 new from 30 00

*designing and managing the supply chain ghent university library* - Feb 23 2022

web simchi levi david philip kaminsky and edith simchi levi designing and managing the supply chain concepts strategies and case studies 2nd ed boston mass mcgraw hill 2003 apa simchi levi d kaminsky p simchi levi e 2003

**pdf designing and managing the supply chain concepts strategies** - Aug 12 2023

web pdf on mar 1 2001 paul d larson published designing and managing the supply chain concepts strategies and case studies david simchi levi philip kaminsky edith simchi levi

**designing and managing the supply chain by david simchi levi goodreads** - Oct 02 2022

web jan 1 1999 as the most up to date cutting edge supply chain management book on the market the third edition of designing and managing the supply chain discusses the problems models and concepts derived from issues related to effective supply chain management while many core supply chain management issues are interrelated the

**the buried life death and revolution in egypt amazon de** - Jul 01 2022

web in the buried hessler traces the human stories alongside the broader sweep of historic events tahrir square the massacres and the coup form the background but so too do

*the buried life death and revolution in egypt abebooks* - Oct 04 2022

web buried the life death and revolution in egypt peter hessler format hardback publisher profile books ltd published 2nd may 19 25 00

*the buried life death and revolution in egypt paperback* - Mar 29 2022

web may 2 2019 in the buried hessler traces the human stories alongside the broader sweep of historic events tahrir square the massacres and the coup form the background but

**the buried life death and revolution in egypt** - Feb 08 2023

web in 2011 the world s eyes were on egypt as revolution swept across the country but what lay below the surface of events was harder to see living in cairo over the following

**the buried life death and revolution in egypt** - Mar 09 2023

web may 2 2019 the buried life death and revolution in egypt kindle edition by hessler peter download it once and read it on your kindle device pc phones or tablets use

the buried life death and revolution in egypt google play - Jan 07 2023

web may 2 2019 the buried an archaeology of the egyptian revolution is mr hessler s closely observed touching and at times amusing chronicle of this tumultuous time

*the buried life death and revolution in egypt google books* - Nov 24 2021

*the buried life death and revolution in egypt by peter hessler* - Aug 02 2022

web the buried life death and revolution in egypt hessler peter amazon com au books

*the buried by peter hessler review life death and revolution in* - Jun 12 2023

web may 2 2019 in the buried peter hessler brings to life the secret history of the arab spring masterfully weaving together a memoir of his time in cairo with the hidden

the buried life death and revolution in egypt kindle edition - Nov 05 2022

web may 2 2019 from the protests in tahrir square to egypt s first democratic elections and on to the massacres the coup and its aftermath the buried follows the ongoing events

**the buried life death and revolution in egypt** - Jul 13 2023

web dec 18 2019 the buried by peter hessler review life death and revolution in egypt history books the guardian two women supporters of the deposed president

**buried the life death and revolution in egypt** - May 31 2022

web the buried life death and revolution in egypt ebook hessler peter amazon com au kindle store

**the buried life death and revolution in egypt audible** - Sep 22 2021

**the buried life death and revolution in egypt english edition** - Sep 03 2022

web buy the buried life death and revolution in egypt online on amazon eg at best prices fast and free shipping free returns cash on delivery available on eligible purchase

*the buried life death and revolution in egypt hardcover* - Oct 24 2021

the buried life death and revolution in egypt google books - Aug 14 2023

web jul 2 2020 in the buried hessler traces the human stories alongside the broader sweep of historic events tahrir square the massacres and the coup form the background but so too do ancient cults

*the buried life death and revolution in egypt kindle edition* - Jan 27 2022

web amazon com the buried life death and revolution in egypt audible audio edition peter hessler peter hessler audible studios books

**the buried life death and revolution in egypt kindle edition** - Dec 26 2021

*the buried life death and revolution in egypt* - May 11 2023

web the buried life death and revolution in egypt ebook written by peter hessler read this book using google play books app on your pc android ios devices download for

*pdf the buried by peter hessler ebook perlego* - Feb 25 2022

web the buried life death and revolution in egypt hessler peter amazon com au books

the buried life death and revolution in egypt unabridged - Dec 06 2022

web the greatest contribution of the buried to the shelf of english language books on the arab spring is the intimately detailed depictions it provides of a handful of ordinary politically

**the buried life death and revolution in egypt buy online at** - Apr 29 2022

web jul 1 2023 the buried life death and revolution in egypt ebook hessler peter amazon in kindle store skip to main content in hello select your address kindle store

*the buried life death and revolution in egypt* - Apr 10 2023

web nov 12 2019 in 2011 the world s eyes were on egypt as revolution swept across the country but what lay below the surface of events was harder to see living in cairo over