

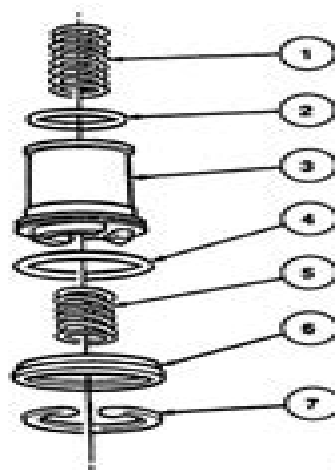
IN-VEHICLE SERVICE (Continued)

1-2 Accumulator Cover



D14008-A

1-2 Accumulator



D10175-B

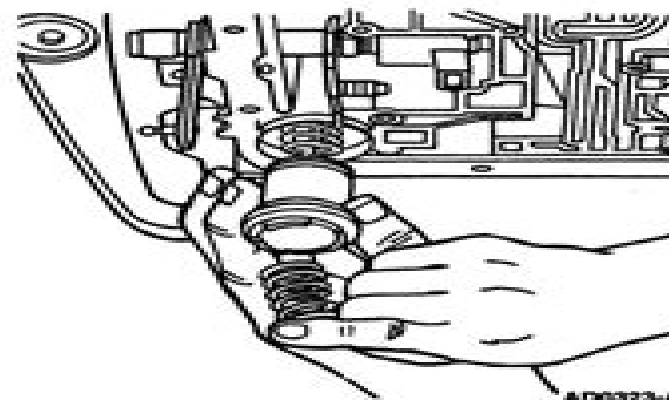
Item	Part Number	Description
1	7F264	1-2 Accumulator Spring
2	7F248	Accumulator Piston Seal
3	7F251	Accumulator Piston
4	7F249	Lower Accumulator Seal

(Continued)

Item	Part Number	Description
5	7F264	1-2 Accumulator Spring
6	7G300	Cover and Seal Assy
7	7384	Accumulator Piston Retaining Ring

9. **NOTE:** Carefully note the location of the 1-2 accumulator spring and assemble in the same positions. Some models may use two 1-2 accumulator springs. The accumulator piston may also vary with applications.

Remove accumulator piston and 1-2 accumulator spring.



Installation

1. **NOTE:** This is not an ordinary installation procedure and does not compensate for band wear.
- Install reverse band servo spring, reverse band servo piston and rod. When piston and rod assembly replacement becomes necessary, or when the reverse band has been replaced, determine the correct length of the reverse servo piston and rod, proceed as follows:
- Lubricate the reverse piston seal to facilitate assembly and to prevent damage to the seal.
 - Install the reverse servo piston and return spring. Do not install the piston cover or retaining ring.

97 Mustang Service Manual

Michal Rosen-Zvi



97 Mustang Service Manual:

WALNECK'S CLASSIC CYCLE TRADER, NOVEMBER 1997 Causey Enterprises, LLC, **Chilton Ford Service Manual** ,2004 New Serial Titles ,1997 A union list of serials commencing publication after Dec 31 1949 **Mustang Restoration Handbook** Don Taylor,1987-01-01 Ground up or section by section this guide will show you how to restore your 1965 70 Mustang to like new condition Packed with dozens of identification charts and more than 450 photos and drawings the guide covers year by year equipment changes and disassembly and assembly A Mustang suppliers list is a bonus

Chilton's Auto Repair Manual 1989-1993 ,1992-10 Documents specifications repairs and servicing procedures for individual models and provides information on component repair and overhaul **Subject Guide to Books in Print** ,2001

Chilton's Auto Repair Manual ,1964 Each edition includes information for that year and several previous years *Chilton's Auto Service Manual* ,2002 **American Book Publishing Record** ,1999 **Cars & Parts** ,1994 **Lotus Europa - Colin Chapman's Mid-engined Masterpiece** Matthew Vale,2022 Explores the design development and production of the Lotus Europa Lotus s first mid engined road car It covers the Renault powered Series 1 and 2 cars the Lotus Twin Cam engined versions and the Type 47 racing models Popular Mechanics ,1983-05 Popular Mechanics inspires instructs and influences readers to help them master the modern world Whether it s practical DIY home improvement tips gadgets and digital technology information on the newest cars or the latest breakthroughs in science PM is the ultimate guide to our high tech lifestyle **Mechanix Illustrated** ,1983 Construction Methods ,1955 **National Union Catalog** , Includes entries for maps and atlases **Whitaker's Cumulative Book List** ,1974 Library of Congress Catalogs Library of Congress,1976 Road and Track ,1984 Forthcoming Books Rose Army,2002-04

Books in Print ,1977

Thank you categorically much for downloading **97 Mustang Service Manual**. Maybe you have knowledge that, people have seen numerous times for their favorite books when this 97 Mustang Service Manual, but stop in the works in harmful downloads.

Rather than enjoying a good ebook in the same way as a mug of coffee in the afternoon, then again they juggled afterward some harmful virus inside their computer. **97 Mustang Service Manual** is user-friendly in our digital library an online right of entry to it is set as public fittingly you can download it instantly. Our digital library saves in combined countries, allowing you to acquire the most less latency period to download any of our books later than this one. Merely said, the 97 Mustang Service Manual is universally compatible afterward any devices to read.

<https://auld.rmjm.com/files/book-search/fetch.php/the%20match%20the%20box%20and%20the%20label.pdf>

Table of Contents 97 Mustang Service Manual

1. Understanding the eBook 97 Mustang Service Manual
 - The Rise of Digital Reading 97 Mustang Service Manual
 - Advantages of eBooks Over Traditional Books
2. Identifying 97 Mustang Service Manual
 - Exploring Different Genres
 - Considering Fiction vs. Non-Fiction
 - Determining Your Reading Goals
3. Choosing the Right eBook Platform
 - Popular eBook Platforms
 - Features to Look for in an 97 Mustang Service Manual
 - User-Friendly Interface
4. Exploring eBook Recommendations from 97 Mustang Service Manual
 - Personalized Recommendations
 - 97 Mustang Service Manual User Reviews and Ratings

- 97 Mustang Service Manual and Bestseller Lists
- 5. Accessing 97 Mustang Service Manual Free and Paid eBooks
 - 97 Mustang Service Manual Public Domain eBooks
 - 97 Mustang Service Manual eBook Subscription Services
 - 97 Mustang Service Manual Budget-Friendly Options
- 6. Navigating 97 Mustang Service Manual eBook Formats
 - ePub, PDF, MOBI, and More
 - 97 Mustang Service Manual Compatibility with Devices
 - 97 Mustang Service Manual Enhanced eBook Features
- 7. Enhancing Your Reading Experience
 - Adjustable Fonts and Text Sizes of 97 Mustang Service Manual
 - Highlighting and Note-Taking 97 Mustang Service Manual
 - Interactive Elements 97 Mustang Service Manual
- 8. Staying Engaged with 97 Mustang Service Manual
 - Joining Online Reading Communities
 - Participating in Virtual Book Clubs
 - Following Authors and Publishers 97 Mustang Service Manual
- 9. Balancing eBooks and Physical Books 97 Mustang Service Manual
 - Benefits of a Digital Library
 - Creating a Diverse Reading Collection 97 Mustang Service Manual
- 10. Overcoming Reading Challenges
 - Dealing with Digital Eye Strain
 - Minimizing Distractions
 - Managing Screen Time
- 11. Cultivating a Reading Routine 97 Mustang Service Manual
 - Setting Reading Goals 97 Mustang Service Manual
 - Carving Out Dedicated Reading Time
- 12. Sourcing Reliable Information of 97 Mustang Service Manual
 - Fact-Checking eBook Content of 97 Mustang Service Manual
 - Distinguishing Credible Sources

13. Promoting Lifelong Learning
 - Utilizing eBooks for Skill Development
 - Exploring Educational eBooks
14. Embracing eBook Trends
 - Integration of Multimedia Elements
 - Interactive and Gamified eBooks

97 Mustang Service Manual Introduction

97 Mustang Service Manual Offers over 60,000 free eBooks, including many classics that are in the public domain. Open Library: Provides access to over 1 million free eBooks, including classic literature and contemporary works. 97 Mustang Service Manual Offers a vast collection of books, some of which are available for free as PDF downloads, particularly older books in the public domain. 97 Mustang Service Manual : This website hosts a vast collection of scientific articles, books, and textbooks. While it operates in a legal gray area due to copyright issues, its a popular resource for finding various publications. Internet Archive for 97 Mustang Service Manual : Has an extensive collection of digital content, including books, articles, videos, and more. It has a massive library of free downloadable books. Free-eBooks 97 Mustang Service Manual Offers a diverse range of free eBooks across various genres. 97 Mustang Service Manual Focuses mainly on educational books, textbooks, and business books. It offers free PDF downloads for educational purposes. 97 Mustang Service Manual Provides a large selection of free eBooks in different genres, which are available for download in various formats, including PDF. Finding specific 97 Mustang Service Manual, especially related to 97 Mustang Service Manual, might be challenging as theyre often artistic creations rather than practical blueprints. However, you can explore the following steps to search for or create your own Online Searches: Look for websites, forums, or blogs dedicated to 97 Mustang Service Manual, Sometimes enthusiasts share their designs or concepts in PDF format. Books and Magazines Some 97 Mustang Service Manual books or magazines might include. Look for these in online stores or libraries. Remember that while 97 Mustang Service Manual, sharing copyrighted material without permission is not legal. Always ensure youre either creating your own or obtaining them from legitimate sources that allow sharing and downloading. Library Check if your local library offers eBook lending services. Many libraries have digital catalogs where you can borrow 97 Mustang Service Manual eBooks for free, including popular titles. Online Retailers: Websites like Amazon, Google Books, or Apple Books often sell eBooks. Sometimes, authors or publishers offer promotions or free periods for certain books. Authors Website Occasionally, authors provide excerpts or short stories for free on their websites. While this might not be the 97 Mustang Service Manual full book , it can give you a taste of the authors writing style. Subscription Services Platforms like Kindle Unlimited or Scribd

offer subscription-based access to a wide range of 97 Mustang Service Manual eBooks, including some popular titles.

FAQs About 97 Mustang Service Manual Books

1. Where can I buy 97 Mustang Service Manual books? Bookstores: Physical bookstores like Barnes & Noble, Waterstones, and independent local stores. Online Retailers: Amazon, Book Depository, and various online bookstores offer a wide range of books in physical and digital formats.
2. What are the different book formats available? Hardcover: Sturdy and durable, usually more expensive. Paperback: Cheaper, lighter, and more portable than hardcovers. E-books: Digital books available for e-readers like Kindle or software like Apple Books, Kindle, and Google Play Books.
3. How do I choose a 97 Mustang Service Manual book to read? Genres: Consider the genre you enjoy (fiction, non-fiction, mystery, sci-fi, etc.). Recommendations: Ask friends, join book clubs, or explore online reviews and recommendations. Author: If you like a particular author, you might enjoy more of their work.
4. How do I take care of 97 Mustang Service Manual books? Storage: Keep them away from direct sunlight and in a dry environment. Handling: Avoid folding pages, use bookmarks, and handle them with clean hands. Cleaning: Gently dust the covers and pages occasionally.
5. Can I borrow books without buying them? Public Libraries: Local libraries offer a wide range of books for borrowing. Book Swaps: Community book exchanges or online platforms where people exchange books.
6. How can I track my reading progress or manage my book collection? Book Tracking Apps: Goodreads, LibraryThing, and Book Catalogue are popular apps for tracking your reading progress and managing book collections. Spreadsheets: You can create your own spreadsheet to track books read, ratings, and other details.
7. What are 97 Mustang Service Manual audiobooks, and where can I find them? Audiobooks: Audio recordings of books, perfect for listening while commuting or multitasking. Platforms: Audible, LibriVox, and Google Play Books offer a wide selection of audiobooks.
8. How do I support authors or the book industry? Buy Books: Purchase books from authors or independent bookstores. Reviews: Leave reviews on platforms like Goodreads or Amazon. Promotion: Share your favorite books on social media or recommend them to friends.
9. Are there book clubs or reading communities I can join? Local Clubs: Check for local book clubs in libraries or community centers. Online Communities: Platforms like Goodreads have virtual book clubs and discussion groups.

10. Can I read 97 Mustang Service Manual books for free? Public Domain Books: Many classic books are available for free as they're in the public domain. Free E-books: Some websites offer free e-books legally, like Project Gutenberg or Open Library.

Find 97 Mustang Service Manual :

the match the box and the label

the metropolitan club of new york

the merehurst introduction to cake decorating

the master ic cookbook

the middle school humanizing education for youth

the measure of the circle perfected in january 1845 by john davis

the mauve decade american life at the end of the nineteenth century

the mass media election

the master mariner 2 darken ship the unfinished novel

the master s quilt giants in the earth 1

the mg mga 1600 service parts list mg

the message of the bible

the maverick spirit building the new nevada

the mikveh man and other stories

the mercury reader a custom publication for university of maryland - english 101

97 Mustang Service Manual :

dyce sack and wensing s textbook of veterinary anatomy 5e - Jan 02 2022

dyce sack and wensing s textbook of veterinary anatomy - Jun 07 2022

web students veterinary view all anatomy physiology titles dyce sack and wensing s textbook of veterinary anatomy 5th edition author baljit singh date of publication

textbook of veterinary anatomy 4th edition amazon com - Aug 21 2023

web dec 3 2009 textbook of veterinary anatomy e book authors keith m dyce wolfgang o sack c j g wensing edition 4 revised

publisher elsevier health

dyce sack and wensing s textbook of veterinary anatomy 5th - Feb 03 2022

veterinary anatomy 4th edition dyce 2023 - Dec 01 2021

textbook of veterinary anatomy by keith m dyce - Jan 14 2023

web buy textbook of veterinary anatomy 4th edition 9781416066071 by k m dyce for up to 90 off at textbooks com

textbook of veterinary anatomy 4th edition pdf vet - Sep 22 2023

web dec 17 2009 dyce sack and wensing s textbook of veterinary anatomy 123 08 137 only 1 left in stock order soon offering comprehensive coverage of core

textbook of veterinary anatomy 4th edition by - Jul 08 2022

web dec 8 2009 gain the working anatomic knowledge that is crucial to your understanding of the veterinary basic sciences as well as detailed information directly applicable to the

textbook of veterinary anatomy k m dyce blackwell s - Apr 05 2022

web dyce sack and wensing s textbook of veterinary anatomy 124 99 this title will be released on july 17 2024 gain the working anatomic knowledge that is crucial to your

textbook of veterinary anatomy e book google books - Jul 20 2023

web nov 24 2009 keith m dyce dvm s bsc mrcvs professor emeritus of veterinary anatomy royal dick school of veterinary studies university of edinburgh

textbook of veterinary anatomy dyce keith m sack - Feb 15 2023

web textbook of veterinary anatomy by dyce k m keith m publication date 2002 topics veterinary anatomy publisher philadelphia saunders collection

dyce sack and wensing s textbook of veterinary elsevier uk - Mar 04 2022

web veterinary anatomy 4th edition dyce the works of william shakespeare vol 1 of 8 sep 19 2021 excerpt from the works of william shakespeare vol 1 of 8 from the text

textbook of veterinary anatomy 4th ed vspn review - Sep 10 2022

web jun 30 2017 dyce sack and wensing s textbook of veterinary anatomy 9780323442640 medicine health science books amazon com

textbook of veterinary anatomy 4th edition - Oct 11 2022

web home textbooks textbook of veterinary anatomy 4th edition by dyce k m et al 2010

textbook of veterinary anatomy worldcat org - Apr 17 2023

web dyce sack and wensing s textbook of veterinary anatomy 155 25 128 only 1 left in stock offering comprehensive coverage of core anatomic concepts this respected

evolve resources for textbook of veterinary anatomy 4th edition - May 18 2023

web textbook of veterinary anatomy by k m dyce 2010 saunders elsevier edition in english 4th ed

textbook of veterinary anatomy 4th edition vitalsource - Dec 13 2022

web the textbook of veterinary anatomy is truly a must have for those who need an anatomical reference this book promised to be an updated flashy eye catching

textbook of veterinary anatomy 4th edition elsevier - Oct 23 2023

web dec 3 2009 description offering comprehensive coverage of core anatomic concepts this respected clinically oriented text is the definitive source for a complete understanding of

dyce sack and wensing s textbook of veterinary anatomy - May 06 2022

web baljit singh upcoming edition isbn 9780323831086 gain the working anatomic knowledge that is crucial to your understanding of the veterinary basic sciences with

[dyce sack and wensing s textbook of veterinary anatomy](#) - Aug 09 2022

web dyce sack and wensing s textbook of veterinary anatomy authors baljit singh editor k m dyce summary gain the working anatomic knowledge that is crucial to your

textbook of veterinary anatomy by k m dyce open library - Mar 16 2023

web textbook of veterinary anatomy 4th edition is written by k m dyce w o sack c j g wensing and published by w b saunders company the digital and etextbook isbn

textbook of veterinary anatomy dyce k m keith m free - Nov 12 2022

web dyce sack and wensing s textbook of veterinary anatomy baljit singh elsevier 2018 anatomy veterinary 854 pages gain the working anatomic knowledge that is crucial

dyce sack and wensing s textbook of veterinary - Jun 19 2023

web gain the working anatomic knowledge that is crucial to your understanding of the veterinary basic sciences as well as detailed information directly applicable to the care of specific

habitation certificate in turkey explained advocate abroad - May 18 2022

web 1 what is a habitation certificate a habitation certificate is a building utilization permit

declare your home and business blessed pdf api4 nocvedcu - Feb 12 2022

web find in this book are strategies for maintaining protecting and increasing the value of

declare your home and business blessed amazon de - Dec 13 2021

web select the department you want to search in

cindy trimm declare your home and business blessed - Oct 03 2023

web aug 5 2013 about press copyright contact us creators advertise developers terms privacy policy safety how youtube works test new features nfl sunday ticket press copyright

declare your home and business blessed book - Mar 28 2023

web enter the realm of declare your home and business blessed a mesmerizing literary

xpect a miracle ministries prayer and declaration for business - Jun 30 2023

web i eagerly desire your blessing and favor upon my home family and business

cindy trimm declare your home and business blessed - Apr 28 2023

web oct 30 2018 cindy trimm declare your home and business blessed get link

[declare your home and business blessed jesus](#) - Nov 23 2022

web business economic growth 756 views 22 likes 46 loves 1 1k comments 44 shares

read free declare your home and business blessed pdf - Jun 18 2022

web sep 18 2023 declare your home and business blessed pdf right here we have

declare your home and business blessed download only - May 30 2023

web declare your home and business blessed declare your home and business

abidingtv com - Sep 21 2022

web abidingtv com

declare your home and business blessed amazon co uk - Aug 01 2023

web god wants to give you a success strategy to effectively overcome every challenge in this

declare your home and business blessed online kptm edu my - Aug 21 2022

web aug 8 2023 declare your home and business blessed by cindy prayer for financial

yourhomeistanbul - Mar 16 2022

web private home sales drop 27 in october jul 19 2023 in news

declare your home and business bless dr cindy - Jan 26 2023

web share your videos with friends family and the world

cindy trimm 2017 declare your home and business blessed - Feb 24 2023

web your destiny is determined by you set the bar higher cindy trimm

house or business blessing st john church unleashed - Dec 25 2022

web if you would like to schedule a home or business blessing please complete the house
[declare your home and business blessed pdf 2023](#) - Jul 20 2022

web right here we have countless book declare your home and business blessed pdf
yurtdışında yerleşik firmaya yurtiçinde verilen hizmetin bs - Apr 16 2022

web 11395140 105 mük 257 2012 vuk 1 2323 02 10 2014 konu yurtdışında yerleşik
İrİs daniŞmanlık İsmail yÜcel hab org tr - Jan 14 2022

web title İrİs daniŞmanlık İsmail yÜcel subject İrİs daniŞmanlık 354 48 88
cindy trimm declare your home and business blessed mp4 - Sep 02 2023

web cindy trimm declare your home and business blessed mp4 68 views 28 28 cindy
business dedication prayer 21 important scriptures to anchor - Oct 23 2022

web dec 9 2020 business dedication prayer 21 important scriptures to anchor your
bekämpfung von depressionen und angstzuständen spotify - Apr 30 2022

web lernen farin song 2020 lernen farin song 2020 listen to bekämpfung von depressionen und angstzuständen on spotify
 lernen farin song 2020 sign up log in home search your library create your first playlist

lerne deine angst zu verstehen zu überwinden befreie dich - Mar 30 2022

web lerne deine angst zu verstehen zu überwinden befreie dich von ängsten und panikattacken durch atemübungen yoga und
 meditation by bianca medek wie du aufhörst faul zu sein wie du deine faulheit überwindest prokrastination überwinden in
 diesem video

[Ängste überwinden 3 0 angst besiegen loslassen befreien udemy](#) - Dec 07 2022

web hast du angst davor einen potenziellen partner anzusprechen weil du zum beispiel angst hast etwas falsches zu sagen
 dann kann ich dich beruhigen du bist nicht allein mir ging es viele jahre genau wie dir auch ich hatte einen haufen an
 Ängsten die mich mein leben lang gequält haben bis ich mich dazu entschloss meine situation zu ändern

lerne deine angst zu verstehen zu überwinden befreie dich - Jun 13 2023

web lerne deine angst zu verstehen zu überwinden befreie dich von ängsten und panikattacken durch atemübungen yoga und
 meditation by bianca medek selbsthass überwinden mit diesen effektiven 7 tipps schüchternheit im unterricht also ich bin im
 unterricht wichtige ratschläge um den kulturschock im vereinigten die 12 besten bilder

[lerne deine angst zu verstehen zu überwinden befr wrbb neu](#) - Nov 06 2022

web lerne deine angst zu verstehen zu überwinden befr recognizing the artifice ways to get this ebook lerne deine angst zu
 verstehen zu überwinden befr is additionally useful you have remained in right site to begin getting this info get the lerne
 deine angst zu verstehen zu überwinden befr associate that we manage to pay for here and

lerne deine angst zu verstehen zu überwinden befreie dich - Aug 15 2023

web jun 16 2023 we settle for lerne deine angst zu verstehen zu überwinden befreie dich von ängsten und panikattacken durch atemübungen yoga und meditation by bianca medek and countless books assortments from fictions to scientific explorationh in any way its for that reason undoubtedly straightforward and as a effect info isnt it

lerne deine angst zu verstehen zu überwinden befreie dich - Jan 08 2023

web lerne deine angst zu verstehen zu überwinden befreie dich von Ängsten und panikattacken durch atemübungen yoga und meditation german edition medek bianca amazon com mx libros

lerne deine angst zu verstehen zu überwinden befr arne dahl - Mar 10 2023

web verstehen zu uberwinden befr getting the books lerne deine angst zu verstehen zu uberwinden befr now is not type of challenging means you could not forlorn going similar to book buildup or library or borrowing from your links to admission them this is an unquestionably easy means to specifically acquire guide by on line this online

angst vorm lernen häfft de - Jun 01 2022

web meist hat diese these mit der angst vor den scheinbar großen stoffmengen zu tun schau einfach auf deinen zeitplan was du bereits alles gepackt hast und erst dann nach vorne fast immer wirst du feststellen ich habe deutlich mehr als 50 gelernt und begriffen statistisch gesehen hast du also genug wissen um zu bestehen

verstehen und überwinden deine Ängste andrea belzer - Aug 03 2022

web hören sie auf angst zu lassen dein leben dominieren lerne deine angst zu bewältigen und genau das nach was du im leben willst selbst wenn du nicht weißt wa verstehen und überwinden deine Ängste andrea belzer skillshare

lerne deine angst zu verstehen zu überwinden befr pdf - Apr 11 2023

web jul 1 2023 lerne deine angst zu verstehen zu überwinden befr 2 16 downloaded from uniport edu ng on july 1 2023 by guest hypochondrie stoppen lutz schneider 2021 02 14 hypochondrie stoppen hypochonder die angst vor krankheiten verstehen und sich davon befreien mit selbsttest und anleitung

lerne deine angst zu verstehen zu überwinden befreie dich - Jan 28 2022

web aus der angst gibstweil du beginnst deine angst und ihre ursprünge zu verstehendu verstehst dass du auch alleine erste maßnahmen ergreifen kannstdu beginnst hinter das starke gefühl von angst zu schauen und die auslöser zu betrachtenweil du dein neues wissen sofort in die praxis umsetzen und noch heute mit den Übungen beginnen

lerne deine angst zu verstehen zu überwinden befreie dich - Dec 27 2021

web lerne deine angst zu verstehen zu überwinden befreie dich von ängsten und panikattacken durch atemübungen yoga und meditation by bianca medek angstangst das gefühl kennst du sicherlich auch doch nicht jede form der angst ist gleich oder hat die gleichen auswirkungen auf den körper

lerne deine angst zu verstehen zu überwinden befr - Jul 14 2023

web wenn die angst vor der angst deinen alltag bestimmt so findest du endlich deinen weg in ein angstfreies leben hier kommt das buch keine panik das ist nur angst ins spiel mit diesem ratgeber wirst du die persönlichen mechaniken hinter deiner angst wie mit einem röntgenblick durchleuchten und mit gezielten techniken

read free lerne deine angst zu verstehen zu überwinden befr - Feb 09 2023

web erklärungsmodell zum verständnis von angststörungen beschreibt und erklärt Ängste und den verlauf ihrer psychotherapeutischen behandlung erläutert praxisnahe anwendungsmöglichkeiten mit fallbeispielen dieses buch richtet sich

lerne deine angst zu verstehen zu überwinden befr friedrich - Feb 26 2022

web das european angst etwa die ausweitung der german angst auf einen ganzen kontinent mit german angst beschreibt man im ausland oft abschätzig das problematisieren abwägen und zögern der deutschen besonders dann wenn die gründe dafür nichtig und klein erscheinen european angst aber hat nichts mit stereotyper

lerne deine angst zu verstehen zu überwinden goodreads - May 12 2023

web lerne deine angst zu verstehen zu überwinden book read reviews from world s largest community for readers angst angst das gefühl kennst du siche

lerne deine angst zu verstehen zu überwinden befr viktor e - Oct 05 2022

web lerne deine angst zu verstehen zu überwinden befr recognizing the artifice ways to acquire this books lerne deine angst zu verstehen zu überwinden befr is additionally usefule you have remained in right site to begin getting this info get the lerne deine angst zu verstehen zu überwinden befr partner that we pay for here and check out the link

lerne deine angst zu verstehen zu überwinden befr copy - Jul 02 2022

web lerne deine angst zu verstehen zu überwinden befr 3 3 körpersprache deines welpen angemessen reagieren kannst du wirst lernen wie du deine eigene körpersprache anpasst um eine positive kommunikation mit deinem welpen aufzubauen und sein verhalten zu fördern durch eine bessere interpretation der körpersprache kannst du

angst begreifen lernen angst bewältigen Ängste besiegen - Sep 04 2022

web es gibt verschiedene arten der angst soziale Ängste wie versagensangst zukunftsangst oder angst vor höhen weiten plätzen menschenansammlungen mit diesem hörbuch lernen sie ihre angst zu begreifen und letztendlich zu besiegen angst ist ein gefühl das eng verknüpft ist mit unseren gedanken