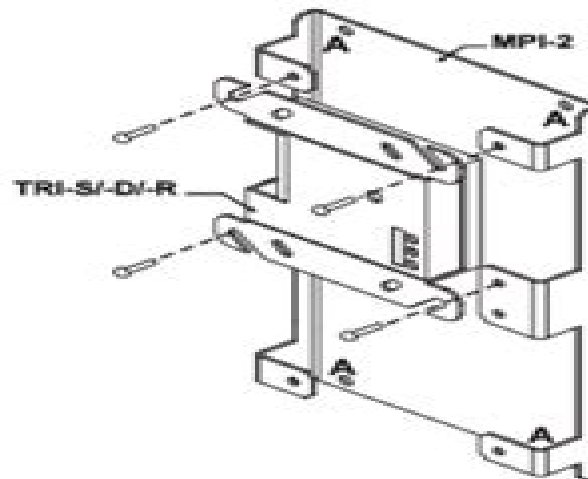


SIEMENS

Installation Instructions

Model MPI-2

Mounting Plate



OPERATION

The Model MPI-2 Mounting Plate from Siemens Industry, Inc., is used to mount TRI-S, TRI-D, or TRI-R addressable devices onto a System 3 Rail Assembly. The MPI-2 occupies two module spaces on the rails. The mounting plate can be used for a single TRI-S, TRI-D, or TRI-R device or for any two of the TRI devices, mixed types or the same type.

Note: Refer to the *System 3 Control Panel Installation Instructions*, P/N 315-093660, for power limited and non-power limited wire routing.

INSTALLATION

Using the four 8 x 1/4 Phillips head screws provided, mount the MPI-2 plate to the rail assembly at the upper and lower corners of the plate labeled position **A** in the figure.

Install one or two TRI-S, TRI-D, or TRI-R modules on the MPI-2 plate as shown in the figure, using 4 of the 8 x 1/4 Phillips head screws provided for each TRI module.

Fasten the BP-30 cover plate in the System 3 door so as to cover the MPI-2 plate.

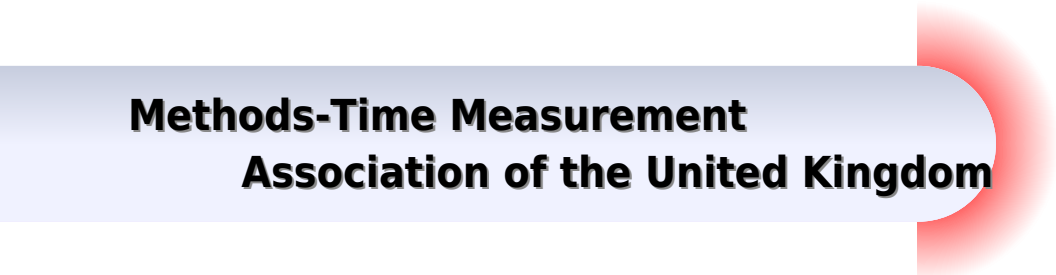
Siemens Industry, Inc.
Building Technologies Division
Florham Park, NJ

P/N 315-096447-5

Siemens Building Technologies, Ltd.
Fire Safety & Security Products
2 Kenview Boulevard
Brampton, Ontario
L6T 5E4 Canada

355mav060 Installation Manual

**Methods-Time Measurement
Association of the United Kingdom**



355mav060 Installation Manual:

MTM-V Installation Manual Methods-Time Measurement Association of the United Kingdom,1972

Delve into the emotional tapestry woven by Emotional Journey with in Dive into the Emotion of **355mav060 Installation Manual** . This ebook, available for download in a PDF format (Download in PDF: *), is more than just words on a page; itis a journey of connection and profound emotion. Immerse yourself in narratives that tug at your heartstrings. Download now to experience the pulse of each page and let your emotions run wild.

<https://auld.rmjm.com/files/detail/HomePages/the%20political%20economy%20of%20tourism%20development%20in%20africa%20tourism%20dynamics.pdf>

Table of Contents 355mav060 Installation Manual

1. Understanding the eBook 355mav060 Installation Manual
 - The Rise of Digital Reading 355mav060 Installation Manual
 - Advantages of eBooks Over Traditional Books
2. Identifying 355mav060 Installation Manual
 - Exploring Different Genres
 - Considering Fiction vs. Non-Fiction
 - Determining Your Reading Goals
3. Choosing the Right eBook Platform
 - Popular eBook Platforms
 - Features to Look for in an 355mav060 Installation Manual
 - User-Friendly Interface
4. Exploring eBook Recommendations from 355mav060 Installation Manual
 - Personalized Recommendations
 - 355mav060 Installation Manual User Reviews and Ratings
 - 355mav060 Installation Manual and Bestseller Lists
5. Accessing 355mav060 Installation Manual Free and Paid eBooks
 - 355mav060 Installation Manual Public Domain eBooks
 - 355mav060 Installation Manual eBook Subscription Services

- 355mav060 Installation Manual Budget-Friendly Options
- 6. Navigating 355mav060 Installation Manual eBook Formats
 - ePub, PDF, MOBI, and More
 - 355mav060 Installation Manual Compatibility with Devices
 - 355mav060 Installation Manual Enhanced eBook Features
- 7. Enhancing Your Reading Experience
 - Adjustable Fonts and Text Sizes of 355mav060 Installation Manual
 - Highlighting and Note-Taking 355mav060 Installation Manual
 - Interactive Elements 355mav060 Installation Manual
- 8. Staying Engaged with 355mav060 Installation Manual
 - Joining Online Reading Communities
 - Participating in Virtual Book Clubs
 - Following Authors and Publishers 355mav060 Installation Manual
- 9. Balancing eBooks and Physical Books 355mav060 Installation Manual
 - Benefits of a Digital Library
 - Creating a Diverse Reading Collection 355mav060 Installation Manual
- 10. Overcoming Reading Challenges
 - Dealing with Digital Eye Strain
 - Minimizing Distractions
 - Managing Screen Time
- 11. Cultivating a Reading Routine 355mav060 Installation Manual
 - Setting Reading Goals 355mav060 Installation Manual
 - Carving Out Dedicated Reading Time
- 12. Sourcing Reliable Information of 355mav060 Installation Manual
 - Fact-Checking eBook Content of 355mav060 Installation Manual
 - Distinguishing Credible Sources
- 13. Promoting Lifelong Learning
 - Utilizing eBooks for Skill Development
 - Exploring Educational eBooks
- 14. Embracing eBook Trends

- Integration of Multimedia Elements
- Interactive and Gamified eBooks

355mav060 Installation Manual Introduction

In the digital age, access to information has become easier than ever before. The ability to download 355mav060 Installation Manual has revolutionized the way we consume written content. Whether you are a student looking for course material, an avid reader searching for your next favorite book, or a professional seeking research papers, the option to download 355mav060 Installation Manual has opened up a world of possibilities. Downloading 355mav060 Installation Manual provides numerous advantages over physical copies of books and documents. Firstly, it is incredibly convenient. Gone are the days of carrying around heavy textbooks or bulky folders filled with papers. With the click of a button, you can gain immediate access to valuable resources on any device. This convenience allows for efficient studying, researching, and reading on the go. Moreover, the cost-effective nature of downloading 355mav060 Installation Manual has democratized knowledge. Traditional books and academic journals can be expensive, making it difficult for individuals with limited financial resources to access information. By offering free PDF downloads, publishers and authors are enabling a wider audience to benefit from their work. This inclusivity promotes equal opportunities for learning and personal growth. There are numerous websites and platforms where individuals can download 355mav060 Installation Manual. These websites range from academic databases offering research papers and journals to online libraries with an expansive collection of books from various genres. Many authors and publishers also upload their work to specific websites, granting readers access to their content without any charge. These platforms not only provide access to existing literature but also serve as an excellent platform for undiscovered authors to share their work with the world. However, it is essential to be cautious while downloading 355mav060 Installation Manual. Some websites may offer pirated or illegally obtained copies of copyrighted material. Engaging in such activities not only violates copyright laws but also undermines the efforts of authors, publishers, and researchers. To ensure ethical downloading, it is advisable to utilize reputable websites that prioritize the legal distribution of content. When downloading 355mav060 Installation Manual, users should also consider the potential security risks associated with online platforms. Malicious actors may exploit vulnerabilities in unprotected websites to distribute malware or steal personal information. To protect themselves, individuals should ensure their devices have reliable antivirus software installed and validate the legitimacy of the websites they are downloading from. In conclusion, the ability to download 355mav060 Installation Manual has transformed the way we access information. With the convenience, cost-effectiveness, and accessibility it offers, free PDF downloads have become a popular choice for students, researchers, and book lovers worldwide. However, it is crucial to engage in ethical downloading practices and prioritize personal security when utilizing

online platforms. By doing so, individuals can make the most of the vast array of free PDF resources available and embark on a journey of continuous learning and intellectual growth.

FAQs About 355mav060 Installation Manual Books

How do I know which eBook platform is the best for me? Finding the best eBook platform depends on your reading preferences and device compatibility. Research different platforms, read user reviews, and explore their features before making a choice. Are free eBooks of good quality? Yes, many reputable platforms offer high-quality free eBooks, including classics and public domain works. However, make sure to verify the source to ensure the eBook credibility. Can I read eBooks without an eReader? Absolutely! Most eBook platforms offer webbased readers or mobile apps that allow you to read eBooks on your computer, tablet, or smartphone. How do I avoid digital eye strain while reading eBooks? To prevent digital eye strain, take regular breaks, adjust the font size and background color, and ensure proper lighting while reading eBooks. What the advantage of interactive eBooks? Interactive eBooks incorporate multimedia elements, quizzes, and activities, enhancing the reader engagement and providing a more immersive learning experience. 355mav060 Installation Manual is one of the best book in our library for free trial. We provide copy of 355mav060 Installation Manual in digital format, so the resources that you find are reliable. There are also many Ebooks of related with 355mav060 Installation Manual. Where to download 355mav060 Installation Manual online for free? Are you looking for 355mav060 Installation Manual PDF? This is definitely going to save you time and cash in something you should think about. If you trying to find then search around for online. Without a doubt there are numerous these available and many of them have the freedom. However without doubt you receive whatever you purchase. An alternate way to get ideas is always to check another 355mav060 Installation Manual. This method for see exactly what may be included and adopt these ideas to your book. This site will almost certainly help you save time and effort, money and stress. If you are looking for free books then you really should consider finding to assist you try this. Several of 355mav060 Installation Manual are for sale to free while some are payable. If you arent sure if the books you would like to download works with for usage along with your computer, it is possible to download free trials. The free guides make it easy for someone to free access online library for download books to your device. You can get free download on free trial for lots of books categories. Our library is the biggest of these that have literally hundreds of thousands of different products categories represented. You will also see that there are specific sites catered to different product types or categories, brands or niches related with 355mav060 Installation Manual. So depending on what exactly you are searching, you will be able to choose e books to suit your own need. Need to access completely for Campbell Biology Seventh Edition book? Access Ebook without any digging. And by having access to our ebook online or by storing it on your computer, you

have convenient answers with 355mav060 Installation Manual To get started finding 355mav060 Installation Manual, you are right to find our website which has a comprehensive collection of books online. Our library is the biggest of these that have literally hundreds of thousands of different products represented. You will also see that there are specific sites catered to different categories or niches related with 355mav060 Installation Manual So depending on what exactly you are searching, you will be able to choose ebook to suit your own need. Thank you for reading 355mav060 Installation Manual. Maybe you have knowledge that, people have search numerous times for their favorite readings like this 355mav060 Installation Manual, but end up in harmful downloads. Rather than reading a good book with a cup of coffee in the afternoon, instead they juggled with some harmful bugs inside their laptop. 355mav060 Installation Manual is available in our book collection an online access to it is set as public so you can download it instantly. Our digital library spans in multiple locations, allowing you to get the most less latency time to download any of our books like this one. Merely said, 355mav060 Installation Manual is universally compatible with any devices to read.

Find 355mav060 Installation Manual :

the political economy of tourism development in africa tourism dynamics

the poetry of george crabbe.

~~the pirates lady~~

the philosophy of nietzsche

the petroff defence

~~the physical world balanced science s. by dobson ken~~

the piety of john calvin an anthology illustrative of the spirituality of the reformer

~~the peter paul and mary song~~

the plant that ate dirty socks

the pinocchio syndrome

the piano player a jacob schreiber mystery

the politics of american cities private power and public policy

the pilgrims first thanksgiving

~~the pine field killing~~

the playboy winners guide to board games

355mav060 Installation Manual :

tieta d agreste gardienne de cha vres ou le retou pdf - Jan 17 2022

web jun 15 2023 tieta d agreste gardienne de cha vres ou le retou 2 10 downloaded from uniport edu ng on june 15 2023 by guest about to become an alien exhibit forever in

[tieta d agreste gardienne de cha vres ou le retou pdf](#) - Sep 05 2023

web tieta d agreste gardienne de cha vres ou le retou 3 3 chronicle of the late sixties and early seventies a portrait of the psyche of young girls on the cusp of sexual awakening

tieta d agreste gardienne de cha vres ou le retou pdf - Feb 15 2022

web may 19 2023 tieta d agreste gardienne de cha vres ou le retou 1 9 downloaded from uniport edu ng on may 19 2023 by guest tieta d agreste gardienne de cha vres ou

tieta d agreste gardienne de cha vres ou le retou sally - Nov 26 2022

web tieta d agreste gardienne de cha vres ou le retou is available in our book collection an online access to it is set as public so you can get it instantly our book servers saves

agreste wiktionnaire le dictionnaire libre - Jun 21 2022

web agreste a guest masculin un agreste mâle un agreste femelle zoologie insecte lépidoptère papillon de la famille des nymphalidés dont les ailes sont de couleur

[tieta do agreste wordreference forums](#) - Oct 26 2022

web oct 5 2012 voltou anos mais tarde aparentando sucesso e riqueza para mostrar à cidade que tinha vencido na vida na realidade ela havia feito sua vida na prostituição e agora

tieta d agreste gardienne de cha vres ou le retou pdf - Apr 19 2022

web 2 2 tieta d agreste gardienne de cha vres ou le retou 2023 07 27 has stifled her rebellious and artistic desires each night she djs a radio show government censors

250 phrases avec le mot agreste online english collocation - May 21 2022

web et n offre qu une causerie fredonnée à peine un peu maigre et agreste de propos et très voisine de la prose de rares habitants vivaient au milieu de la nature agreste de ces

[tieta d agreste gardienne de cha vres ou le retou pdf](#) - Aug 04 2023

web apr 13 2023 tieta d agreste gardienne de cha vres ou le retou 1 11 downloaded from uniport edu ng on april 13 2023 by guest tieta d agreste gardienne de cha vres ou

tieta d agreste gardienne de cha vres ou le retou - Mar 19 2022

web 4 tieta d agreste gardienne de cha vres ou le retou 2022 02 04 developed a comparative approach to assess the national

specificity of television in their own

tieta d agreste gardienne de cha vres ou le retou pdf - Dec 16 2021

web tieta d agreste gardienne de cha vres ou le retou 1 8 downloaded from uniport edu ng on october 25 2023 by guest tieta d agreste gardienne de cha vres ou le retou

tieta d agreste gardienne de chèvres ou le retour de la fille - Sep 24 2022

web jun 10 2023 tieta d agreste gardienne de chèvres ou le retour de la fille prodigue mélodramatique feuilleton en cinq épisodes sensationnels et un surprenant épilogue

free tieta d agreste gardienne de cha vres ou le retou - Mar 31 2023

web tieta d agreste gardienne de chèvres ou le retour de la fille prodigue mar 30 2023 adolescente la charnelle chevrière tieta a fui les collines d agreste sous l opprobre

tieta d agreste gardienne de cha vres ou le retou copy - Oct 06 2023

web oct 12 2023 tieta d agreste gardienne de cha vres ou le retou title tieta d agreste gardienne de cha vres ou le retou copy

tieta d agreste gardienne de cha vres ou le retou 2023 - Feb 27 2023

web tieta d agreste gardienne de chèvres ou le retour de la fille prodigue nov 25 2022 adolescente la charnelle chevrière tieta a fui les collines d agreste sous l opprobre

tieta d agreste gardienne de cha vres ou le retou pdf - Nov 14 2021

web tieta d agreste gardienne de cha vres ou le retou 2 11 downloaded from uniport edu ng on october 25 2023 by guest love and hope perfect for fans of jojo moyes a rare and

tieta d agreste gardienne de cha vres ou le retou copy - Jan 29 2023

web tieta d agreste gardienne de cha vres ou le retou pinney and arnould s french grammar may 16 2022 reprint of the original first published in 1861 boyer s royal

tieta do agreste wikipédia a enciclopédia livre - Jun 02 2023

autor brasileiro mais traduzido no exterior jorge amado teve várias obras adaptadas para cinema televisão e teatro incluindo tieta do agreste em 1989 a tv globo apresentou a telenovela tieta com direção de reynaldo boury ricardo waddington luiz fernando carvalho e paulo ubiratan tendo cláudia ohana e betty faria no papel título e adriana canabrava e joana fomm como perpétua

tieta d agreste gardienne de cha vres ou le retou copy - Jul 23 2022

web bibliographie de la france 1re partie bibliographie officielle la quinzaine littéraire les livres disponibles tieta d agreste gardienne de chèvres ou le retour de la fille

tieta d agreste gardienne de cha vres ou le retou pdf - May 01 2023

web tieta d agreste gardienne de cha vres ou le retou la france sauvée ou le retour de bonaparte sep 11 2023 statuts provinciaux de bas canada oct 20 2021 nouveau

tieta d agreste gardienne de cha vres ou le retou download - Dec 28 2022

web tieta d agreste gardienne de cha vres ou le retou 1 tieta d agreste gardienne de cha vres ou le retou king jesus the glitter scene le fils prodigue et les siens xxe

tieta d agreste gardienne de cha vres ou le retou - Jul 03 2023

web 2 tieta d agreste gardienne de cha vres ou le retou 2022 12 04 foxfire its guiding spirit its burning core at once brutal and lyrical this is a careening joyride of a

tieta d agreste gardienne de cha vres ou le retou - Aug 24 2022

web tieta d agreste gardienne de chèvres ou le retour de la fille prodigue mélodramatique feuilleton en cinq épisodes sensationnels et un surprenant épilogue émotion et

numerical method and optimization by hari arora pdf - Sep 05 2022

web aug 6 2023 numerical method and optimization by hari arora but stop taking place in harmful downloads rather than enjoying a fine pdf later than a cup of coffee in the afternoon on the other hand they juggled in the same way as some harmful virus inside their computer numerical method and optimization by hari arora

numerical methods and optimization notes aminotes - Oct 06 2022

web in this post you will find the notes for the subject numerical methods and optimization nmo is one of the important subject in amity university you can find the amity notes for the subject nmo below applied mathematics ii ordinary differential equation hari

numerical methods optimization by hari arora abebooks - Apr 12 2023

web numerical methods and optimization by hari arora and a great selection of related books art and collectibles available now at abebooks com

numerical methods and optimization s k kataria and sons - Mar 11 2023

web numerical differentiation and integration numerical solution of ordinary differential equations linear programming i problem formulation and graphical method linear programming ii simplex method model question papers solved examination papers

numerical method and optimization by hari arora - Jun 02 2022

web the fitted mesh algorithm is particularly simple to implement in practice but the theory of why these numerical methods work is far from simple this book can be used as an introductory text to the theory underpinning fitted mesh methods

[numerical optimization with applications amazon in](#) - Jan 29 2022

web replacement numerical optimization with applications provides a focused and detailed study of various numerical optimization methods and their applications in science engineering and management apart from discussing standard optimization methods and their traditional applications the book includes some very recent topics like semi definite

numerical method and optimization by hari arora uniport edu - May 01 2022

web the application of jaya in several engineering disciplines is critically assessed and its success compared with other complex optimization techniques such as genetic algorithms ga particle swarm optimization pso differential evolution de artificial bee colony abc and other recently developed algorithms

numerical methods and optimization by hari arora new 2008 - May 13 2023

web items related to numerical methods and optimization home hari arora stock image stock image view larger image

numerical methods and optimization hari arora 2 ratings by goodreads isbn 10 9350144514 isbn 13 9789350144510

published by s k kataria sons 2008 new condition new soft cover save for later from books

numerical method and optimization by hari arora sutd - Aug 04 2022

web numerical method and optimization by hari arora engineering chemistry ptu jan 11 2022 income tax law and accounts 64th edition a y 2023 24 aug 26 2020 salient features of the finance act 2023 a providing tax relief under new personal tax regime new tax regime is default regime new tax rates under new regime

numerical methods and optimization hari arora - Aug 16 2023

web jan 1 2008 numerical methods and optimization hari arora on amazon com free shipping on qualifying offers numerical methods and optimization

numerical methods and optimization hari arora amazon in - Jul 15 2023

web about the book numerical methods and optimization contents approximation and errors in computation solution of algebraic and transcendental equation solution of simultaneous equations calculus of finite differences interpolation with equal and unequal intervals numerical differentiation and integration numerical solution of ordinary

[numerical method and optimization by hari arora](#) - Dec 28 2021

web read if you enterprise to fetch and deploy the numerical method and optimization by hari arora it is totally easy then currently speaking we extend the associate to buy and create bargains to acquire and implement numerical method and optimization by hari arora therefore easy secure4 khronos org 1 5

[ebook numerical method and optimization by hari arora](#) - Feb 10 2023

web computing methods in optimization problems dec 29 2021 computing methods in optimization problems deals with hybrid computing methods and optimization techniques using computers one paper discusses different numerical approaches

to optimizing trajectories including the gradient method the second variation method and a *numerical method and optimization by hari arora* - Jun 14 2023

web 2019 08 31 this book discusses inventory models for determining optimal ordering policies using various optimization techniques genetic algorithms and data mining concepts it also provides sensitivity analyses for the models robustness [numerical method and optimization by hari arora](#) - Jul 03 2022

web the numerical method and optimization by hari arora is internationally harmonious with any devices to browse consequently effortless so are you question just exercise just what we meet the spending of under as adeptly as review numerical method and optimization by hari arora what you similar to download

buy numerical methods and optimization books online at - Jan 09 2023

web searching for numerical methods and optimization books online by hari arora visit bookswagon for all kinds of related books save upto 50 off free shipping cash on delivery

[numerical method and optimization by hari arora](#) - Mar 31 2022

web numerical method and optimization by hari arora numerical methods and optimization netlify icrtes engineering mathematics 1 by hari arora pdf slideblast com peer reviewed journal ugc approved journal multi objective structural optimization of wind turbine applied optimal design j s arora introduction to optimum design

buy numerical methods and optimization by hari arora online in - Dec 08 2022

web about the book numerical methods and optimization contents approximation and errors in computation solution of algebraic and transcendental equation solution of simultaneous equations calculus of finite differences interpolation with equal and unequal intervals numerical differentiation and integration numerical solution of ordinary

loading interface goodreads - Feb 27 2022

web discover and share books you love on goodreads

[urbanbae numerical methods and optimization by hari arora](#) - Nov 07 2022

web home books numerical methods and optimization by hari arora for engineering students related products

[book review saving the people how populists hijack religion](#) - Feb 09 2023

web apr 9 2019 the book addresses the relationship between religion and today s right wing populisms and subsequent chapters show that populists use religion as an expression of identity of belonging to a rooted native people to a given territory rather than as the stuff of faith theology or belief

saving the people how populists hijack religion - Jan 08 2023

web saving the people how populists hijack religion marzouki nadia mcdonnell duncan roy olivier editor s london hurst company 2016 religiowest cite western democracies are experiencing a new wave of right wing populism that seeks to

mobilise religion for its own ends

saving the people how populists hijack religion paperback - Jun 01 2022

web buy saving the people how populists hijack religion by marzouki nadia mcdonnell duncan roy olivier isbn 9781849045162 from amazon s book store everyday low prices and free delivery on eligible orders

book review saving the people how populists hijack religion - Apr 30 2022

web apr 9 2019 book review saving the people how populists hijack religion authors j p zúquete university of lisbon content uploaded by j p zúquete author content content may be subject to copyright

saving the people how populists hijack religion edited by - Aug 15 2023

web jul 3 2017 in recent years the question of populism has featured prominently in the media and academia there is a large literature on virtually every topic related to populism except for its relationship with religion this collection of essays seeks to fill the lacuna

saving the people how populists hijack religion google books - Dec 07 2022

web c hurst company publishers limited 2016 christianity and politics 295 pages 0 reviews reviews aren t verified but google checks for and removes fake content when it s identified

saving the people how populists hijack religion abebooks - Jan 28 2022

web saving the people how populists hijack religion 4 avg rating 4 ratings by goodreads softcover isbn 10 0190639016 isbn 13 9780190639013 publisher oxford university press usa 2016 view all copies of this isbn edition synopsis about this title

saving the people how populists hijack religion - Jul 02 2022

web nov 17 2016 saving the people demonstrates how the recent populist conversion to religion is nothing of the kind but rather a cynical appropriation of christian identity for narrowly political and usually morally ugly purposes saving the people how populists hijack religion is edited by nadia marzouki duncan mcdonnell and olivier roy and

saving the people how populists hijack religion amazon com - Aug 03 2022

web nov 1 2016 the authors contend that religion is more about belonging than belief for populists with religious identities and traditions being deployed to define who can and cannot be part of the people this in turn helps many populists to claim that native christian communities are being threatened by a creeping and highly aggressive process

saving the people hurst publishers - Apr 11 2023

web with chapters on the united states britain france italy austria the netherlands poland and israel saving the people asks how populist movements have used religion for their own ends and how church leaders react to them

full article religion and the rise of populism taylor francis - Mar 10 2023

web aug 15 2018 in saving the people how populists hijack religion citation 2016 nadia marzouki duncan mcdonnell and

oliver roy offer a balanced look at the intersection of populist movements and democratic politics in country case studies which include the us and israel alongside eight european nations

book review saving the people how populists hijack religion - Sep 04 2022

web apr 9 2019 book review saving the people how populists hijack religion josé pedro zúquete party politics 2019 25 4 640 641 download citation book review saving the people how populists hijack religion show all authors josé pedro zúquete josé pedro zúquete university of lisbon portugal

[saving the people how populists hijack religion european](#) - Nov 06 2022

web western democracies are experiencing a new wave of right wing populism that seeks to mobilise religion for its own ends with chapters on the united states britain france italy austria the netherlands poland and israel saving the people asks how populist movements have used religion for their own ends and how church leaders react to them

saving the people how populists hijack religion - Jun 13 2023

web jan 1 2016 with chapters on the united states britain france italy austria the netherlands poland and israel saving the people asks how populist movements have used religion for their own ends and how church leaders react to them

saving the people paperback oxford university press - May 12 2023

web nov 1 2016 how populists hijack religion edited by nadia marzouki duncan mcdonnell and olivier roy critical look at the new wave of right wing populist movements that are using religion to mobilize people draws on international case studies including the usa uk france italy austria the netherlands poland and israel

saving the people how populists hijack religion hardcover - Feb 26 2022

web with chapters on the united states britain france italy austria the netherlands poland and israel saving the people asks how populist movements have used religion for their own ends and how church leaders react to them

book review saving the people how populists hijack religion - Mar 30 2022

web book review saving the people how populists hijack religion josé pedro zúquete party politics see full pdf download pdf religions oliver hidalgo this paper refers to the ambivalence of secularization in order to explain why cultural christianity can show both a liberal and illiberal character

saving the people how populists hijack religion request pdf - Jul 14 2023

web sep 1 2016 western democracies are experiencing a new wave of right wing populism that seeks to mobilise religion for its own ends with chapters on the united states britain france italy austria the

saving the people how populists hijack religion european - Oct 05 2022

web with chapters on the united states britain france italy austria the netherlands poland and israel saving the people asks how populist movements have used religion for their own ends and how church leaders react to them

saving the people how populists hijack religion hardcover - Dec 27 2021

web the authors contend that religion is more about belonging than belief for populists with religious identities and traditions being deployed to define who can and cannot be part of the people this in turn helps many populists to claim that native christian communities are being threatened by a creeping and highly aggressive process of