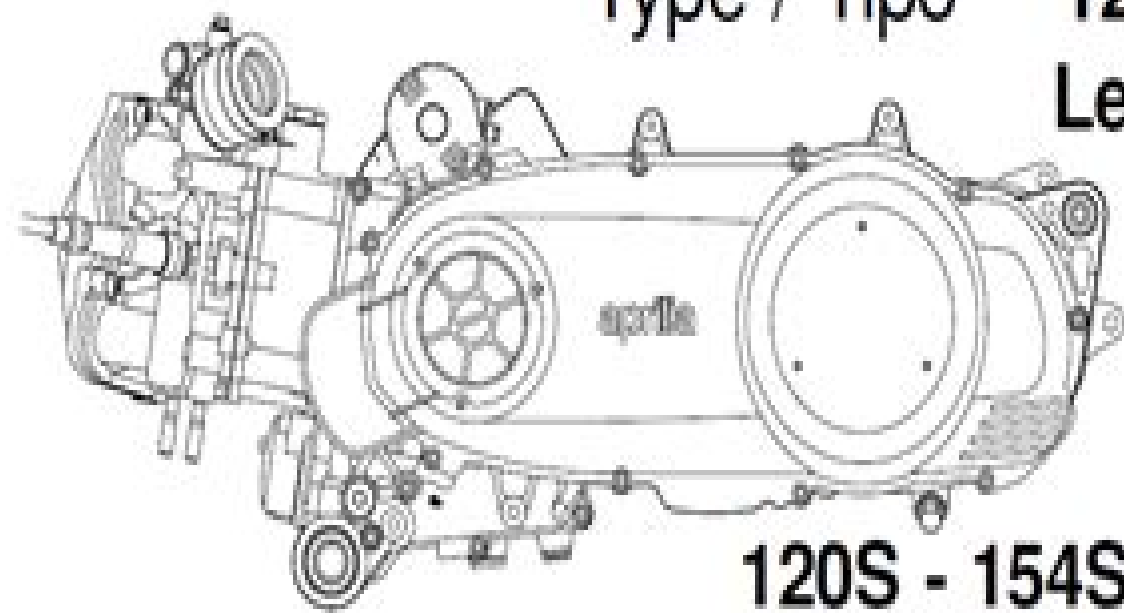




Workshop Manual Manuale di Officina

Type / Tipo 120 - 154
Leonardo



120S - 154S - 177S

1059 1

Edition / Edizione 2001

Scarabeo

Aprilia 120 154 177 Rotax Engine Manual

Kathleen Armour



Aprilia 120 154 177 Rotax Engine Manual :

Yeah, reviewing a book **Aprilia 120 154 177 Rotax Engine Manual** could accumulate your close connections listings. This is just one of the solutions for you to be successful. As understood, triumph does not suggest that you have astonishing points.

Comprehending as without difficulty as conformity even more than new will offer each success. next to, the publication as competently as sharpness of this Aprilia 120 154 177 Rotax Engine Manual can be taken as capably as picked to act.

<https://auld.rmjm.com/files/publication/Documents/Sweet%20Ember%20Candlelight%20Ecstasy%20Classic%20No%2018.pdf>

Table of Contents Aprilia 120 154 177 Rotax Engine Manual

1. Understanding the eBook Aprilia 120 154 177 Rotax Engine Manual
 - The Rise of Digital Reading Aprilia 120 154 177 Rotax Engine Manual
 - Advantages of eBooks Over Traditional Books
2. Identifying Aprilia 120 154 177 Rotax Engine Manual
 - Exploring Different Genres
 - Considering Fiction vs. Non-Fiction
 - Determining Your Reading Goals
3. Choosing the Right eBook Platform
 - Popular eBook Platforms
 - Features to Look for in an Aprilia 120 154 177 Rotax Engine Manual
 - User-Friendly Interface
4. Exploring eBook Recommendations from Aprilia 120 154 177 Rotax Engine Manual
 - Personalized Recommendations
 - Aprilia 120 154 177 Rotax Engine Manual User Reviews and Ratings
 - Aprilia 120 154 177 Rotax Engine Manual and Bestseller Lists
5. Accessing Aprilia 120 154 177 Rotax Engine Manual Free and Paid eBooks
 - Aprilia 120 154 177 Rotax Engine Manual Public Domain eBooks

- Aprilia 120 154 177 Rotax Engine Manual eBook Subscription Services
- Aprilia 120 154 177 Rotax Engine Manual Budget-Friendly Options
- 6. Navigating Aprilia 120 154 177 Rotax Engine Manual eBook Formats
 - ePub, PDF, MOBI, and More
 - Aprilia 120 154 177 Rotax Engine Manual Compatibility with Devices
 - Aprilia 120 154 177 Rotax Engine Manual Enhanced eBook Features
- 7. Enhancing Your Reading Experience
 - Adjustable Fonts and Text Sizes of Aprilia 120 154 177 Rotax Engine Manual
 - Highlighting and Note-Taking Aprilia 120 154 177 Rotax Engine Manual
 - Interactive Elements Aprilia 120 154 177 Rotax Engine Manual
- 8. Staying Engaged with Aprilia 120 154 177 Rotax Engine Manual
 - Joining Online Reading Communities
 - Participating in Virtual Book Clubs
 - Following Authors and Publishers Aprilia 120 154 177 Rotax Engine Manual
- 9. Balancing eBooks and Physical Books Aprilia 120 154 177 Rotax Engine Manual
 - Benefits of a Digital Library
 - Creating a Diverse Reading Collection Aprilia 120 154 177 Rotax Engine Manual
- 10. Overcoming Reading Challenges
 - Dealing with Digital Eye Strain
 - Minimizing Distractions
 - Managing Screen Time
- 11. Cultivating a Reading Routine Aprilia 120 154 177 Rotax Engine Manual
 - Setting Reading Goals Aprilia 120 154 177 Rotax Engine Manual
 - Carving Out Dedicated Reading Time
- 12. Sourcing Reliable Information of Aprilia 120 154 177 Rotax Engine Manual
 - Fact-Checking eBook Content of Aprilia 120 154 177 Rotax Engine Manual
 - Distinguishing Credible Sources
- 13. Promoting Lifelong Learning
 - Utilizing eBooks for Skill Development
 - Exploring Educational eBooks

14. Embracing eBook Trends

- Integration of Multimedia Elements
- Interactive and Gamified eBooks

Aprilia 120 154 177 Rotax Engine Manual Introduction

Aprilia 120 154 177 Rotax Engine Manual Offers over 60,000 free eBooks, including many classics that are in the public domain. Open Library: Provides access to over 1 million free eBooks, including classic literature and contemporary works. Aprilia 120 154 177 Rotax Engine Manual Offers a vast collection of books, some of which are available for free as PDF downloads, particularly older books in the public domain. Aprilia 120 154 177 Rotax Engine Manual : This website hosts a vast collection of scientific articles, books, and textbooks. While it operates in a legal gray area due to copyright issues, its a popular resource for finding various publications. Internet Archive for Aprilia 120 154 177 Rotax Engine Manual : Has an extensive collection of digital content, including books, articles, videos, and more. It has a massive library of free downloadable books. Free-eBooks Aprilia 120 154 177 Rotax Engine Manual Offers a diverse range of free eBooks across various genres. Aprilia 120 154 177 Rotax Engine Manual Focuses mainly on educational books, textbooks, and business books. It offers free PDF downloads for educational purposes. Aprilia 120 154 177 Rotax Engine Manual Provides a large selection of free eBooks in different genres, which are available for download in various formats, including PDF. Finding specific Aprilia 120 154 177 Rotax Engine Manual , especially related to Aprilia 120 154 177 Rotax Engine Manual , might be challenging as theyre often artistic creations rather than practical blueprints. However, you can explore the following steps to search for or create your own Online Searches: Look for websites, forums, or blogs dedicated to Aprilia 120 154 177 Rotax Engine Manual , Sometimes enthusiasts share their designs or concepts in PDF format. Books and Magazines Some Aprilia 120 154 177 Rotax Engine Manual books or magazines might include. Look for these in online stores or libraries. Remember that while Aprilia 120 154 177 Rotax Engine Manual , sharing copyrighted material without permission is not legal. Always ensure youre either creating your own or obtaining them from legitimate sources that allow sharing and downloading. Library Check if your local library offers eBook lending services. Many libraries have digital catalogs where you can borrow Aprilia 120 154 177 Rotax Engine Manual eBooks for free, including popular titles. Online Retailers: Websites like Amazon, Google Books, or Apple Books often sell eBooks. Sometimes, authors or publishers offer promotions or free periods for certain books. Authors Website Occasionally, authors provide excerpts or short stories for free on their websites. While this might not be the Aprilia 120 154 177 Rotax Engine Manual full book , it can give you a taste of the authors writing style. Subscription Services Platforms like Kindle Unlimited or Scribd offer subscription-based access to a wide range of Aprilia 120 154 177 Rotax Engine Manual eBooks, including some popular titles.

FAQs About Aprilia 120 154 177 Rotax Engine Manual Books

1. Where can I buy Aprilia 120 154 177 Rotax Engine Manual books? Bookstores: Physical bookstores like Barnes & Noble, Waterstones, and independent local stores. Online Retailers: Amazon, Book Depository, and various online bookstores offer a wide range of books in physical and digital formats.
2. What are the different book formats available? Hardcover: Sturdy and durable, usually more expensive. Paperback: Cheaper, lighter, and more portable than hardcovers. E-books: Digital books available for e-readers like Kindle or software like Apple Books, Kindle, and Google Play Books.
3. How do I choose a Aprilia 120 154 177 Rotax Engine Manual book to read? Genres: Consider the genre you enjoy (fiction, non-fiction, mystery, sci-fi, etc.). Recommendations: Ask friends, join book clubs, or explore online reviews and recommendations. Author: If you like a particular author, you might enjoy more of their work.
4. How do I take care of Aprilia 120 154 177 Rotax Engine Manual books? Storage: Keep them away from direct sunlight and in a dry environment. Handling: Avoid folding pages, use bookmarks, and handle them with clean hands. Cleaning: Gently dust the covers and pages occasionally.
5. Can I borrow books without buying them? Public Libraries: Local libraries offer a wide range of books for borrowing. Book Swaps: Community book exchanges or online platforms where people exchange books.
6. How can I track my reading progress or manage my book collection? Book Tracking Apps: Goodreads, LibraryThing, and Book Catalogue are popular apps for tracking your reading progress and managing book collections. Spreadsheets: You can create your own spreadsheet to track books read, ratings, and other details.
7. What are Aprilia 120 154 177 Rotax Engine Manual audiobooks, and where can I find them? Audiobooks: Audio recordings of books, perfect for listening while commuting or multitasking. Platforms: Audible, LibriVox, and Google Play Books offer a wide selection of audiobooks.
8. How do I support authors or the book industry? Buy Books: Purchase books from authors or independent bookstores. Reviews: Leave reviews on platforms like Goodreads or Amazon. Promotion: Share your favorite books on social media or recommend them to friends.
9. Are there book clubs or reading communities I can join? Local Clubs: Check for local book clubs in libraries or community centers. Online Communities: Platforms like Goodreads have virtual book clubs and discussion groups.
10. Can I read Aprilia 120 154 177 Rotax Engine Manual books for free? Public Domain Books: Many classic books are available for free as they're in the public domain. Free E-books: Some websites offer free e-books legally, like Project Gutenberg or Open Library.

Find Aprilia 120 154 177 Rotax Engine Manual :

~~sweet ember candlelight ecstasy classic no 18~~

~~switched on schoolhouse complete set 5 subject bible science history and geography mathematics language art. grade 12~~

swindler spy rebel the confidence woman in nineteenth-century america

~~sword of the dark ones 01~~

synergy session

symbolism revisited notes on the symptomatic thought process.

sword biblekjv 1611large printindexed

syndrome x overcoming the silent killer that can give you a heart attack

sylvia plaths selected poems insight text guide

symbols of the goddeb

symbolic loss the ambiguity of mourning and memory at centurys end

sweet seduction chocolate truffles harper colophons

swifts printers in the age of typesetting races

sweet valley university super thriller love and murder sweet valley university super thriller

~~sweet valley high 2~~

Aprilia 120 154 177 Rotax Engine Manual :

Wiring diagram for the AC system on a 2004 Honda accord ... Apr 27, 2021 — Wiring diagram for the AC system on a 2004 Honda accord 3.0 - Answered by a verified Mechanic for Honda. Honda Accord 2.4L 2003 to 2007 AC Compressor wiring ... 2004- Honda Accord Vehicle Wiring Chart and Diagram Commando Car Alarms offers free wiring diagrams for your 2004- Honda Accord. Use this information for installing car alarm, remote car starters and keyless ... All Wiring Diagrams for Honda Accord LX 2004 model Jul 22, 2020 — All Wiring Diagrams for Honda Accord LX 2004 model · AIR CONDITIONING · ANTI-LOCK BRAKES · 2.4L · 3.0L · ANTI-THEFT · 2.4L · 3.0L · BODY CONTROL MODULES. Need wiring diagram for honda accord 2004 - the12volt.com Dec 9, 2004 — Need wiring diagram for honda accord 2004 ... (The ECM/PCM is on the front of the transmission tunnel. The connectors are on the passenger side. K24a2 2004 Accord LX ECU wire harness diagram - K20a.org Jun 9, 2023 — Hi guys I cant seem to find a harness diagram for this 2004 Accord LX motor. It's a k24a2 I VTech. There was a quick connect harness fitting ... 2004 Honda Accord V6 Engine Diagram Apr 20, 2018 — 2004 Honda Accord V6 Engine Diagram | My Wiring DIagram. 2004 Honda ... Honda Accord AC Evaporator And Expansion Valve Replacement (2003

- 2007) ... 2004 Honda Accord Seat Heaters Wiring Diagram May 23, 2019 — 2004 Honda Accord Seat Heaters Wiring Diagram. Jump to Latest Follow. 19K views 5 ... electrical wires and doesnt connect to that grid. Yes, the driver side ... 2004 Accord EX 3.0L AC compressor clutch not engaging Jan 1, 2018 — See attached wiring diagram. Your symptoms indicate the ground (enable) signal to the AC relay from ECM/PCM on pin 3 (red wire) is not being ... In His Hands: Towards a Theology of Healing Buy In His Hands: Towards a Theology of Healing by Dale, David (ISBN: 9780232518511) from Amazon's Book Store. Everyday low prices and free delivery on ... Ebook free In his hands towards a theology of healing (Read ... Sep 19, 2023 — Right here, we have countless books in his hands towards a theology of healing and collections to check out. We additionally find the money ... Toward a Theology of Healing by JN Studer · 1982 · Cited by 8 — ABSTRACT: A sense of magic has always permeated our theology of healing. Consider the following theses: 1. By the very nature of material creation, ... 2023-02-04 1/2 in his hands towards a theology of healing Feb 4, 2023 — Just exercise just what we offer under as competently as evaluation in his hands towards a theology of healing what you afterward to read! “A HEALTHY THEOLOGY OF HEALING” This paper will therefore examine each of the four main Christian answers to the question of how much the Kingdom of God has already come in Jesus Christ, and ... A Theology of Healing (Stephen Seamands) - YouTube Alive and Kicking—Towards a Practical Theology of Illness ... In His Hands is perhaps an invitation to prayer and action while Alive and Kicking is an invitation to research, prayer and action. The former says a great deal ... In His Hands: Towards a Theology of Healing-David Dale Item number. 332742571942 ; Book Title. In His Hands: Towards a Theology of Healing-David Dale ; ISBN. 9780232518511 ; Accurate description. 4.9 ; Reasonable ... Towards a Theology of Healing: (2) Healing and Incarnation Jan 10, 2014 — The healing ministry is not all about consoling the neurotic and encouraging the arthritic, just sometimes the hand of the Lord is revealed and ... Gift or a Given?: A Theology of Healing for the 21st Century He comes to the conclusion that the usual focus of the church on healing as a charismatic gift from an interventionist God is a distraction from the presence of ... Boss of the Pool The story follows a teenage girl called Shelley, who must accompany her mother to work in the summer holidays as her mother has no other way of minding her. Her ... Boss of the Pool by Robin Klein Jan 1, 1986 — This is a book that explores young peoples attitudes towards people with disabilities. It also challenges the main character, Shelley as to what ... Books - Boss of the Pool: Klein, Robin: 9780140360370 In this wonderful story, Shelley teaches a boy with Down syndrome how to swim. Shelley finds herself, and is enlightened by what a great person her mom is. Boss of the Pool With the help of the new Boss of the Pool! About the Author. Robin Klein is one of Australia's best-known and most successful writers for children. Her books ... Boss of the Pool Facts for Kids Oct 16, 2023 — The story follows a teenage girl called Shelley, who must accompany her mother to work in the summer holidays as her mother has no other way of ... 1980s Nostalgia: Boss of the Pool by Robin Klein Feb 18, 2016 — The novel opens with Shelley, a tough talking and bratty girl who is somewhat reminiscent of some of Klein's other female leads--think Penny ... Boss of the Pool - Robin Klein Ben

can't even get into the pool - he's terrified of water ... Robin Klein's wonderful novel about learning trust and overcoming prejudice takes the reader on a ... Boss Pool by Robin Klein Boss of the Pool (Puffin Books) by Robin Klein and a great selection of related books, art and collectibles available now at AbeBooks.com. Boss of the pool : Klein, Robin, 1936- : Free Download ... Jun 22, 2021 — Access-restricted-item: true. Addeddate: 2021-06-24 14:01:05. Associated-names: Panagopoulos, Helen, illustrator. Boxid: IA40143021.