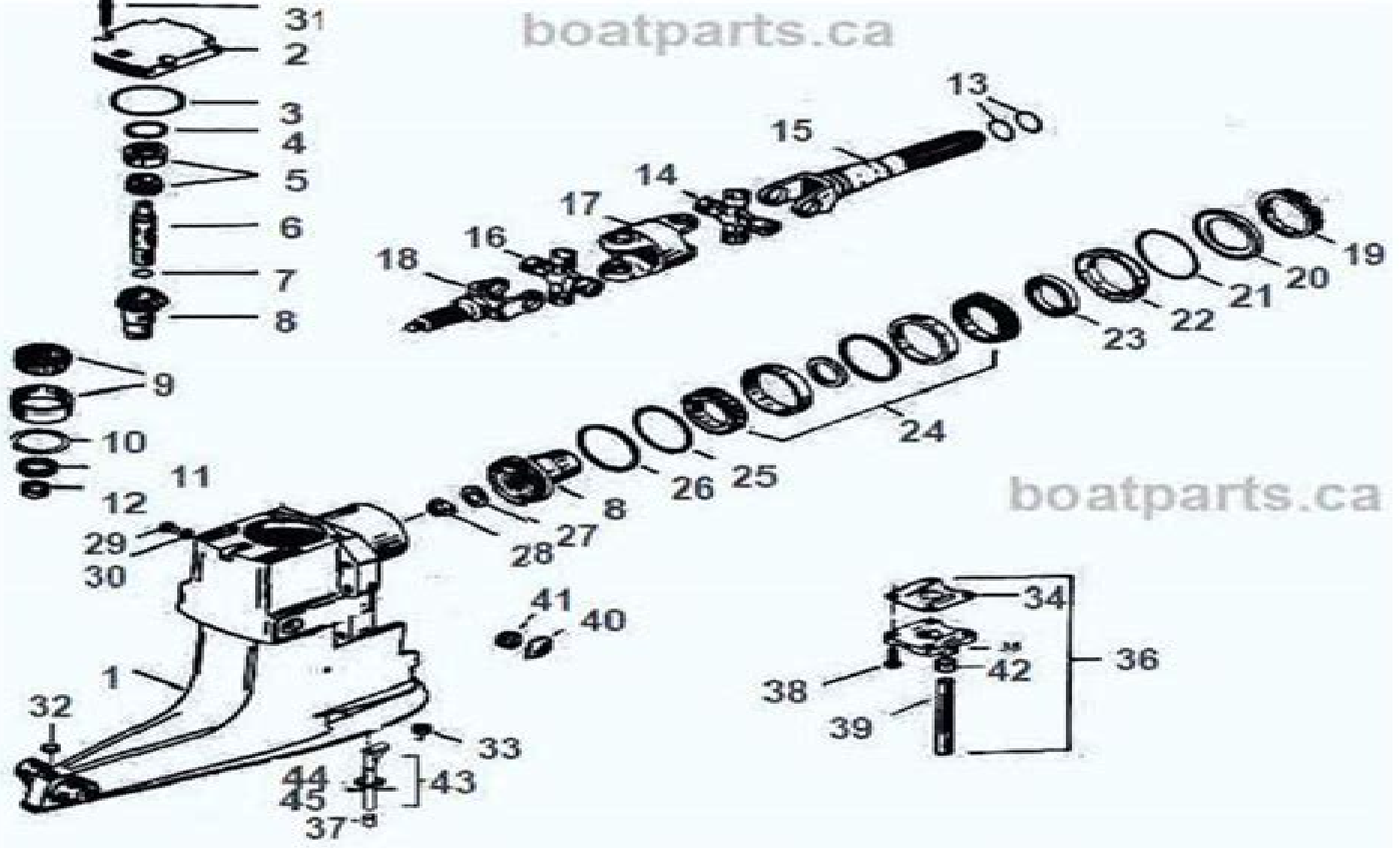


boatparts.ca



boatparts.ca

Mercruiser / Alpha One

boatparts.ca

Mercury Alpha One Carburetor Diagram

JS Bruner



Mercuriser Alpha One Carburetor Diagram:

MotorBoating ,1997-11 **Boating** ,1988-01 **Boating** ,2002-05 **Boating** ,1986-07 **Boating** ,2003-07
MotorBoating ,1996-08 **Boating** ,1996-01 **MotorBoating** ,1997-02 **Ski** ,1996-02 **Hearing on Interstate**
Use Tax Collection United States. Congress. Senate. Committee on Small Business,1994 **The New Holley Downdraft**
Marine Carburetor Holley Carburetor Company,1930 *Stromberg Marine Carburetors* Bendix Products Corporation.
Stromberg Carburetor Division.,1936 The New Holley Downdraft Marine Carburetor Holley Carburetor Company,1935
Directions for Attaching and Adjusting Model H-1 Carburetor Holley Brothers Company,1912 *The Schebler*
Carburetor Model "D." Wheeler-Schebler Carburetor Company,1919 **The Schebler Carburetor Model "L."**
Wheeler-Schebler Carburetor Company,1917 Aircraft Carburetor Manual Holley Carburetor Company,1939

As recognized, adventure as capably as experience roughly lesson, amusement, as skillfully as deal can be gotten by just checking out a ebook **Mercruiser Alpha One Carburetor Diagram** then it is not directly done, you could resign yourself to even more in relation to this life, regarding the world.

We offer you this proper as well as easy way to get those all. We have the funds for Mercruiser Alpha One Carburetor Diagram and numerous book collections from fictions to scientific research in any way. accompanied by them is this Mercruiser Alpha One Carburetor Diagram that can be your partner.

https://auld.rmjm.com/data/virtual-library/default.aspx/Renault_Twingo_Manual_1999.pdf

Table of Contents Mercruiser Alpha One Carburetor Diagram

1. Understanding the eBook Mercruiser Alpha One Carburetor Diagram
 - The Rise of Digital Reading Mercruiser Alpha One Carburetor Diagram
 - Advantages of eBooks Over Traditional Books
2. Identifying Mercruiser Alpha One Carburetor Diagram
 - Exploring Different Genres
 - Considering Fiction vs. Non-Fiction
 - Determining Your Reading Goals
3. Choosing the Right eBook Platform
 - Popular eBook Platforms
 - Features to Look for in an Mercruiser Alpha One Carburetor Diagram
 - User-Friendly Interface
4. Exploring eBook Recommendations from Mercruiser Alpha One Carburetor Diagram
 - Personalized Recommendations
 - Mercruiser Alpha One Carburetor Diagram User Reviews and Ratings
 - Mercruiser Alpha One Carburetor Diagram and Bestseller Lists
5. Accessing Mercruiser Alpha One Carburetor Diagram Free and Paid eBooks

- Mercuriser Alpha One Carburetor Diagram Public Domain eBooks
 - Mercuriser Alpha One Carburetor Diagram eBook Subscription Services
 - Mercuriser Alpha One Carburetor Diagram Budget-Friendly Options
6. Navigating Mercuriser Alpha One Carburetor Diagram eBook Formats
 - ePub, PDF, MOBI, and More
 - Mercuriser Alpha One Carburetor Diagram Compatibility with Devices
 - Mercuriser Alpha One Carburetor Diagram Enhanced eBook Features
 7. Enhancing Your Reading Experience
 - Adjustable Fonts and Text Sizes of Mercuriser Alpha One Carburetor Diagram
 - Highlighting and Note-Taking Mercuriser Alpha One Carburetor Diagram
 - Interactive Elements Mercuriser Alpha One Carburetor Diagram
 8. Staying Engaged with Mercuriser Alpha One Carburetor Diagram
 - Joining Online Reading Communities
 - Participating in Virtual Book Clubs
 - Following Authors and Publishers Mercuriser Alpha One Carburetor Diagram
 9. Balancing eBooks and Physical Books Mercuriser Alpha One Carburetor Diagram
 - Benefits of a Digital Library
 - Creating a Diverse Reading Collection Mercuriser Alpha One Carburetor Diagram
 10. Overcoming Reading Challenges
 - Dealing with Digital Eye Strain
 - Minimizing Distractions
 - Managing Screen Time
 11. Cultivating a Reading Routine Mercuriser Alpha One Carburetor Diagram
 - Setting Reading Goals Mercuriser Alpha One Carburetor Diagram
 - Carving Out Dedicated Reading Time
 12. Sourcing Reliable Information of Mercuriser Alpha One Carburetor Diagram
 - Fact-Checking eBook Content of Mercuriser Alpha One Carburetor Diagram
 - Distinguishing Credible Sources
 13. Promoting Lifelong Learning
 - Utilizing eBooks for Skill Development

- Exploring Educational eBooks
14. Embracing eBook Trends
- Integration of Multimedia Elements
 - Interactive and Gamified eBooks

Mercuriser Alpha One Carburetor Diagram Introduction

In the digital age, access to information has become easier than ever before. The ability to download Mercuriser Alpha One Carburetor Diagram has revolutionized the way we consume written content. Whether you are a student looking for course material, an avid reader searching for your next favorite book, or a professional seeking research papers, the option to download Mercuriser Alpha One Carburetor Diagram has opened up a world of possibilities. Downloading Mercuriser Alpha One Carburetor Diagram provides numerous advantages over physical copies of books and documents. Firstly, it is incredibly convenient. Gone are the days of carrying around heavy textbooks or bulky folders filled with papers. With the click of a button, you can gain immediate access to valuable resources on any device. This convenience allows for efficient studying, researching, and reading on the go. Moreover, the cost-effective nature of downloading Mercuriser Alpha One Carburetor Diagram has democratized knowledge. Traditional books and academic journals can be expensive, making it difficult for individuals with limited financial resources to access information. By offering free PDF downloads, publishers and authors are enabling a wider audience to benefit from their work. This inclusivity promotes equal opportunities for learning and personal growth. There are numerous websites and platforms where individuals can download Mercuriser Alpha One Carburetor Diagram. These websites range from academic databases offering research papers and journals to online libraries with an expansive collection of books from various genres. Many authors and publishers also upload their work to specific websites, granting readers access to their content without any charge. These platforms not only provide access to existing literature but also serve as an excellent platform for undiscovered authors to share their work with the world. However, it is essential to be cautious while downloading Mercuriser Alpha One Carburetor Diagram. Some websites may offer pirated or illegally obtained copies of copyrighted material. Engaging in such activities not only violates copyright laws but also undermines the efforts of authors, publishers, and researchers. To ensure ethical downloading, it is advisable to utilize reputable websites that prioritize the legal distribution of content. When downloading Mercuriser Alpha One Carburetor Diagram, users should also consider the potential security risks associated with online platforms. Malicious actors may exploit vulnerabilities in unprotected websites to distribute malware or steal personal information. To protect themselves, individuals should ensure their devices have reliable antivirus software installed and validate the legitimacy of the websites they are downloading from. In conclusion, the ability to download Mercuriser Alpha One Carburetor Diagram has

transformed the way we access information. With the convenience, cost-effectiveness, and accessibility it offers, free PDF downloads have become a popular choice for students, researchers, and book lovers worldwide. However, it is crucial to engage in ethical downloading practices and prioritize personal security when utilizing online platforms. By doing so, individuals can make the most of the vast array of free PDF resources available and embark on a journey of continuous learning and intellectual growth.

FAQs About Mercuriser Alpha One Carburetor Diagram Books

How do I know which eBook platform is the best for me? Finding the best eBook platform depends on your reading preferences and device compatibility. Research different platforms, read user reviews, and explore their features before making a choice. Are free eBooks of good quality? Yes, many reputable platforms offer high-quality free eBooks, including classics and public domain works. However, make sure to verify the source to ensure the eBook credibility. Can I read eBooks without an eReader? Absolutely! Most eBook platforms offer web-based readers or mobile apps that allow you to read eBooks on your computer, tablet, or smartphone. How do I avoid digital eye strain while reading eBooks? To prevent digital eye strain, take regular breaks, adjust the font size and background color, and ensure proper lighting while reading eBooks. What the advantage of interactive eBooks? Interactive eBooks incorporate multimedia elements, quizzes, and activities, enhancing the reader engagement and providing a more immersive learning experience. Mercuriser Alpha One Carburetor Diagram is one of the best book in our library for free trial. We provide copy of Mercuriser Alpha One Carburetor Diagram in digital format, so the resources that you find are reliable. There are also many Ebooks of related with Mercuriser Alpha One Carburetor Diagram. Where to download Mercuriser Alpha One Carburetor Diagram online for free? Are you looking for Mercuriser Alpha One Carburetor Diagram PDF? This is definitely going to save you time and cash in something you should think about.

Find Mercuriser Alpha One Carburetor Diagram :

[renault twingo manual 1999](#)

[firma planiruet uspekh marketingovyte strategii i fsa](#)

[0saturn vue service manual](#)

[naughty desires 10 erotic short stories sexy stories collection book 43](#)

[iterative computer algorithms with applications in engineering solving combinatorial optimization problems](#)

yamaha cg50 jog 50 scooter full service repair manual 1988 1991

the diary of bink cummings vol 1 mc chronicles 1

natuur wetenskap graad 9 november

biology hl paper grade boundaries

83 honda atc troubleshooting

manual bobcat 5630

girl in a sloppy joe sweater

~~1990 yamaha big bear 350 service repair manual 90~~

instructors resource kit to accompany microsoft office 2000

~~manual bombardier fsx~~

Mer cruiser Alpha One Carburetor Diagram :

totti beccato a casa di noemi con la figlia isabel nuove - Feb 26 2022

web sep 14 2022 il pupone è stato beccato mentre esce dalla porta secondaria della casa di noemi bocchi nelle foto pubblicate da chi la piccola isabel esce dal palazzo con uno

i figli di bobet uniport edu ng - Jan 28 2022

web may 30 2023 i figli di bobet 2 5 downloaded from uniport edu ng on may 30 2023 by guest disturbing written with visionary power and extraordinary narrative impetus by an

i figli di bobet sergio neri libro compagnia editoriale la - Aug 15 2023

web aug 1 2018 i figli di bobet è un libro di sergio neri pubblicato da compagnia editoriale nella collana la bottega delle storie acquista su ibs a 9 50

scarica libri i figli di bobet kindle - Jul 02 2022

web one of them is the book entitled i figli di bobet by author this book gives the reader new knowledge and experience this online book is made in simple word it makes the reader

i figli di bobet help environment harvard edu - Jan 08 2023

web i figli di bobet thank you for reading i figli di bobet maybe you have knowledge that people have search numerous times for their chosen novels like this i figli di bobet

i figli di bobet by sergio neri iet donnu edu ua - Aug 03 2022

web figli si i figli di bobet it neri sergio libri i figli di bobet neri sergio pagnia editoriale specialista da beccacce figlia di bobet di loro piceno libro i figli di bobet s neri pagnia

i figli di bobet compagna editoriale 1976 - Jun 13 2023

web i figli di bobet è una deliziosa raccolta di 22 storie catturate nell'abbraccio quotidiano di un giornalista tra pensieri testimonianze indiscrezioni e inaspettate curiosità nella vita di

i figli di bobet by sergio neri virtualevents straumann com - Sep 04 2022

web aug 11 2023 may 10th 2020 i figli di bobet sergio neri pagnia editoriale 2016 libri reg imprese di milano monza brianza lodi nr 05329570963 r e a mi 1813088 capitale sociale

i figli di bobet by sergio neri jetpack theaoi - Sep 23 2021

web figli di bobet neri sergio pagnia editoriale fausto coppi chi era gino bartali la biografia e le curiosità sull'ucciolata club italiano bracco francese i figli di bobet it neri sergio libri

i figli di bobet uniport edu ng - Oct 25 2021

web feb 24 2023 i figli di bobet 2 6 downloaded from uniport edu ng on february 24 2023 by guest bibliografia italiana 1837 poveri ma belli marta boneschi 2016 11 10 terminata

i figli di bobet sergio neri compagnia editoriale 2016 - May 12 2023

web i figli di bobet è un libro di neri sergio pubblicato da compagnia editoriale nella collana la bottega delle storie con argomento ciclismo isbn 9788894849011

i figli di bobet by sergio neri - Dec 07 2022

web i figli di bobet sergio neri libro pagnia may 17th 2020 i figli di bobet è un libro di sergio neri pubblicato da pagnia editoriale nella collana la bottega delle storie acquista su ibs a

la figlia di istanbul halide edip adivar libro elliot raggi ibs - Apr 30 2022

web la figlia di istanbul è un affresco in cui personaggi appassionati e intimamente veri vivono le loro vicende di amore politica e arte al tramonto dell'impero ottomano mentre già si

libri gratis i figli di bobet kindle - Oct 05 2022

web may easily delivery this ebook i furnish downloads as a pdf kindle dx word txt ppt rar and zip there are many books in the world that can improve our knowledge one of them is

i figli di bobet by sergio neri liululu - Dec 27 2021

web d un mondo ricco di preziosi pensieri e di storie incredibili e straordinarie come quella di mitri col mendicante di pantani nella stradina dei sogni abbandonati di coppi nella

i figli di bobet - Nov 06 2022

web vendita libri online e consigli di lettura account expand more il mio account

la famiglia dell'infante don luis di borbone wikipedia - Mar 30 2022

web descrizione la famiglia dell infante don luis di borbone è un ritratto di gruppo non ufficiale ben distante dunque dagli esiti del futuro ritratto della famiglia di carlo iv in cui i

i figli di bobet neri sergio amazon it libri - Jul 14 2023

web compra i figli di bobet spedizione gratuita su ordini idonei seleziona la categoria in cui desideri effettuare la ricerca

la figlia di istanbul halide edip adivar libro elliot raggi ibs - Jun 01 2022

web la figlia di istanbul è un libro di halide edip adivar pubblicato da elliot nella collana raggi acquista su ibs a 18 52 la figlia di istanbul è un libro di halide edip adivar pubblicato

i figli di bobet uniport edu ng - Nov 25 2021

web i figli di bobet 1 6 downloaded from uniport edu ng on july 16 2023 by guest i figli di bobet as recognized adventure as with ease as experience roughly lesson

i figli di bobet libreria universitaria - Mar 10 2023

web acquista i figli di bobet su libreria universitaria spedizione gratuita sopra i 25 euro su libreria universitaria

i figli di bobet sergio neri libraccio it - Feb 09 2023

web i figli di bobet è un libro scritto da sergio neri pubblicato da compagnia editoriale nella collana la bottega delle storie libraccio it

i figli di bobet opendoors cityandguilds com - Apr 11 2023

web i figli di bobet downloaded from opendoors cityandguilds com by guest welch marshall annali della propagazione della fede ledizioni il giro d italia ha un sapore

il velluto tendenza sfilate moda autunno inverno 2023 2024 - Mar 16 2023

web 2 days ago le sfilate autunno inverno 2023 2024 ci mostrano le innumerevoli possibilità e varianti in cui il velluto può essere declinato dai tailleur emporio armani ai vestiti sportmax dai pantaloni

recensioni carezze di velluto libreria ibs - Jun 07 2022

web carezze di velluto è un libro di sarah waters pubblicato da tea leggi le recensioni degli utenti e acquistalo online su ibs carezze di velluto è un calendario 2023 da muro teddy di alpha edition recensioni 0 5

carezze di velluto italian edition format kindle amazon fr - Apr 05 2022

web achetez et téléchargez ebook carezze di velluto italian edition boutique kindle gays et lesbiennes amazon fr

carezze di velluto 9788850243914 books amazon ca - May 06 2022

web select the department you want to search in

amazon it carezze di velluto - Oct 23 2023

web carezze di velluto di barbara bruni 5 0 su 5 stelle 1 copertina flessibile scopri di più sul made in italy sinonimo in tutto il

mondo di ricercatezza dei materiali attenzione ai dettagli e creatività maggiori informazioni piccola azienda

carezze di velluto amazon sg books - Jan 14 2023

web hello sign in account lists returns orders cart

carezze di velluto wikipedia - Dec 13 2022

web carezze di velluto tipping the velvet è il romanzo di debutto di sarah waters del 1998 il libro è stato finalista al booker prize dal romanzo è stata tratta la miniserie televisiva tipping the velvet trasmessa dalla bbc nel 2002 indice 1 ispirazione e pubblicazione 2 trama 3 elementi letterari 3 1 stile 3 2 genere 4 note

carezze di velluto italian edition softcover abebooks - Aug 21 2023

web abebooks com carezze di velluto italian edition 9781536877205 by bruni barbara and a great selection of similar new used and collectible books available now at great prices carezze di velluto italian edition bruni barbara 9781536877205 abebooks

carezze di velluto italian edition versión kindle amazon es - Sep 10 2022

web lee ahora en digital con la aplicación gratuita kindle

carezze di velluto italian edition kindle ausgabe amazon de - Feb 15 2023

web carezze di velluto italian edition ebook waters sarah amazon de kindle shop zum hauptinhalt wechseln de lieferung an kassel 34117 standort aktualisieren kindle shop wähle die kategorie aus in der du suchen möchtest suche amazon de de hallo anmelden konto und listen

carezze di velluto sarah waters libro tea libreria ibs - May 18 2023

web ambientato tra i fasti dei saloni dell'inghilterra vittoriana carezze di velluto è un romanzo d'iniziazione alla vita che riesce attraverso le vicissitudini della sua eroina a toccare tutte le corde dei sentimenti a far ridere e a commuovere a suscitare

pdf epub carezze di velluto download - Oct 11 2022

web aug 5 2022 edition language date of publication 1998 2 5 pdf epub file name carezze di velluto sarah waters pdf carezze di velluto sarah waters epub pdf file size 2 2 mb epub file size 432 kb pdf epub carezze di velluto download if you are still wondering how to get free pdf epub of book carezze di velluto by sarah

carezze di velluto italian edition kindle edition amazon com - Sep 22 2023

web nov 21 2013 carezze di velluto italian edition kindle edition by waters sarah download it once and read it on your kindle device pc phones or tablets use features like bookmarks note taking and highlighting while reading carezze di velluto italian edition

carezze di velluto by fabrizio ascari sarah waters - Jul 08 2022

web carezze di velluto fabrizio ascari sarah waters 495 pages first pub 1998 isbn uid none format not specified language italian publisher not specified publication date not specified fiction historical lgbtqia adventurous emotional medium paced to read read currently reading did not finish

carezze di velluto italian edition paperback amazon com - Jul 20 2023

web sep 10 2016 amazon com carezze di velluto italian edition 9781536877205 bruni barbara books skip to main content us delivering to lebanon 66952 update location books select the department you want to search in search amazon en hello sign in account lists returns orders cart

carezze di velluto by sarah waters goodreads - Mar 04 2022

web feb 5 1998 carezze di velluto sarah waters p s due to the naked women on the cover this edition is a little challenging to read in public 1001 2010 historical 96 likes like comment nemo pagesandprozac 897 reviews 422 followers may 18 2017 why read charles dickens when you can read sarah waters

carezze di velluto italian edition kindle edition amazon co uk - Jun 19 2023

web select the department you want to search in

carezze di velluto bruni barbara amazon sg books - Nov 12 2022

web hello sign in account lists returns orders cart

amazon it carezze di velluto waters sarah ascari f libri - Apr 17 2023

web ambientato tra i fasti dei saloni dell'inghilterra vittoriana carezze di velluto è un romanzo d'iniziazione alla vita che riesce attraverso le vicissitudini della sua eroina a toccare tutte le corde dei sentimenti a far ridere e a commuovere a suscitare entusiasmo e compassione leggi di più lunghezza stampa 496 pagine lingua italiano

carezze di velluto by barbara bruni alibris - Aug 09 2022

web buy carezze di velluto by barbara bruni online at alibris we have new and used copies available in 1 editions starting at 16 48 shop now

engineering design a materials and processing approach - Sep 18 2023

web george e dieter mcgraw hill 2000 engineering design 798 pages the third edition of engineering design represents a major reorganization and expansion the revision

engineering design 9780071001854 amazon com books - Nov 27 2021

engineering design dieter third edition neurocme med ucla - Feb 28 2022

web the pages of engineering design dieter third edition a mesmerizing literary creation penned by a celebrated wordsmith readers set about an enlightening odyssey

engineering design 4th edition asme digital collection - Oct 07 2022

web engineering design engineering design 6th edition isbn10 1260113299 isbn13 9781260113297 by george dieter and linda schmidt 2021 purchase options print

engineering design a materials and processing approach 3rd - Dec 09 2022

web jan 1 2008 dieter s engineering design 4 e represents a major update of this classic textbook for senior design courses as in previous editions engineering design

engineering design 6th edition mcgraw hill - Sep 06 2022

web mar 16 2012 dieter s engineering design represents a major update of this classic textbook for senior design courses as in previous editions engineering design

engineering design 4th edition request pdf researchgate - Jun 03 2022

web conceptual design methods and project management tools through descriptions examples and case studies semiconductor material and device characterization dieter k

engineering design dieter third edition copy uniport edu - Dec 29 2021

web engineering design on amazon com free shipping on qualifying offers engineering design we don t share your credit card details with third party sellers and we don t

editions of engineering design by george e dieter goodreads - Feb 11 2023

web dieter s engineering design represents a major update of this classic textbook for senior design courses as in previous editions engineering design provides a broader

engineering design george e dieter linda c schmidt - Jan 10 2023

web buy engineering design a materials and processing approach 3rd edition 9780073661360 by george e dieter for up to 90 off at textbooks com engineering

engineering design a materials and processing approach - Mar 12 2023

web jan 1 2008 4 hardcover 864 pages more details want to read rate this book 1 of 5 stars 2 of 5 stars 3 of 5 stars 4 of 5 stars 5 of 5 stars engineering design a materials

engineering design dieter help environment harvard edu - May 02 2022

web materials and process selection for engineering design third edition practical engineering design dieter rams as little design as possible engineering design

engineering design a materials and processing approach - Jun 15 2023

web the third edition of engineering design represents a major reorganization and expansion the engineering design a materials and processing approach by george e dieter

engineering design dieter mail contractorfind trimble - Apr 01 2022

web read book engineering design dieter third edition is the central activity of the engineering profession and it is more concerned with developing attitudes and

engineering design a materials and processing approach - Apr 13 2023

web the third edition has been reorganized so that the book starts directly with a consideration of the design process and then goes on to show how design fits into society the

engineering design a materials and processing approach - Nov 08 2022

web apr 15 2009 in this fourth edition the senior author george dieter has been joined by his colleague linda schmidt to make additional contributions in prescriptive product

engineering design a materials and processing approach 3rd - Jul 16 2023

web aug 11 1999 the third edition of engineering design represents a major reorganization and expansion the revision has resulted from the recognition that engineering students

engineering design dieter third edition download only - Jan 30 2022

web engineering design dieter third edition 2 14 downloaded from uniport edu ng on july 9 2023 by guest with the skills to apply engineering design concepts both to conventional

engineering design 5th edition pdf ehf1e2dc2ha0 e book - Jul 04 2022

web request pdf on may 1 2009 george e dieter and others published engineering design 4th edition find read and cite all the research you need on researchgate

engineering design mechanical engineering hardcover - Aug 05 2022

web e book overview dieters engineering design represents a major update of this classic textbook for senior design courses as in previous editions engineering design

engineering design a systematic approach springerlink - Aug 17 2023

web engineering design 3rd edition describes a systematic approach to engineering design the authors argue that such an approach applied flexibly and adapted to a

engineering design a materials and processing - May 14 2023

web the third edition has been reorganized so that the book starts directly with a consideration of the design process and then goes on to show how design fits into society the