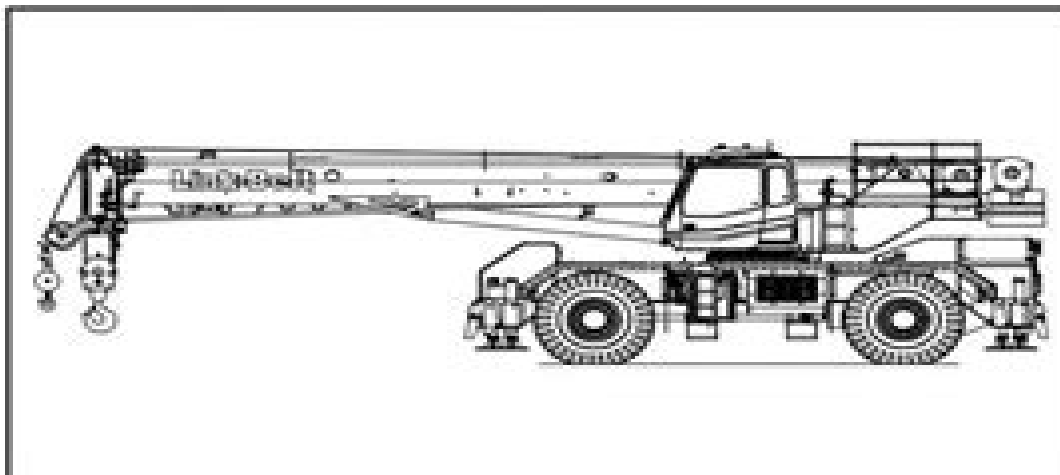


- Cover
- Section 1 Operating Instructions
- Section 2 Lubrication And Preventive Maintenance
- Section 3 Periodic Adjustments
- Section 4 Attachments
- Section 5 General Information
- Section 6 Fundamental Terms



Crane Serial Number

The crane serial number is written on the Crane Rating Manual located in the lower right interior of the operator's cab. The crane serial number should always be furnished when ordering parts for the crane, or when corresponding with the distributor or factory regarding the crane. The serial number is the only method the distributor or factory has of ensuring that the correct parts will be furnished.

In the event the serial number can not be found on the Crane Rating Manual, the number is stamped on top of the front outrigger box on the right side of the carrier and on the right side of the upper frame just below the boom hoist cylinder lug. This number can then be used to identify the crane.



WARNING: Breathing diesel engine exhaust exposes you to chemicals known to the State of California to cause cancer and birth defects or other reproductive harm.

- Always start and operate the engine in a well-ventilated area.
- If in an enclosed area, vent the exhaust to the outside.
- Do not modify or tamper with the exhaust system.
- Do not idle the engine except as necessary.

For more information go to www.PSDwarnings.ca.gov/diesel.



WARNING: Cancer and Reproductive Harm-
www.PSDwarnings.ca.gov/diesel.

Link Belt Rtc 8065 Operators Manual

AW Chickering



Link Belt Rtc 8065 Operators Manual:

Chemical Engineering Equipment Buyers' Guide ,1991
Division,

Crane Link-belt FMC Corporation. Crane and Excavator

Ignite the flame of optimism with its motivational masterpiece, **Link Belt Rtc 8065 Operators Manual** . In a downloadable PDF format (*), this ebook is a beacon of encouragement. Download now and let the words propel you towards a brighter, more motivated tomorrow.

https://auld.rmjm.com/results/scholarship/fetch.php/Biology_Higher_Level_Specimen_Paper_24.pdf

Table of Contents Link Belt Rtc 8065 Operators Manual

1. Understanding the eBook Link Belt Rtc 8065 Operators Manual
 - The Rise of Digital Reading Link Belt Rtc 8065 Operators Manual
 - Advantages of eBooks Over Traditional Books
2. Identifying Link Belt Rtc 8065 Operators Manual
 - Exploring Different Genres
 - Considering Fiction vs. Non-Fiction
 - Determining Your Reading Goals
3. Choosing the Right eBook Platform
 - Popular eBook Platforms
 - Features to Look for in an Link Belt Rtc 8065 Operators Manual
 - User-Friendly Interface
4. Exploring eBook Recommendations from Link Belt Rtc 8065 Operators Manual
 - Personalized Recommendations
 - Link Belt Rtc 8065 Operators Manual User Reviews and Ratings
 - Link Belt Rtc 8065 Operators Manual and Bestseller Lists
5. Accessing Link Belt Rtc 8065 Operators Manual Free and Paid eBooks
 - Link Belt Rtc 8065 Operators Manual Public Domain eBooks
 - Link Belt Rtc 8065 Operators Manual eBook Subscription Services
 - Link Belt Rtc 8065 Operators Manual Budget-Friendly Options
6. Navigating Link Belt Rtc 8065 Operators Manual eBook Formats

- ePub, PDF, MOBI, and More
 - Link Belt Rtc 8065 Operators Manual Compatibility with Devices
 - Link Belt Rtc 8065 Operators Manual Enhanced eBook Features
7. Enhancing Your Reading Experience
 - Adjustable Fonts and Text Sizes of Link Belt Rtc 8065 Operators Manual
 - Highlighting and Note-Taking Link Belt Rtc 8065 Operators Manual
 - Interactive Elements Link Belt Rtc 8065 Operators Manual
 8. Staying Engaged with Link Belt Rtc 8065 Operators Manual
 - Joining Online Reading Communities
 - Participating in Virtual Book Clubs
 - Following Authors and Publishers Link Belt Rtc 8065 Operators Manual
 9. Balancing eBooks and Physical Books Link Belt Rtc 8065 Operators Manual
 - Benefits of a Digital Library
 - Creating a Diverse Reading Collection Link Belt Rtc 8065 Operators Manual
 10. Overcoming Reading Challenges
 - Dealing with Digital Eye Strain
 - Minimizing Distractions
 - Managing Screen Time
 11. Cultivating a Reading Routine Link Belt Rtc 8065 Operators Manual
 - Setting Reading Goals Link Belt Rtc 8065 Operators Manual
 - Carving Out Dedicated Reading Time
 12. Sourcing Reliable Information of Link Belt Rtc 8065 Operators Manual
 - Fact-Checking eBook Content of Link Belt Rtc 8065 Operators Manual
 - Distinguishing Credible Sources
 13. Promoting Lifelong Learning
 - Utilizing eBooks for Skill Development
 - Exploring Educational eBooks
 14. Embracing eBook Trends
 - Integration of Multimedia Elements
 - Interactive and Gamified eBooks

Link Belt Rtc 8065 Operators Manual Introduction

In this digital age, the convenience of accessing information at our fingertips has become a necessity. Whether its research papers, eBooks, or user manuals, PDF files have become the preferred format for sharing and reading documents. However, the cost associated with purchasing PDF files can sometimes be a barrier for many individuals and organizations. Thankfully, there are numerous websites and platforms that allow users to download free PDF files legally. In this article, we will explore some of the best platforms to download free PDFs. One of the most popular platforms to download free PDF files is Project Gutenberg. This online library offers over 60,000 free eBooks that are in the public domain. From classic literature to historical documents, Project Gutenberg provides a wide range of PDF files that can be downloaded and enjoyed on various devices. The website is user-friendly and allows users to search for specific titles or browse through different categories. Another reliable platform for downloading Link Belt Rtc 8065 Operators Manual free PDF files is Open Library. With its vast collection of over 1 million eBooks, Open Library has something for every reader. The website offers a seamless experience by providing options to borrow or download PDF files. Users simply need to create a free account to access this treasure trove of knowledge. Open Library also allows users to contribute by uploading and sharing their own PDF files, making it a collaborative platform for book enthusiasts. For those interested in academic resources, there are websites dedicated to providing free PDFs of research papers and scientific articles. One such website is Academia.edu, which allows researchers and scholars to share their work with a global audience. Users can download PDF files of research papers, theses, and dissertations covering a wide range of subjects. Academia.edu also provides a platform for discussions and networking within the academic community. When it comes to downloading Link Belt Rtc 8065 Operators Manual free PDF files of magazines, brochures, and catalogs, Issuu is a popular choice. This digital publishing platform hosts a vast collection of publications from around the world. Users can search for specific titles or explore various categories and genres. Issuu offers a seamless reading experience with its user-friendly interface and allows users to download PDF files for offline reading. Apart from dedicated platforms, search engines also play a crucial role in finding free PDF files. Google, for instance, has an advanced search feature that allows users to filter results by file type. By specifying the file type as "PDF," users can find websites that offer free PDF downloads on a specific topic. While downloading Link Belt Rtc 8065 Operators Manual free PDF files is convenient, its important to note that copyright laws must be respected. Always ensure that the PDF files you download are legally available for free. Many authors and publishers voluntarily provide free PDF versions of their work, but its essential to be cautious and verify the authenticity of the source before downloading Link Belt Rtc 8065 Operators Manual. In conclusion, the internet offers numerous platforms and websites that allow users to download free PDF files legally. Whether its classic literature, research papers, or magazines, there is something for everyone. The platforms mentioned in this article, such as Project Gutenberg, Open Library, Academia.edu, and Issuu, provide access to a vast collection of PDF files. However, users

should always be cautious and verify the legality of the source before downloading Link Belt Rtc 8065 Operators Manual any PDF files. With these platforms, the world of PDF downloads is just a click away.

FAQs About Link Belt Rtc 8065 Operators Manual Books

What is a Link Belt Rtc 8065 Operators Manual PDF? A PDF (Portable Document Format) is a file format developed by Adobe that preserves the layout and formatting of a document, regardless of the software, hardware, or operating system used to view or print it. **How do I create a Link Belt Rtc 8065 Operators Manual PDF?** There are several ways to create a PDF: Use software like Adobe Acrobat, Microsoft Word, or Google Docs, which often have built-in PDF creation tools. Print to PDF: Many applications and operating systems have a "Print to PDF" option that allows you to save a document as a PDF file instead of printing it on paper. Online converters: There are various online tools that can convert different file types to PDF. **How do I edit a Link Belt Rtc 8065 Operators Manual PDF?** Editing a PDF can be done with software like Adobe Acrobat, which allows direct editing of text, images, and other elements within the PDF. Some free tools, like PDFescape or Smallpdf, also offer basic editing capabilities. **How do I convert a Link Belt Rtc 8065 Operators Manual PDF to another file format?** There are multiple ways to convert a PDF to another format: Use online converters like Smallpdf, Zamzar, or Adobe Acrobats export feature to convert PDFs to formats like Word, Excel, JPEG, etc. Software like Adobe Acrobat, Microsoft Word, or other PDF editors may have options to export or save PDFs in different formats. **How do I password-protect a Link Belt Rtc 8065 Operators Manual PDF?** Most PDF editing software allows you to add password protection. In Adobe Acrobat, for instance, you can go to "File" -> "Properties" -> "Security" to set a password to restrict access or editing capabilities. Are there any free alternatives to Adobe Acrobat for working with PDFs? Yes, there are many free alternatives for working with PDFs, such as: LibreOffice: Offers PDF editing features. PDFsam: Allows splitting, merging, and editing PDFs. Foxit Reader: Provides basic PDF viewing and editing capabilities. How do I compress a PDF file? You can use online tools like Smallpdf, ILovePDF, or desktop software like Adobe Acrobat to compress PDF files without significant quality loss. Compression reduces the file size, making it easier to share and download. Can I fill out forms in a PDF file? Yes, most PDF viewers/editors like Adobe Acrobat, Preview (on Mac), or various online tools allow you to fill out forms in PDF files by selecting text fields and entering information. Are there any restrictions when working with PDFs? Some PDFs might have restrictions set by their creator, such as password protection, editing restrictions, or print restrictions. Breaking these restrictions might require specific software or tools, which may or may not be legal depending on the circumstances and local laws.

Find Link Belt Rtc 8065 Operators Manual :

biology higher level specimen paper 24

2014 exemplar grade 12

~~the ruthless caleb wilde~~

firm the

ags us government unit test

manual bmw serie 7

essentle of public speaking

manuale di infortunistica stradale

ingenious yankees the rise of the american system of manufactures in the private sector

manual for berlingo 2004

2008 agriculture msce malawi

value of 2008 ford expedition

electronic federal resume guidebook by troutman

aprilia 1994 1998 rs250 motorcycle workshop repair service manual 10102 quality

topcon gts 702 manual

Link Belt Rtc 8065 Operators Manual :

Operator Manual This manual has been designed to provide you with specific information regarding the safe operation of the Wave work assist vehicle. As you will see in this ... Crown WAVE50 Work Assit Vehicle Service Repair Manual Dec 24, 2020 — Crown WAVE50 Work Assit Vehicle Service Repair Manual. Page 1. MAINTENANCE MANUAL. WAVE 50 SERIES Order Number: 812562-006 Revision: A &# ... Operator and Service Manuals Order Crown service and parts manuals and safety labels today! Crown wave50 work assit vehicle service repair manual May 25, 2021 — Crown wave50 work assit vehicle service repair manual - Download as a PDF or view online for free. CROWN WAVE OPERATOR'S MANUAL Pdf Download View and Download Crown Wave operator's manual online. Wave utility vehicle pdf manual download. Crown WAVE 50 Series Work Assist Vehicle Service ... Mar 16, 2020 — This is the COMPLETE Service Repair Manual for the Crown WAVE 50 Series Work Assist Vehicle. It contains deep information about maintaining, ... Crown Manual of Responsibility The Operator Manual stored on the vehicle platform, along with train- ing, provides the information required to safely and responsibly operate the Wave vehicle. Service Manual for Wave 50-118 Service Manual for Wave 50-118. Item #.:

CRPF11776-00M. Price/ea: \$121.50. Average Rating: Quantity: Service Manual for Wave 50-118 for Crown. Crown Wave 50 Work Assist Lift Truck Parts Catalog & ... Crown Wave 50 Work Assist Lift Truck Parts Catalog & Shop Service Repair Manual ; Item Number. 255876598614 ; Non-Domestic Product. No ; Accurate description. 4.8. Crown WAV50 Work Assit Vehicle Parts Catalogue Manual Dec 24, 2020 — INTRODUCTION Important customer information To ensure the safety of the truck, you, the customer, must only carry out maintenance and repairs as ... Anatomy and Physiology With Integrated Study Guide 5th ... Anatomy and Physiology With Integrated Study Guide 5th Edition Gunstream Solutions Manual ... (BEST) Chem 16 LE1 Samplex + Answers PDF. Chris Andrew Mendoza. Human Anatomy and Physiology The course human anatomy and physiology for nurses is designed to help student nurses learn and understand how the human body is organized and function. Essentials of Anatomy and Physiology Cited by 498 — Also new to this edition are illustration questions. Each figure legend is followed by a question for the student; the answers are in Appendix G. As always ... Examination Questions and Answers in Basic Anatomy and ... Two thousand multiple choice questions that could be asked of a student of introductory human anatomy and physiology are presented in 40 categories. Anatomy and Physiology with Integrated Study Guide Guided explanations and solutions for Gunstream's Anatomy and Physiology with Integrated Study Guide (6th Edition). Anatomy & Physiology - cloudfront.net ... integrated and analyzed by computers to produce three-dimensional images or ... study how the continued division of a single cell leads to such complexity ... Study Guide For Anatomy & Physiology 5th Edition ... Access Study Guide for Anatomy & Physiology 5th Edition Chapter 1 Problem 11SAQ solution now. Our solutions are written by Chegg experts so you can be ... Anatomy - Study Guides Aug 4, 2022 — Over 550 board-style questions with complete answers and explanations, chapter-ending exams, and an end-of-book comprehensive exam help you ... Human Anatomy & Physiology (5th Edition) Anatomy & Physiology Made Easy: An Illustrated Study Guide for Students To Easily Learn Anatomy · Best Seller. Anatomy & Physiology Made Easy: An Illustrated ... Gray's Anatomy for Students: 5th edition - Elsevier Health Mar 10, 2023 — Features an updated neuroanatomy eBook chapter, so you can learn key aspects of this challenging topic in the context of general anatomy. THE NUMBER LINE: AN AUXILIARY MEANS OR AN ... by C Skoumpourdi · Cited by 19 — Abstract. The aim of this paper is to investigate the ways in which the number line can function in solving mathematical tasks by first graders (6 year ... (PDF) The number line: an auxiliary means or an obstacle? ... The aim of this paper is to investigate the ways in which the number line can function in solving mathematical tasks by first graders (6 year olds). The Number Line: An Auxiliary Means or an Obstacle? - ERIC by C Skoumpourdi · 2010 · Cited by 19 — The main research question was whether the number line functioned as an auxiliary means or as an obstacle for these students. Through analysis ... The Number Line - subtraction, and measurement The number line is not just a school object. It is as much a mathematical idea as functions. Unlike the Number Line Hotel, hundreds charts, Cuisenaire rods, and ... What is a Number Line? | Definition and Examples A number line is useful because it acts as a visual math aid. It can support teachers and parents as they teach

children how to count and write numbers. It's ... Common Core State Standards for Mathematics figure and can use the strategy of drawing an auxiliary line for solving problems. ... Understand a fraction as a number on the number line; represent fractions ... how kindergartners use auxiliary means to solve problems Sep 3, 2010 — The aim of this paper is to investigate the role that auxiliary means (manipulatives such as cubes and representations such as number line) ... Number Line - Definition, Examples | Inequalities A number line is a visual representation of numbers on a straight line. This line is used to compare numbers that are placed at equal intervals on an infinite ... Massachusetts Mathematics Curriculum Framework — 2017 ... auxiliary line for solving problems. They also can step ... Understand a fraction as a number on the number line; represent fractions on a number line diagram. Michigan Math Standards figure and can use the strategy of drawing an auxiliary line for solving problems. ... A diagram of the number line used to represent numbers and support ...