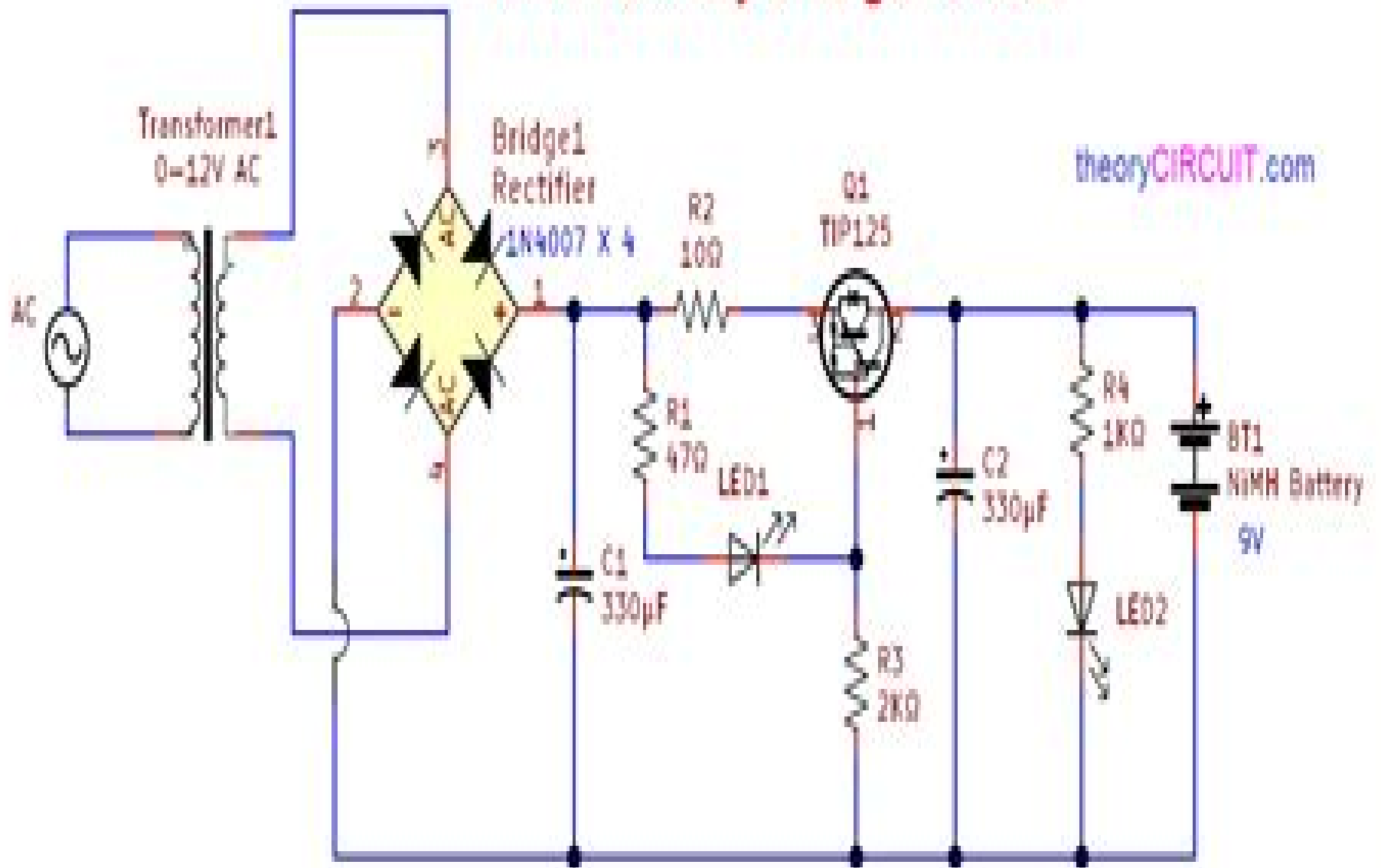


# NiMH battery charger circuit



# 9 Volt Battery Charger Schematic

**Venkataraman Lakshminarayanan**

A red circular graphic with a gradient, partially overlapping the right side of the author's name bar.

## 9 Volt Battery Charger Schematic:

**The Modern Power Supply and Battery Charger Circuit Encyclopedia** Rudolf F. Graf,1992 **Electronic Design**,2005 73 Amateur Radio Today ,1998 **Miniprocessors** David L. Heiserman,1977 *Voltage Regulator Circuit Manual* Robert J. Traister,1989-11-28 *Voltage Regulator Circuit Manual* highlights the techniques in DC regulator design This book contains seven chapters that cover different circuit types from the simple incorporation of silicon chips to the complex IC manufacturing After providing an overview of the changes in power supply design this book goes on discussing the various circuit configurations applicable to linear IC voltage regulators and switching regulator designs The following chapters contain schematic diagrams of a general assortment of regulators In these chapters the circuits are based on three terminal linear regulator ICs that offer simplicity of design low cost minimal circuit complexity and relatively fast construction times A chapter focuses on a wide assortment of regulators that fall into the general category of switchers which is a very broad class of circuit that encompasses several highly different configurations The discussion then shifts to the switching power supply circuits that fall into the category of flyback regulators also known as ringing choke regulators The last chapters deal with DC regulators that perform true value voltage conversions and their distinct characteristics These chapters also include circuits that did not exactly fit the other circuit categories such as battery chargers and motor controllers Technicians and electronic engineers and designers who are interested in electronic design will find this book beneficial

**Circuit Design for Electronic Instrumentation** Darold Wobschall,1979 **Troubleshooting and Repairing Power Tools** Homer L. Davidson,1990 Implements covered range from cordless screwdrivers hand drills sanders grinders and glue guns to routers saws drill presses shapers lathes and electric mowers Instructions accompanied by clear hand on tool photographs

**Master Guide to Electronics Circuits** Harry L. Helms,1988 **Electricity and Electronics, Basic** William Barnett Steinberg,Walter Boyd Ford,1972 *Sears* Sears, Roebuck and Company,1984

**Junior Electronics and Radio Experiments** ,1967 Projects and experiments in electronics and radio that have been thoroughly tested and can be reconstructed at very low cost with little equipment

**Catalog of Sears, Roebuck and Company** Sears, Roebuck and Company,1983 Encyclopedia of Electronic Circuits, Volume 7 Rudolf F. Graf,William Sheets,1985 Timely and practical circuits from the creative work of many people Featured here are many circuits that appeared only briefly in some of our finer periodicals or limited circulation publications Also included are other useful and unique circuits from more readily available sources Introd v 1 p vii *Radio News* ,1922 Some issues 1943 July 1948 include separately paged and numbered section called Radio electronic engineering edition called Radionics edition in 1943

**Encyclopedia of Electronic Circuits, Volume 7** William Sheets,Rudolf F. Graf,1999 Publisher s Note Products purchased from Third Party sellers are not guaranteed by the publisher for quality authenticity or access to any online entitlements included with the product

**Communications Engineering & Design** ,1987 **Introductory Circuit**

**Analysis** Robert L. Boylestad,2000 The accompanying CD ROM includes EWB circuits rendered in Electronics Workbench a limited demonstration of Electronics Workbench and a full student version of EWB 5 X *Electric Circuits* David A. Bell,1994 Electromechanical Design Handbook Ronald A. Walsh,2000-01-25 A Z guide to electrical electronic and mechanical engineering design data The ultimate sourcebook of electro mechanical engineering design data is now better than ever with thoroughly updated material new discussions of engineering economics and elastomer springs and a bounty of new drawings Electro Mechanical Design Handbook Third Edition by Ronald A Walsh gives you the know how you need to develop parts mechanisms and assemblies with thorough explanations of Properties uses and strength of engineering materials Machine element design and mechanisms Basic pneumatics hydraulics air handling and heat Fastener and joining techniques Layout and fabrication practices including castings moldings extrusions and powder metal technology Finishes and plating practices Dimensioning and tolerancing practices Much much more **Electronic Circuit Design Ideas** Venkataraman Lakshminarayanan,1995 In 14 chapters covering over 170 circuits this compendium contains a wide range of circuit design ideas Each idea consists of a circuit diagram waveforms where applicable and a simple explanation of how each circuit works In many cases relevant design equations and formulae are also shown

Immerse yourself in the artistry of words with Experience Art with its expressive creation, Immerse Yourself in **9 Volt Battery Charger Schematic** . This ebook, presented in a PDF format ( PDF Size: \*), is a masterpiece that goes beyond conventional storytelling. Indulge your senses in prose, poetry, and knowledge. Download now to let the beauty of literature and artistry envelop your mind in a unique and expressive way.

[https://auld.rmjm.com/book/scholarship/Download\\_PDFS/Topcon\\_Gts\\_3b\\_Manual.pdf](https://auld.rmjm.com/book/scholarship/Download_PDFS/Topcon_Gts_3b_Manual.pdf)

## **Table of Contents 9 Volt Battery Charger Schematic**

1. Understanding the eBook 9 Volt Battery Charger Schematic
  - The Rise of Digital Reading 9 Volt Battery Charger Schematic
  - Advantages of eBooks Over Traditional Books
2. Identifying 9 Volt Battery Charger Schematic
  - Exploring Different Genres
  - Considering Fiction vs. Non-Fiction
  - Determining Your Reading Goals
3. Choosing the Right eBook Platform
  - Popular eBook Platforms
  - Features to Look for in an 9 Volt Battery Charger Schematic
  - User-Friendly Interface
4. Exploring eBook Recommendations from 9 Volt Battery Charger Schematic
  - Personalized Recommendations
  - 9 Volt Battery Charger Schematic User Reviews and Ratings
  - 9 Volt Battery Charger Schematic and Bestseller Lists
5. Accessing 9 Volt Battery Charger Schematic Free and Paid eBooks
  - 9 Volt Battery Charger Schematic Public Domain eBooks
  - 9 Volt Battery Charger Schematic eBook Subscription Services
  - 9 Volt Battery Charger Schematic Budget-Friendly Options

6. Navigating 9 Volt Battery Charger Schematic eBook Formats
  - ePub, PDF, MOBI, and More
  - 9 Volt Battery Charger Schematic Compatibility with Devices
  - 9 Volt Battery Charger Schematic Enhanced eBook Features
7. Enhancing Your Reading Experience
  - Adjustable Fonts and Text Sizes of 9 Volt Battery Charger Schematic
  - Highlighting and Note-Taking 9 Volt Battery Charger Schematic
  - Interactive Elements 9 Volt Battery Charger Schematic
8. Staying Engaged with 9 Volt Battery Charger Schematic
  - Joining Online Reading Communities
  - Participating in Virtual Book Clubs
  - Following Authors and Publishers 9 Volt Battery Charger Schematic
9. Balancing eBooks and Physical Books 9 Volt Battery Charger Schematic
  - Benefits of a Digital Library
  - Creating a Diverse Reading Collection 9 Volt Battery Charger Schematic
10. Overcoming Reading Challenges
  - Dealing with Digital Eye Strain
  - Minimizing Distractions
  - Managing Screen Time
11. Cultivating a Reading Routine 9 Volt Battery Charger Schematic
  - Setting Reading Goals 9 Volt Battery Charger Schematic
  - Carving Out Dedicated Reading Time
12. Sourcing Reliable Information of 9 Volt Battery Charger Schematic
  - Fact-Checking eBook Content of 9 Volt Battery Charger Schematic
  - Distinguishing Credible Sources
13. Promoting Lifelong Learning
  - Utilizing eBooks for Skill Development
  - Exploring Educational eBooks
14. Embracing eBook Trends
  - Integration of Multimedia Elements

- Interactive and Gamified eBooks

### **9 Volt Battery Charger Schematic Introduction**

Free PDF Books and Manuals for Download: Unlocking Knowledge at Your Fingertips In today's fast-paced digital age, obtaining valuable knowledge has become easier than ever. Thanks to the internet, a vast array of books and manuals are now available for free download in PDF format. Whether you are a student, professional, or simply an avid reader, this treasure trove of downloadable resources offers a wealth of information, conveniently accessible anytime, anywhere. The advent of online libraries and platforms dedicated to sharing knowledge has revolutionized the way we consume information. No longer confined to physical libraries or bookstores, readers can now access an extensive collection of digital books and manuals with just a few clicks. These resources, available in PDF, Microsoft Word, and PowerPoint formats, cater to a wide range of interests, including literature, technology, science, history, and much more. One notable platform where you can explore and download free 9 Volt Battery Charger Schematic PDF books and manuals is the internet's largest free library. Hosted online, this catalog compiles a vast assortment of documents, making it a veritable goldmine of knowledge. With its easy-to-use website interface and customizable PDF generator, this platform offers a user-friendly experience, allowing individuals to effortlessly navigate and access the information they seek. The availability of free PDF books and manuals on this platform demonstrates its commitment to democratizing education and empowering individuals with the tools needed to succeed in their chosen fields. It allows anyone, regardless of their background or financial limitations, to expand their horizons and gain insights from experts in various disciplines. One of the most significant advantages of downloading PDF books and manuals lies in their portability. Unlike physical copies, digital books can be stored and carried on a single device, such as a tablet or smartphone, saving valuable space and weight. This convenience makes it possible for readers to have their entire library at their fingertips, whether they are commuting, traveling, or simply enjoying a lazy afternoon at home. Additionally, digital files are easily searchable, enabling readers to locate specific information within seconds. With a few keystrokes, users can search for keywords, topics, or phrases, making research and finding relevant information a breeze. This efficiency saves time and effort, streamlining the learning process and allowing individuals to focus on extracting the information they need. Furthermore, the availability of free PDF books and manuals fosters a culture of continuous learning. By removing financial barriers, more people can access educational resources and pursue lifelong learning, contributing to personal growth and professional development. This democratization of knowledge promotes intellectual curiosity and empowers individuals to become lifelong learners, promoting progress and innovation in various fields. It is worth noting that while accessing free 9 Volt Battery Charger Schematic PDF books and manuals is convenient and cost-effective, it is vital to respect copyright laws and intellectual property rights. Platforms offering free downloads often operate within legal

boundaries, ensuring that the materials they provide are either in the public domain or authorized for distribution. By adhering to copyright laws, users can enjoy the benefits of free access to knowledge while supporting the authors and publishers who make these resources available. In conclusion, the availability of 9 Volt Battery Charger Schematic free PDF books and manuals for download has revolutionized the way we access and consume knowledge. With just a few clicks, individuals can explore a vast collection of resources across different disciplines, all free of charge. This accessibility empowers individuals to become lifelong learners, contributing to personal growth, professional development, and the advancement of society as a whole. So why not unlock a world of knowledge today? Start exploring the vast sea of free PDF books and manuals waiting to be discovered right at your fingertips.

### **FAQs About 9 Volt Battery Charger Schematic Books**

How do I know which eBook platform is the best for me? Finding the best eBook platform depends on your reading preferences and device compatibility. Research different platforms, read user reviews, and explore their features before making a choice. Are free eBooks of good quality? Yes, many reputable platforms offer high-quality free eBooks, including classics and public domain works. However, make sure to verify the source to ensure the eBook credibility. Can I read eBooks without an eReader? Absolutely! Most eBook platforms offer web-based readers or mobile apps that allow you to read eBooks on your computer, tablet, or smartphone. How do I avoid digital eye strain while reading eBooks? To prevent digital eye strain, take regular breaks, adjust the font size and background color, and ensure proper lighting while reading eBooks. What the advantage of interactive eBooks? Interactive eBooks incorporate multimedia elements, quizzes, and activities, enhancing the reader engagement and providing a more immersive learning experience. 9 Volt Battery Charger Schematic is one of the best book in our library for free trial. We provide copy of 9 Volt Battery Charger Schematic in digital format, so the resources that you find are reliable. There are also many Ebooks of related with 9 Volt Battery Charger Schematic. Where to download 9 Volt Battery Charger Schematic online for free? Are you looking for 9 Volt Battery Charger Schematic PDF? This is definitely going to save you time and cash in something you should think about.

### **Find 9 Volt Battery Charger Schematic :**

[topcon gts 3b manual](#)

[volvo penta starter generator wiring](#)

[germany sourcebook shadowrun supplement 7204](#)



[manual alfa romeo 159](#)

**spanish lesson 14 answer key**

[2003 dodge dakota blower motor resistor wiring](#)

[4024 w12 ms 22](#)

**bus driver quotes of thank you**

**pc troubleshooting guide**

[porsche 911 carrera 1989 service and repair manual](#)

[physical chemistry a molecular approach mcquarrie solutions](#)

[manual repair engine roomster](#)

[lamborghini murcielago sv lp 670 full service repair manual](#)

[83 honda cbx 650 servise manual](#)

[personality theory and research 11th edition pervin](#)

## **9 Volt Battery Charger Schematic :**

[may 2013 3hr mark schem magallantaekwondo com](#) - Sep 05 2022

web 1 may 2013 3hr mark schem eventually you will unconditionally discover a extra experience and success by spending more cash yet when do you recognize that you require to acquire those all needs behind having significantly cash

**maths igcse 3hr may 2013 mark scheme 2023** - Dec 08 2022

web getting this info acquire the maths igcse 3hr may 2013 mark scheme belong to that we provide here and check out the link you could purchase lead maths igcse 3hr may 2013 mark scheme or acquire it as soon as feasible you could speedily download this maths igcse 3hr may 2013 mark scheme after getting deal so in the manner of you require

**mark scheme results summer 2014 pearson qualifications** - Feb 10 2023

web aug 21 2014 may lie there is no ceiling on achievement all marks on the mark scheme should be used appropriately all the marks on the mark scheme are designed to be awarded examiners should always award full marks if deserved i e if the answer matches the mark scheme examiners should also be prepared to award zero marks if the

[mark scheme results pearson qualifications](#) - Apr 12 2023

web aug 23 2017 mark scheme results summer 2017 pearson edexcel international gcse in mathematics a 4ma0 paper 3hr edexcel and btec qualifications edexcel and btec qualifications are awarded by pearson the uk s largest awarding body

**mark scheme results pearson qualifications** - May 13 2023

web aug 22 2018 international gcse maths june 2018 paper 3hr mark scheme apart from questions 7 17 19 and 20 where

the mark scheme states otherwise the correct answer unless clearly obtained by an incorrect method should be taken to imply a correct method question working answer mark notes 1 a 26 72 2 or 15775 36 22 09 714 1 40335 2

[mark scheme igcse maths 3hr may 2013 download only cie](#) - Jun 14 2023

web mark scheme igcse maths 3hr may 2013 mark scheme igcse maths 3hr may 2013 2 downloaded from cie advances asme org on 2020 07 14 by guest build proficiency in algebra for students who want to progress beyond algebra at level 2 or achieve a gcse mathematics grade a or a or move with confidence into as mathematics key stage 3

[mathematics a solutions ig exams](#) - Jul 15 2023

web detailed solutions for edexcel igcse may 2013 paper 3h we aim to help you enjoy improve and succeed with your maths note we use our means maths4everyone limited you your means the person who is using these solutions igexams com question 1 3 marks date printed 17 05 17 ref 3h may 2013

**labour market report third quarter 2018** - Feb 27 2022

web labour market report third quarter 2018 f 2 as the measure covers one s typical weekly work schedule irregular arrangements are not taken into account since they are not recurrent over a long observation period examples include annual leave public holidays sick leave and adhoc overtime required

[singapore public holidays 2013 ministry of manpower](#) - Jan 29 2022

web apr 9 2012 15 october 2013 tuesday deepavali 3 november 2013 sunday christmas day 25 december 2013 wednesday as chinese new year falls on sunday 10 february 2013 and monday 11 february 2013 the next day tuesday 12

[igcse maths 3hr may 2013 mark scheme status xgamingserver](#) - Jul 03 2022

web 2 igcse maths 3hr may 2013 mark scheme 2020 01 25 explores curriculums from three unique perspectives cognitive psychologists learning emphasis curriculum specialists and teacher educators c i emphasis and measurement and assessment

**igcse maths 3hr may 2013 mark scheme 2023 las gnome org** - Nov 26 2021

web igcse maths 3hr may 2013 mark scheme if you ally craving such a referred igcse maths 3hr may 2013 mark scheme book that will give you worth get the unconditionally best seller from us currently from several preferred authors if you want to funny books lots of novels tale jokes and more fictions collections are as well as launched from best

**mark scheme results summer 2015 pearson qualifications** - Oct 06 2022

web aug 19 2015 mark scheme results summer 2015 pearson edexcel international gcse mathematics a 4ma0 paper 3hr edexcel and btec qualifications edexcel and btec qualifications are awarded by pearson the uk s largest awarding body may be seen in part i total 7 marks 12 a 1 4 11 17 19 20 1 b1 b correct cf graph 2 b2

**mark scheme results summer 2013 pearson qualifications** - Aug 16 2023

web aug 22 2013 mark scheme where some judgement is required mark schemes will provide the principles by which marks

will be awarded and exemplification may be limited when examiners are in doubt regarding the application of the mark scheme to a candidate's response the team leader must be consulted crossed out work should be

[edexcel igcse higher tier mathematics 3h may 2013](#) - Mar 11 2023

web edexcel igcse higher tier mathematics paper 3 may 2013 1 13 0 2 1 3 2 8 3 14 4 88 mean 2 2 40 40 2 a 0 3532849483 b 0 35 3 a 6 12n b p p 5 c 7 3 2 7 3 2 5 3 3 5 x x x x x 4 a x and 107 are corresponding angles b

**employment act 1968 singapore statutes online** - Dec 28 2021

web aug 6 2023 singapore statutes online is provided by the legislation division of the singapore attorney general's chambers

[maths igcse may 2013 3h 10 pdf files past papers archive](#) - Sep 17 2023

web here are 10 results for maths igcse may 2013 3h 1 3h mark scheme may 2013 pdf mark scheme results summer 2013 mathsaurus mark scheme results summer 2013 international gcse mathematics 4ma0 paper 3h level 1 level 2 certificate in mathematics kma0 paper 3h edexcel and btec 2

**singapore school holidays 2013 official public government moe** - May 01 2022

web sunday 09 december 2012 sunday 13 january 2013 saturday 23 february sunday 03 march 2013 sunday 12 may sunday 04 august 2013 saturday 21 september sunday 29 september 2013

[math mark scheme paper 3hr may 2013 4mao 3hr download](#) - Nov 07 2022

web math mark scheme paper 3hr may 2013 4mao 3hr math mark scheme paper 3hr may 2013 4mao 3hr 2 downloaded from cie advances asme org on 2020 03 13 by guest algebra for students who want to progress beyond algebra at level 2 or achieve a gcse mathematics grade a or a or move with confidence into as mathematics core

*may 2013 3hr mark scheme test thelyst com* - Jun 02 2022

web may 2013 3hr mark scheme 2023 04 01 mcMahon melody next generation earth system prediction routledge imperialism as we knew it may be no more but empire is alive and well it is as michael hardt and antonio negri demonstrate in this bold work the new political order of globalization their book

**2013 in singapore wikipedia** - Mar 31 2022

web 29 may 2013 dengue outbreak in singapore a man from hougang dies from dengue shock syndrome the first reported death case relating to dengue in singapore this year 46 31 may peter lim sim pang a former singapore civil defence force commissioner is found guilty in a sex for contracts scandal involving three women subsequently

**may 2013 ib business and management markscheme** - Jan 09 2023

web may 2013 ib business and management markscheme may 2013 ib business and management markscheme 5 downloaded from cie advances asme org on 2023 04 28 by guest advances asme org is here to cater to may 2013 ib business and

management markscheme join us on this reading journey and let the pages of our ebooks transport  
[paper 3hr maths may 2013 mark scheme](#) - Aug 04 2022

web it will categorically ease you to look guide paper 3hr maths may 2013 mark scheme as you such as by searching the title publisher or authors of guide you really want you can discover them rapidly in the house workplace or perhaps in your method can be all best place within net connections

[mark scheme results summer 2013 pearson qualifications](#) - Oct 18 2023

web aug 22 2013 summer 2013 international gcse mathematics a 4ma0 3hr edexcel and btec qualifications edexcel and btec qualifications come from pearson the world s leading learning company we provide a wide range of qualifications including academic vocational occupational and specific programmes for employers

**limba araba moderna pentru incepatori cu suport audio libris ro** - Jan 07 2023

web limba arabă care a fost inițial limba populației nomade din peninsula arabică s a extins în urma cuceririlor arabe din secolele vii și viii devenind datorita coranului limbă

**editura berg manual de limba araba moderna** - Oct 04 2022

web manual de limba araba ives goldenberg

[turcă manualul de lucru descarcă gratis linguashop](#) - Jan 27 2022

web may 24 2020 araba İçi temizliği kapı panelleri ve pervazlar arabanın bu alanları yumuşak beziniz ve wd 40 ile kolayca halledilebilir kapı tasarımınızda birçok plastik

**pdf manual de limba araba yves goldenberg free** - Oct 24 2021

web yves goldenberg manual de limba araba datamax manual ca36c manual cse 743tq 865b sq manual teac mc dx22i manual ge wavepro breaker manual jeep wrangler

[română arabă pentru începători continut goethe verlag](#) - Jun 12 2023

web cursul de limbă română arabă al book2 este de asemenea disponibil ca aplicație iphone sau android sub numele Învățați arabă Învățați română arabă oriunde cu telefonul sau

**araba İçi temizliği ve bakımı için eksiksiz rehber** - Dec 26 2021

web manual de limba araba yves goldenberg free ebook download as pdf file pdf or read book online for free manual de limba araba yves goldenberg

*manual de limba araba yves goldenberg pdf scribd* - Nov 24 2021

web jul 27 2023 report manual de limba araba yves goldenberg please fill this form we will try to respond as soon as possible your name email reason description submit

[manual de limba araba moderna pentru incepatori](#) - Mar 09 2023

web araba este o limbă afroasiatică care s a dezvoltat în secolul al vii lea în peninsula arabică și acum este vorbită în 30 de țări și teritorii diferite din africa de nord și orientul mijlociu

**Învățã limba arabã online intr un mod usor mondly** - Feb 08 2023

web limba araba moderna pentru incepatori cu suport audio maya aljarrah author maya aljarrah keywords limba araba moderna pentru incepatori cu suport audio maya

manual de limba arabã librãria online europress group - Dec 06 2022

web aug 9 2021 araba kullanmak ÷lkemizde oldukça yaygındır Özellikle hem manuel hem de otomatik vites arabalar bulunmaktadır araba kullanmayı bilmeyen kişiler arabanın nasıl

pdf manual de limba araba ives goldenberg academia edu - Sep 03 2022

web manual de limba araba yves goldenberg carturesti ro carte manual de limba araba manual de limba araba yves goldenberg categorii limbi straine limba romana data

manual de limba araba moderna pentru incepatori cd - Apr 29 2022

web araba literarã □□□□□□ □□□□□□□□ □□□□□□ al luğatu al arabiiyatü al fushã limba arabã cea mai elocventã dintre limbi se referã atãt la limba literarã standard folositã ca limbã

**manual de limba arabã pdf scribd** - Jul 01 2022

web download view manual de limba araba as pdf for free more details pages 214 preview full text download view manual de limba araba as pdf for free related

araba nasıl kullanılır manuel ve otomatik vites araba - Nov 05 2022

web manual de limba araba moderna pentru incepatori cd de maya aljarrah prezenta lucrare se adreseazã celor care doresc sã învețe limba arabã aceasta

*yves goldenberg manual de limba araba yunqian info* - Sep 22 2021

**limba arabã contemporana pdf pdf scribd** - Apr 10 2023

web ele apar totui n abecedare sau n diverse manuale elementare pentru copii sau pentru strinii interesai s nvee limba arabã totui ele apar ntodeauna coran i de multe ori n

manual de limba arabã 1430xyxgww4j documents and e books - May 31 2022

web comandã online manual de limba araba moderna pentru incepatori cd la 120 00 lei scrisã de maya aljarrah tiparitã la editura editura berg în anul 2019 cu plata ramburs

*manual de limba arabã yves goldenberg pdf scribd* - May 11 2023

web limba arabi care a fost initial limba populatiei nomade din peninsula arabica cu exceptia arabiei meridionale s a extins

fn urea cuceririlor arabe din secolul al VII-lea

**manual de limba araba yves goldenberg carturesti ro** - Aug 02 2022

web manual de limba araba free ebook download as pdf file pdf or read book online for free manual de limba araba

*limba arabă wikipedia* - Mar 29 2022

web manual limba araba an introduction to arabic translation mar 29 2021 combining theory and practice this book is a model for arabic translation and prepares students for the

*manual limba araba book* - Feb 25 2022

web manual de studiu în limba turcă gratis pentru descărcare descărcați gratuit un registru de lucru în fiecare săptămână este important de menționat că pronumele nu sunt folosite

**pdf manual de limba araba dokumen tips** - Aug 14 2023

web 8 21 2019 manual de limba araba 1 2148 21 2019 manual de limba araba 2 2148 21 2019 manual de limba araba 3 2148 21 2019 manual de limba araba

arabă manualul de lucru descarcă gratis - Jul 13 2023

web jun 29 2020 arabă manualul de lucru descarcă gratis aflați limba arabă cu o carte de exerciții mai mult de 18 de pagini de exerciții în arabă pentru a vă ajuta să învățați cele

110 questions with answers in adc science topic researchgate - Dec 26 2021

web questions with answer pdf adc lab viva questions with answer download adc lab viva questions with answer download and read adc lab viva questions

300 real time adc lab viva questions answers 2023 - Jul 13 2023

web 300 top digital communication lab viva questions and answers 250 top mcqs on digital bandpass modulation techniques answers 300 top analog

*edc lab viva questions and answers* - Oct 04 2022

web answered viva voce questions and solved examination questions given at the end of each experiment will be very helpful for the students the purpose of the experiments

**edc lab viva questions and answers objectivebooks** - Sep 03 2022

web adc lab viva questions with answer mechanical experiments and workshop practice jul 18 2020 the book is meant for first year be b tech students and addresses the

*adc lab viva questions with answer bespoke cityam* - Oct 24 2021

*ece labs viva questions with answers free* - Apr 10 2023

web viva questions for advanced communication lab 1 state different types of digital modulation techniques 2 what is shift keying 3 what is a binary modulation

**viva questions for advanced communication lab pdf** - Feb 08 2023

web ade lab viva questions 1 what are the disadvantages of analog communication its not reliable noise effect is more on the signals power required for signal transmission also

[adc lab viva questions with answers gordon joughin](#) - Feb 25 2022

web aug 6 2023 explore the latest questions and answers in adc and find adc experts questions 110 publications 58 626 questions related to adc 1 2 Idil

*dc machine lab viva questions answers* - Nov 24 2021

**adc lab viva questions with answer full pdf** - Apr 29 2022

web the end of each chapter a number of questions have been provided for testing the students understanding about the concept of the subject the whole text has been organized in 10

**model viva questions for analog electronics ggpbilaspur** - Nov 05 2022

web edc lab viva questions and answers electrical lab question no 01 what is modulation answer modulation is the process of varying some characteristic of a

[adc lab viva questions with answer home rightster com](#) - Mar 29 2022

web jan 6 2023 merely said the adc lab viva questions with answer is universally compatible with any devices to read data converters franco maloberti 2007 02 22 this

[adc lab viva questions with answer pdf pdf nature](#) - May 11 2023

web viva questions for analog communication lab 1 draw the block diagram of a communication system 2 distinguish between passband and baseband transmission

**viva questions for analog communication lab pdf** - Mar 09 2023

web nov 23 2016 here we provide all engineering department of all semesters i e 1st 2nd 3rd 4th 5th 6th 7th 8th lab viva questions with answers you can make use of it and

**ebook adc lab viva questions with answer** - Jul 01 2022

web adc lab viva questions with answer 10 common job interview questions and how to answer them mar 07 2021 web nov 11 2021 below is a list of 10 common job interview

[adc lab viva questions with answer](#) - Jan 27 2022

web feb 5 2019 best dc machine lab viva questions and answers dear readers welcome to dc machine lab viva questions and

answers have been designed

*50 top advanced communication lab viva questions* - Aug 14 2023

web 50 top advanced communication lab viva questions answers 1 state different types of digital modulation techniques 2

what is shift keying 3 what is a binary

[adc lab viva questions with answers pdf](#) - Aug 02 2022

web questions with their answers provides exposure on various devices target audience b tech electronics and communication engineering electrical and electronics

*ade lab viva questions pdf digital electronics logic gate* - Dec 06 2022

web jul 14 2021 31 what is oscillator an oscillator is a circuit that creates a waveform output from a direct current input the two main types of oscillator are harmonic and relaxation

*lab viva questions and answers engineering interview* - Jan 07 2023

web 1 infinite voltage gain 2 infinite input resistance 3 zero o p resistance 4 zero o p voltage when i p voltage is zero 5

infinite band with 6 infinite common mode rejection ratio 7

*adc lab viva questions with answers full pdf old vulkk* - May 31 2022

web adc lab viva questions with answer patentrisk solutions april 10th 2018 browse and read adc lab viva questions with answer adc lab viva questions with answer

**communication systems lab viva questions** - Jun 12 2023

web adc lab viva questions with answer 2 pdf free download as pdf file pdf text file txt or read online for free