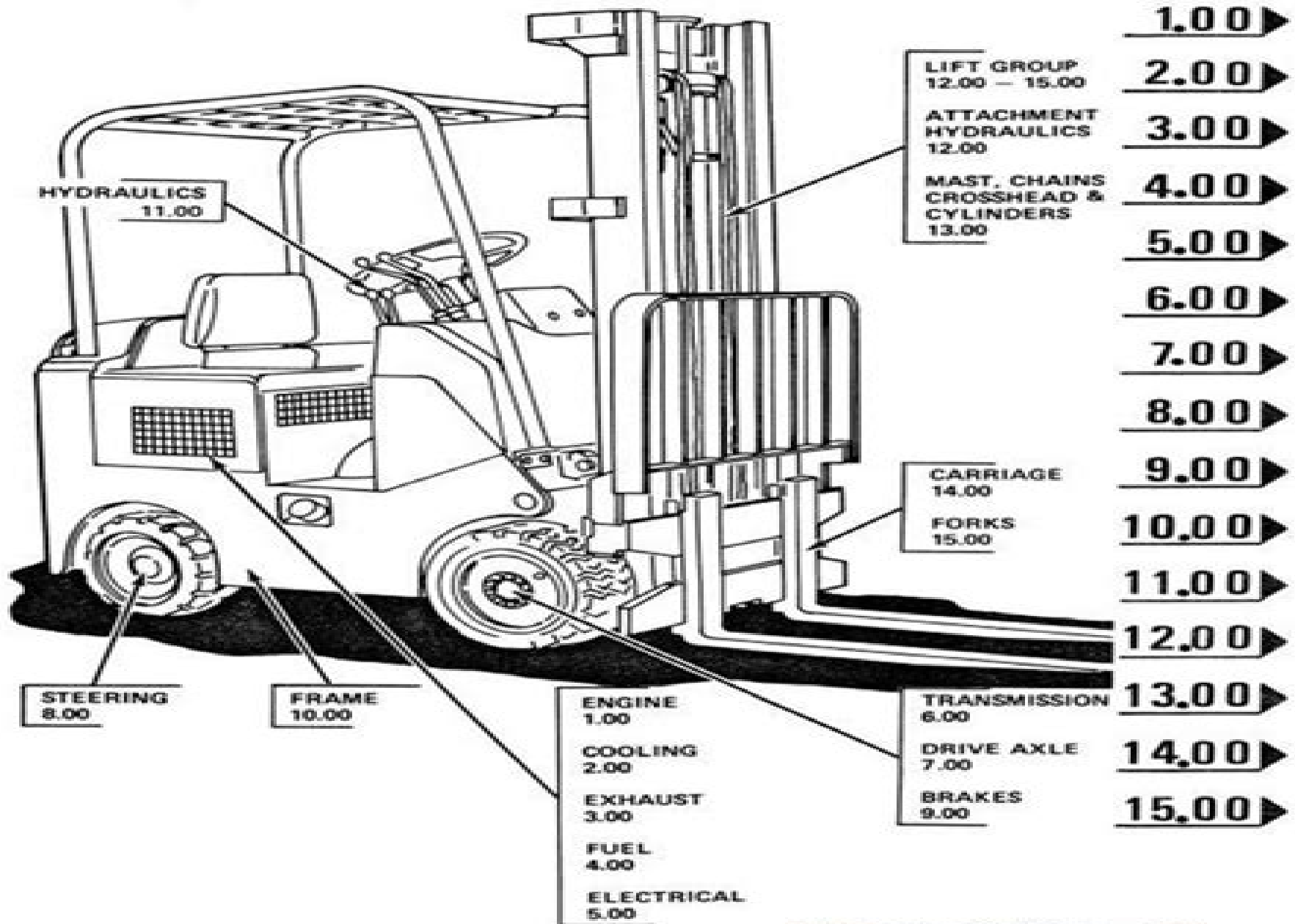


QUICK REFERENCE GUIDE TO MAJOR SECTIONS



Stand Up Forklift Manual

Charles Albert Taff



Stand Up Forklift Manual:

Federal Rules of Evidence Manual Stephen A. Saltzburg, Michael M. Martin, Daniel J. Capra, 2006 A complete guide to the Federal rules of evidence *Commercial Motor Transportation* Charles Albert Taff, 1986 **West's New York Supplement** ,1992 **Reports of Selected Cases Decided in Courts of the State of New York Other Than the Court of Appeals and the Appellate Division of the Supreme Court** ,1991 *Safety and Health at Work* ,1993
Occupational safety and health cases ,2003 The Forklift Manual John L. Ryan, L. D. Ryan, 2006 *North western reporter. Second series. N.W. 2d. Cases argued and determined in the courts of Iowa, Michigan, Minnesota, Nebraska, North Dakota, South Dakota, Wisconsin* ,1994 **Product Safety & Liability Reporter** ,2006 **Intelligent Autonomous Vehicles** ,1995 *Chilton's Distribution Worldwide for Traffic and Physical Distribution Management* ,1978 *Labor Arbitration Information System* ,1991 **Food Engineering Systems: Operations** Arthur William Farrall, 1976 V 1
Physical and chemical properties of food products and handling materials Mechanical harvesting of fruits and vegetables Thermal processing Cooling and refrigeration Freezing and cooling applicaiton Bakery products Evaporating and drying equipment Separators and separating Grinding and size reduciton Homogenization extuders and extractors Irradiation of food Cereal grain processing Chirning and buteer handling equipment Cheese plant equipment Potatoes Candy and conctionery manufacturing systems Egg processing Meat processing and packaging Fruit and vegetable processing systems V 2 The system approach Mechanical systems Power transmission Hydraulic and fluid systems electrical system Heating systems for food processing plants Steam generation Refrigeration and cooling systems Temperature measurement and control Water quality treatment and utlization Waste disposal lubrication Materials handling Automation and computer systems Food plant design Energy Safety and fire protection systems Design News ,2008 **West's Federal Supplement** ,1999 Cases decided in the United States district courts United States Court of International Trade and rulings of the Judicial Panel on Multidistrict Litigation *Expert Evidence Report* ,2006 *Business Review Weekly* ,2005
Cassier's Industrial Management and Mechanical Handling ,1975 *T & DM* ,1973 **Railway and Shipping World** ,1978

Discover tales of courage and bravery in Crafted by is empowering ebook, **Stand Up Forklift Manual** . In a downloadable PDF format (PDF Size: *), this collection inspires and motivates. Download now to witness the indomitable spirit of those who dared to be brave.

https://auld.rmjm.com/data/uploaded-files/Download_PDFS/9%20wired%20keyboard%20case.pdf

Table of Contents Stand Up Forklift Manual

1. Understanding the eBook Stand Up Forklift Manual
 - The Rise of Digital Reading Stand Up Forklift Manual
 - Advantages of eBooks Over Traditional Books
2. Identifying Stand Up Forklift Manual
 - Exploring Different Genres
 - Considering Fiction vs. Non-Fiction
 - Determining Your Reading Goals
3. Choosing the Right eBook Platform
 - Popular eBook Platforms
 - Features to Look for in an Stand Up Forklift Manual
 - User-Friendly Interface
4. Exploring eBook Recommendations from Stand Up Forklift Manual
 - Personalized Recommendations
 - Stand Up Forklift Manual User Reviews and Ratings
 - Stand Up Forklift Manual and Bestseller Lists
5. Accessing Stand Up Forklift Manual Free and Paid eBooks
 - Stand Up Forklift Manual Public Domain eBooks
 - Stand Up Forklift Manual eBook Subscription Services
 - Stand Up Forklift Manual Budget-Friendly Options
6. Navigating Stand Up Forklift Manual eBook Formats

- ePub, PDF, MOBI, and More
 - Stand Up Forklift Manual Compatibility with Devices
 - Stand Up Forklift Manual Enhanced eBook Features
7. Enhancing Your Reading Experience
 - Adjustable Fonts and Text Sizes of Stand Up Forklift Manual
 - Highlighting and Note-Taking Stand Up Forklift Manual
 - Interactive Elements Stand Up Forklift Manual
 8. Staying Engaged with Stand Up Forklift Manual
 - Joining Online Reading Communities
 - Participating in Virtual Book Clubs
 - Following Authors and Publishers Stand Up Forklift Manual
 9. Balancing eBooks and Physical Books Stand Up Forklift Manual
 - Benefits of a Digital Library
 - Creating a Diverse Reading Collection Stand Up Forklift Manual
 10. Overcoming Reading Challenges
 - Dealing with Digital Eye Strain
 - Minimizing Distractions
 - Managing Screen Time
 11. Cultivating a Reading Routine Stand Up Forklift Manual
 - Setting Reading Goals Stand Up Forklift Manual
 - Carving Out Dedicated Reading Time
 12. Sourcing Reliable Information of Stand Up Forklift Manual
 - Fact-Checking eBook Content of Stand Up Forklift Manual
 - Distinguishing Credible Sources
 13. Promoting Lifelong Learning
 - Utilizing eBooks for Skill Development
 - Exploring Educational eBooks
 14. Embracing eBook Trends
 - Integration of Multimedia Elements
 - Interactive and Gamified eBooks

Stand Up Forklift Manual Introduction

Free PDF Books and Manuals for Download: Unlocking Knowledge at Your Fingertips In today's fast-paced digital age, obtaining valuable knowledge has become easier than ever. Thanks to the internet, a vast array of books and manuals are now available for free download in PDF format. Whether you are a student, professional, or simply an avid reader, this treasure trove of downloadable resources offers a wealth of information, conveniently accessible anytime, anywhere. The advent of online libraries and platforms dedicated to sharing knowledge has revolutionized the way we consume information. No longer confined to physical libraries or bookstores, readers can now access an extensive collection of digital books and manuals with just a few clicks. These resources, available in PDF, Microsoft Word, and PowerPoint formats, cater to a wide range of interests, including literature, technology, science, history, and much more. One notable platform where you can explore and download free Stand Up Forklift Manual PDF books and manuals is the internet's largest free library. Hosted online, this catalog compiles a vast assortment of documents, making it a veritable goldmine of knowledge. With its easy-to-use website interface and customizable PDF generator, this platform offers a user-friendly experience, allowing individuals to effortlessly navigate and access the information they seek. The availability of free PDF books and manuals on this platform demonstrates its commitment to democratizing education and empowering individuals with the tools needed to succeed in their chosen fields. It allows anyone, regardless of their background or financial limitations, to expand their horizons and gain insights from experts in various disciplines. One of the most significant advantages of downloading PDF books and manuals lies in their portability. Unlike physical copies, digital books can be stored and carried on a single device, such as a tablet or smartphone, saving valuable space and weight. This convenience makes it possible for readers to have their entire library at their fingertips, whether they are commuting, traveling, or simply enjoying a lazy afternoon at home. Additionally, digital files are easily searchable, enabling readers to locate specific information within seconds. With a few keystrokes, users can search for keywords, topics, or phrases, making research and finding relevant information a breeze. This efficiency saves time and effort, streamlining the learning process and allowing individuals to focus on extracting the information they need. Furthermore, the availability of free PDF books and manuals fosters a culture of continuous learning. By removing financial barriers, more people can access educational resources and pursue lifelong learning, contributing to personal growth and professional development. This democratization of knowledge promotes intellectual curiosity and empowers individuals to become lifelong learners, promoting progress and innovation in various fields. It is worth noting that while accessing free Stand Up Forklift Manual PDF books and manuals is convenient and cost-effective, it is vital to respect copyright laws and intellectual property rights. Platforms offering free downloads often operate within legal boundaries, ensuring that the materials they provide are either in the public domain or authorized for distribution. By adhering to copyright laws, users can enjoy the benefits of free access to knowledge while supporting the authors and publishers who

make these resources available. In conclusion, the availability of Stand Up Forklift Manual free PDF books and manuals for download has revolutionized the way we access and consume knowledge. With just a few clicks, individuals can explore a vast collection of resources across different disciplines, all free of charge. This accessibility empowers individuals to become lifelong learners, contributing to personal growth, professional development, and the advancement of society as a whole. So why not unlock a world of knowledge today? Start exploring the vast sea of free PDF books and manuals waiting to be discovered right at your fingertips.

FAQs About Stand Up Forklift Manual Books

How do I know which eBook platform is the best for me? Finding the best eBook platform depends on your reading preferences and device compatibility. Research different platforms, read user reviews, and explore their features before making a choice. Are free eBooks of good quality? Yes, many reputable platforms offer high-quality free eBooks, including classics and public domain works. However, make sure to verify the source to ensure the eBook credibility. Can I read eBooks without an eReader? Absolutely! Most eBook platforms offer webbased readers or mobile apps that allow you to read eBooks on your computer, tablet, or smartphone. How do I avoid digital eye strain while reading eBooks? To prevent digital eye strain, take regular breaks, adjust the font size and background color, and ensure proper lighting while reading eBooks. What the advantage of interactive eBooks? Interactive eBooks incorporate multimedia elements, quizzes, and activities, enhancing the reader engagement and providing a more immersive learning experience. Stand Up Forklift Manual is one of the best book in our library for free trial. We provide copy of Stand Up Forklift Manual in digital format, so the resources that you find are reliable. There are also many Ebooks of related with Stand Up Forklift Manual. Where to download Stand Up Forklift Manual online for free? Are you looking for Stand Up Forklift Manual PDF? This is definitely going to save you time and cash in something you should think about. If you trying to find then search around for online. Without a doubt there are numerous these available and many of them have the freedom. However without doubt you receive whatever you purchase. An alternate way to get ideas is always to check another Stand Up Forklift Manual. This method for see exactly what may be included and adopt these ideas to your book. This site will almost certainly help you save time and effort, money and stress. If you are looking for free books then you really should consider finding to assist you try this. Several of Stand Up Forklift Manual are for sale to free while some are payable. If you arent sure if the books you would like to download works with for usage along with your computer, it is possible to download free trials. The free guides make it easy for someone to free access online library for download books to your device. You can get free download on free trial for lots of books categories. Our library is the biggest of these that have literally hundreds of thousands of different products categories represented. You

will also see that there are specific sites catered to different product types or categories, brands or niches related with Stand Up Forklift Manual. So depending on what exactly you are searching, you will be able to choose e books to suit your own need. Need to access completely for Campbell Biology Seventh Edition book? Access Ebook without any digging. And by having access to our ebook online or by storing it on your computer, you have convenient answers with Stand Up Forklift Manual To get started finding Stand Up Forklift Manual, you are right to find our website which has a comprehensive collection of books online. Our library is the biggest of these that have literally hundreds of thousands of different products represented. You will also see that there are specific sites catered to different categories or niches related with Stand Up Forklift Manual So depending on what exactly you are searching, you will be able to choose ebook to suit your own need. Thank you for reading Stand Up Forklift Manual. Maybe you have knowledge that, people have search numerous times for their favorite readings like this Stand Up Forklift Manual, but end up in harmful downloads. Rather than reading a good book with a cup of coffee in the afternoon, instead they juggled with some harmful bugs inside their laptop. Stand Up Forklift Manual is available in our book collection an online access to it is set as public so you can download it instantly. Our digital library spans in multiple locations, allowing you to get the most less latency time to download any of our books like this one. Merely said, Stand Up Forklift Manual is universally compatible with any devices to read.

Find Stand Up Forklift Manual :

9 wired keyboard case

[2nd semester final review guide](#)

[bus cardboard model plans](#)

[bronagh slater brothers english edition](#)

[elasticity and its application chapter 5 answers](#)

[blue pelican math lesson six unit four awsners](#)

[at t answering machine 1718 user manual](#)

good food chicken cook

rainy day teatime

natuur wetenskap graad 9 november

voltas ac remote manual

[mercruiser alpha gen 1 manual](#)

70 rows for spirit warfare

[19 3 answer key](#)

20key stage 1 maths mark scheme

Stand Up Forklift Manual :

personal fitness training theory practice amazon com - Jul 02 2023

web jan 1 2006 personal fitness training theory practice hardcover january 1 2006 personal fitness training theory practice hardcover january 1 2006 by mary m yoke author 3 8 36 ratings see all formats and editions

[personal training theory and practice google books](#) - Apr 30 2023

web mar 18 2014 james crossley routledge mar 18 2014 education 256 pages 1 review reviews aren t verified but google checks for and removes fake content when it s identified personal training theory and

[personal training theory and practice google books](#) - Oct 05 2023

web jan 22 2013 personal training theory and practice second edition draws together in one unique volume the personal practical and business skills central to becoming a successful personal trainer

9 benefits of personal training healthline - Feb 14 2022

web oct 1 2021 having a personal trainer to guide you through the correct positioning and form is invaluable they can help ensure that you re performing the exercise most effectively for your body you ll

personal fitness training theory practice amazon com - Apr 18 2022

web jan 1 2007 978 0977710201 see all details the amazon book review book recommendations author interviews editors picks and more read it now product details asin b00krk17vy publisher aerobics and fitness association of america 2nd edition january 1 2007 language english isbn 10 0977710203

[personal training theory and practice amazon com](#) - Mar 30 2023

web jun 29 2012 personal training theory and practice second edition draws together in one unique volume the personal practical and business skills central to becoming a successful personal trainer this accessible book introduces you to the fundamentals of applied exercise prescription and programme design as well as advanced concepts

[amazon com personal fitness training theory practice](#) - Jul 22 2022

web amazon com personal fitness training theory practice skip to main content us delivering to lebanon 66952 update location all select the department you

[personal fitness trainer textbook afaa](#) - Aug 03 2023

web personal fitness training theory practice is the official textbook to prepare for afaa s personal trainer certification v4 exam 79 add to cart why is afaa the best choice history since 1983 afaa has led the industry on group fitness instruction workshops receive valuable hands on training from an industry expert continuing

[personal training theory and practice google books](#) - Oct 25 2022

web personal training theory and practice second edition draws together in one unique volume the personal practical and business skills central to becoming a successful personal trainer this accessible book introduces you to the fundamentals of applied exercise prescription and programme design as well as advanced concepts including

personal training theory and practice crossley james free - Jun 20 2022

web 1 anatomy and physiology 2 exercise prescription and programme design 3 strength and conditioning 4 cardiovascular training 5 flexibility 6 periodization variation and recovery 7 posture 8 core strength and stability 9 functional exercise training for improved movement 10

personal training theory and practice paperback amazon co uk - May 20 2022

web may 26 2006 personal training theory and practice draws together the personal practical and business skills central to becoming a successful personal trainer in one unique volume this accessible new book introduces the fundamentals of applied exercise prescription and programme design as well as advanced concepts such as nutritional

personal training theory and practice google books - Nov 25 2022

web mar 18 2014 personal training theory and practice is the ideal companion both for those embarking on a career in personal training and for experienced trainers preview this book what people are

personal training theory and practice theory and practice - Sep 04 2023

web personal training theory and practice draws together the personal practical and business skills central to becoming a successful personal trainer in one unique volume this accessible new book introduces the fundamentals of applied exercise prescription and programme design as well as advanced concepts such as nutritional intervention

personal fitness training theory practice yoke mary m 1953 - Aug 23 2022

web vi 468 p 29 cm the comprehensive resource for personal fitness training cover includes bibliographical references and index understanding wellness exercise physiology anatomy and kinesiology health screening and risk appraisal fitness assessment cardiorespiratory programming muscular strength and endurance

personal training theory and practice google books - Jan 28 2023

web it provides authoritative coverage of practical aspects of personal training stability functional exercise sport specific training and speed development all the latest fitness methods weight loss diet and nutrition key business skills including professional conduct presentation and marketing personal training theory and

personal training theory and practice routledge - Jun 01 2023

web description personal training theory and practice second edition draws together in one unique volume the personal practical and business skills central to becoming a successful personal trainer this accessible book introduces you to the

fundamentals of applied exercise prescription and programme design as well as advanced concepts

[personal training theory and practice google books](#) - Sep 23 2022

web personal training theory and practice second edition draws together in one unique volume the personal practical and business skills central to you becoming a successful personal

[personal training theory and practice james crossley](#) - Feb 26 2023

web personal training theory and practice is the ideal companion and handy reference for those embarking on a career in personal training as well as experienced trainers reviews of the first edition

[what is a personal trainer](#) - Mar 18 2022

web educating people about the many ways to engage in physical exercise and healthy living motivating people to stick with it to achieve their personal fitness and weight loss goals personal trainers have a few things in common they are healthy fit and active but just having those personal qualities isn t enough

[personal training theory and practice goodreads](#) - Dec 27 2022

web personal theory and practice second edition draws together in one unique volume the personal practical and business skills central to becoming a successful personal trainer this accessible book introduces you to the fundamentals of applied exercise prescription and programme design as well as advanced concepts including nutritional

madame in a world of fantasy 21 3 lastdodo - Nov 21 2022

web madame in a world of fantasy 21 3 21 3 from 1994 buying selling or collecting manage your madame in a world of fantasy collection in the catalogue on lastdodo

[madam in a world of fantasy secure4 khronos](#) - Aug 19 2022

web madame in a world of fantasy 23 05 miss candida on amazon com free shipping on qualifying offers madam in a world of fantasy is a adult magazine that show you a new world of female domination slavery madame in a world of fantasy free downloads list 1 download madame in a world of fantasy software madame in a world of fantasy

[madame in a world of fantasy etsy uk](#) - Jun 16 2022

web madame in a world of fantasy vintagebydouglas 5 out of 5 stars arrives soon get it by 12 20 sep if you order today 12 20 sep if you order today this is the estimated delivery date and is based on the seller s processing time and location carrier transit time and your inferred delivery address keep in mind delivery company delays or

[madame in a world of fantasy magazines newspapers catalogue](#) - Oct 21 2022

web madame in a world of fantasy magazines buying selling or collecting manage your madame in a world of fantasy collection in the catalogue on lastdodo

[after death of player adam johnson how dangerous is ice hockey](#) - Sep 19 2022

web oct 30 2023 by nadine yousif the tragic death of ice hockey player adam johnson after an injury on ice has renewed conversations about the sport s risks and how players can be better protected johnson who

[madame in a world of fantasy ebay](#) - May 16 2022

web find great deals on ebay for madame in a world of fantasy shop with confidence

[madame in a world of fantasy 23 3 lastdodo](#) - Feb 10 2022

web madame in a world of fantasy 23 3 23 3 from 1996 buying selling or collecting manage your madame in a world of fantasy collection in the catalogue on lastdodo new to lastdodo

[india vs sri lanka cricket world cup 2023 preview prediction](#) - Apr 26 2023

web 1 day ago india beat england by 100 runs in their last fixture of the icc world cup 2023 the top fantasy player for india in that match was mohammed shami who scored 145 points

four reasons why world series winning rangers could be better - May 28 2023

web 10 hours ago the rangers have won thier first world series title in five games over the diamondbacks texas hadn t even had a winning season since 2016 making the 2023 world series title even sweeter

[2024 world series odds braves favorites to win it all could](#) - Jun 28 2023

web 8 hours ago coming off a 104 win campaign during the regular season the atlanta braves are the odds on favorites to win the world series in 2024 that s according to caesar s who not long after the texas

madame magazine for sale in uk 60 used madame magazines - Jul 30 2023

web madame magazine for sale in uk 60 used madame magazines madame magazine for sale on uk s largest auction and classifieds sites page updated 25 oct 2023 21 19 60 ads home art art photographs other ad format 1 fixed price budget ads on features illustrated 1 1 language english 1 french 1 publication frequency

madame in a world of fantasy etsy - Apr 14 2022

web check out our madame in a world of fantasy selection for the very best in unique or custom handmade pieces from our wall decor shops

madam in a world of fantasy 2023 helpdesk bricksave - Aug 31 2023

web larger occult world shares excerpts from crowley s unpublished diaries and details his travels in india burma and sri lanka from 1901 to 1906 reveals how crowley incorporated what he

jon rahm pulls out of tiger woods and rory mcilroy s tech - Mar 26 2023

web 10 hours ago jon rahm has officially pulled out of tgl the monday night simulator golf league started by tiger woods and rory mcilroy that is set to start in january the 2023 masters champion was one of the

madame in a world of fantasy vol 13 no 3 climax books - Dec 23 2022

web madame in a world of fantasy vol 13 no 3 regular price 30 00 gbp regular price sale price 30 00 gbp unit price per sale
sold out quantity decrease quantity for madame in a world of fantasy vol 13 no 3 increase

[five cult buys from climax books dazed](#) - Mar 14 2022

web five cult buys from climax books madame in a world of fantasy swish publications various courtesy of climax books share

how poor things production designers brought fantasy world - Feb 22 2023

web 18 hours ago how the poor things production designers turned yorgos lanthimos madcap macabre ecstatic vision into
an oscar frontrunner by christopher vourlias courtesy of atsushi nishijima

madam in a world of fantasy 2023 - Oct 01 2023

web we offer madam in a world of fantasy and numerous books collections from fictions to scientific research in any way
along with them is this madam in a world of fantasy that can be your partner

madame in a world of fantasy in appreciation of the - Jan 24 2023

web includes the ms candida column sisters of supremacy fiction by slave lawrence how i submitted to anna marie an
astronaut dominatrix sci fi madam of the month mistress mary photospread unusual initiation practices part 2 fiction by

peddie the tables turned part 4 fiction and the loan dilemma fiction by b j

madam in a world of fantasy 2022 beta atanet - Jul 18 2022

web madam in a world of fantasy 1 madam in a world of fantasy madam c j walker aleister crowley in india the works of ben
jonson madam s creek madam c j walker madam and eve memoirs of a madam episode 2 the british drama illustrated madam
ambassador infamous memoirs of a madam episode 1 new jersey madam dear

the way to save a 10 step blueprint for lifetime security - Jun 14 2023

web jul 22 2022 x 209 p 23 cm an icon used to represent a menu that can be toggled by interacting with this icon

[the way to save a 10 step blueprint for lifetime security wall](#) - Dec 08 2022

web the way to save a 10 step blueprint for lifetime security wall ginita amazon sg books

the way to save a 10 step blueprint for lifetime security by - Aug 04 2022

web helping a new generation of nonsavers get back on track ginita wall offers a hands on approach to achieving lifetime
financial security no matter how modest the income a disciplined approach to managing personal finances that first
recognizes t

the way to save a 10 step blueprint for lifetime download - Jun 02 2022

web the way to save a 10 step blueprint for lifetime is easy to use in our digital library an online admission to it is set as
public in view of that you can download it instantly our digital library saves in combination countries allowing you to acquire
the most less latency era to download any of our books in the same way as this one

the way to save a 10 step blueprint for lifetime security wall - Jan 09 2023

web the way to save a 10 step blueprint for lifetime security wall ginita amazon co uk books

the way to save a 10 step blueprint for lifetime security - Mar 11 2023

web mar 10 2015 part ii your ten step blueprint for financial security 3 step 1 take control of your finances 4 step 2 insure your future 5 step 3 save for specific goals 6 step 4 cut expenses and boost your income 7 step 5 control taxes 8 step 6 slash debt 9 step 7 save money on cars and housing 10 step 8

the way to save a 10 step blueprint for lifetime security by - May 01 2022

web may 18 2023 the way to save a 10 step blueprint for lifetime security by ginita wall how to repair and restore windows 10 laptop mag how to save a file 10 steps with pictures wikihow 10 ways to save 10k 10 step guide to save over 10 000 year how to take a full backup of windows 10 on an external best way to save money follow 7 steps to save

the way to save a 10 step blueprint for lifetime - Mar 31 2022

web the way to save ginita wall c p a c f p 2015 03 10 helping a new generation of nonsavers get back on track ginita wall offers a hands on approach to achieving lifetime financial security no matter how modest the income a disciplined approach to managing personal finances that first recognizes the need to overcome

the way to save a 10 step blueprint for lifetime security - Aug 16 2023

web jan 15 1994 the way to save a 10 step blueprint for lifetime security paperback january 15 1994 helping a new generation of nonsavers get back on track ginita wall offers a hands on approach to achieving lifetime

the way to save a 10 step blueprint for lifetime security wall - Nov 07 2022

web the way to save a 10 step blueprint for lifetime security wall ginita 9780805027051 books amazon ca

the way to save a 10 step blueprint for lifetime security goodreads - May 13 2023

web helping a new generation of nonsavers get back on track ginita wall offers a hands on approach to achieving lifetime financial security no matter how modest the income 224 pages paperback first published january 15 1994 9780805027051 *the way to save a 10 step blueprint for lifetime* - Sep 05 2022

web abebooks com the way to save a 10 step blueprint for lifetime security 9780805027051 by wall ginita and a great selection of similar new used and collectible books available now at great prices

10 step plan album by saintoversinner spotify - Jan 29 2022

web listen to 10 step plan on spotify saintoversinner album 2022 10 songs saintoversinner album 2022 10 songs listen to 10 step plan on spotify saintoversinner album 2022 10 songs saintoversinner album 2022 10 songs sign up log in home search your library create playlist liked songs

the way to save by ginita wall open library - Apr 12 2023

web jan 15 1994 the way to save a 10 step blueprint for lifetime security january 15 1994 owl books paperback in english
1st owl book ed edition

buy the way to save a 10 step blueprint for lifetime security - Jul 03 2022

web amazon in buy the way to save a 10 step blueprint for lifetime security book online at best prices in india on amazon in
read the way to save a 10 step blueprint for lifetime security book reviews author details and more at amazon in free delivery
on qualified orders

loading interface goodreads - Dec 28 2021

web discover and share books you love on goodreads

the way to save a 10 step blueprint for lifetime security - Jul 15 2023

web the way to save a 10 step blueprint for lifetime security ebook written by ginita wall c p a c f p read this book using
google play books app on your pc android ios devices download

the way to save a 10 step blueprint for lifetime security ebook - Oct 06 2022

web mar 10 2015 the way to save a 10 step blueprint for lifetime security ebook wall ginita c p a c f p amazon ca kindle
store

the way to save a 10 step blueprint for lifetime security - Feb 10 2023

web mar 10 2015 helping a new generation of nonsavers get back on track ginita wall offers a hands on approach to
achieving lifetime financial security no matter how modest the income a disciplined approach to managing personal finances
that first recognizes t

the habit blueprint 15 simple steps to transform your life the - Feb 27 2022

web bonus the habit blueprint workbook a complimentary resource you can use to easily put everything you learn into
immediate action the habit blueprint is the definite step by step guide to putting any habit into place and keep it there buy it
now to create lasting change without feeling overwhelmed and frustrated