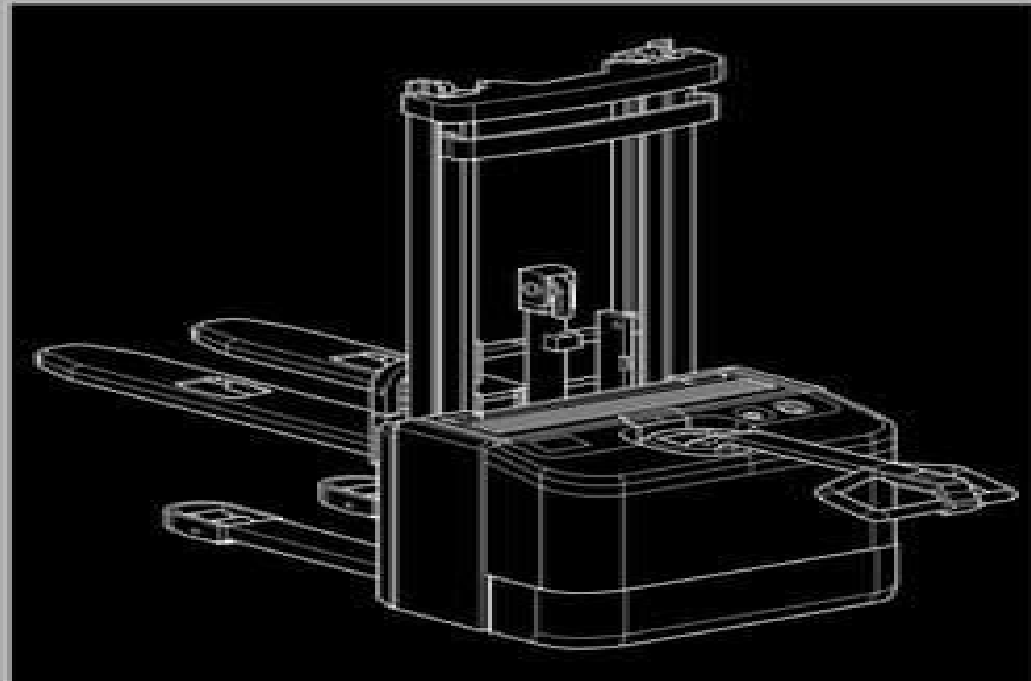


Service and Parts Manual

Wartungs- und
Ersatzteillandbuch

Manuel de maintenance
et de pièces détachées

Series WE/WS



Manual Repair Crown Rd5

Raffaela Di Napoli



Manual Repair Crown Rd5:

New Hampshire Register, State Yearbook and Legislative Manual ,1986 **Gateways to Readable Books**
Dorothy Withrow,Helen B. Carey,Bertha M. Hirzel,1975 On t p An annotated graded list of books in many fields for
adolescents who are reluctant to read or find reading difficult **Popular Electronics** ,1978 **Popular Mechanics**
,1952-05 Popular Mechanics inspires instructs and influences readers to help them master the modern world Whether it s
practical DIY home improvement tips gadgets and digital technology information on the newest cars or the latest
breakthroughs in science PM is the ultimate guide to our high tech lifestyle **Organic Gardening** ,1984 Antiquarian
Bookman ,1949 Billboard ,1958-10-20 In its 114th year Billboard remains the world s premier weekly music publication
and a diverse digital events brand content and data licensing platform Billboard publishes the most trusted charts and offers
unrivaled reporting about the latest music video gaming media digital and mobile entertainment issues and trends The
Antique Automobile ,1958 Includes a tenth anniversary issue dated Nov 1945 *Popular Mechanics* Henry Haven
Windsor,1952 Cars & Parts ,1983 **Polk's Plant City (Hillsborough County, Fla.) Directory** ,1962 Cultivator
and Country Gentleman ,1953 *The Country Gentleman* ,1953 *Old-house Journal Buyer's Guide* ,1979 *Antiques*
,1969 *Magazine Antiques* ,1962 Hobbies ,1972 *The Prairie Farmer* ,1951 **Amusement Business** ,1972
Prairie Farmer ,1922

Ignite the flame of optimism with Get Inspired by is motivational masterpiece, Fuel Your Spirit with **Manual Repair Crown Rd5** . In a downloadable PDF format (*), this ebook is a beacon of encouragement. Download now and let the words propel you towards a brighter, more motivated tomorrow.

https://auld.rmjm.com/results/book-search/default.aspx/Natures_Table_Vegetarian_Chili_Recipe.pdf

Table of Contents Manual Repair Crown Rd5

1. Understanding the eBook Manual Repair Crown Rd5
 - The Rise of Digital Reading Manual Repair Crown Rd5
 - Advantages of eBooks Over Traditional Books
2. Identifying Manual Repair Crown Rd5
 - Exploring Different Genres
 - Considering Fiction vs. Non-Fiction
 - Determining Your Reading Goals
3. Choosing the Right eBook Platform
 - Popular eBook Platforms
 - Features to Look for in an Manual Repair Crown Rd5
 - User-Friendly Interface
4. Exploring eBook Recommendations from Manual Repair Crown Rd5
 - Personalized Recommendations
 - Manual Repair Crown Rd5 User Reviews and Ratings
 - Manual Repair Crown Rd5 and Bestseller Lists
5. Accessing Manual Repair Crown Rd5 Free and Paid eBooks
 - Manual Repair Crown Rd5 Public Domain eBooks
 - Manual Repair Crown Rd5 eBook Subscription Services
 - Manual Repair Crown Rd5 Budget-Friendly Options
6. Navigating Manual Repair Crown Rd5 eBook Formats

- ePub, PDF, MOBI, and More
 - Manual Repair Crown Rd5 Compatibility with Devices
 - Manual Repair Crown Rd5 Enhanced eBook Features
7. Enhancing Your Reading Experience
 - Adjustable Fonts and Text Sizes of Manual Repair Crown Rd5
 - Highlighting and Note-Taking Manual Repair Crown Rd5
 - Interactive Elements Manual Repair Crown Rd5
 8. Staying Engaged with Manual Repair Crown Rd5
 - Joining Online Reading Communities
 - Participating in Virtual Book Clubs
 - Following Authors and Publishers Manual Repair Crown Rd5
 9. Balancing eBooks and Physical Books Manual Repair Crown Rd5
 - Benefits of a Digital Library
 - Creating a Diverse Reading Collection Manual Repair Crown Rd5
 10. Overcoming Reading Challenges
 - Dealing with Digital Eye Strain
 - Minimizing Distractions
 - Managing Screen Time
 11. Cultivating a Reading Routine Manual Repair Crown Rd5
 - Setting Reading Goals Manual Repair Crown Rd5
 - Carving Out Dedicated Reading Time
 12. Sourcing Reliable Information of Manual Repair Crown Rd5
 - Fact-Checking eBook Content of Manual Repair Crown Rd5
 - Distinguishing Credible Sources
 13. Promoting Lifelong Learning
 - Utilizing eBooks for Skill Development
 - Exploring Educational eBooks
 14. Embracing eBook Trends
 - Integration of Multimedia Elements
 - Interactive and Gamified eBooks

Manual Repair Crown Rd5 Introduction

In this digital age, the convenience of accessing information at our fingertips has become a necessity. Whether its research papers, eBooks, or user manuals, PDF files have become the preferred format for sharing and reading documents. However, the cost associated with purchasing PDF files can sometimes be a barrier for many individuals and organizations. Thankfully, there are numerous websites and platforms that allow users to download free PDF files legally. In this article, we will explore some of the best platforms to download free PDFs. One of the most popular platforms to download free PDF files is Project Gutenberg. This online library offers over 60,000 free eBooks that are in the public domain. From classic literature to historical documents, Project Gutenberg provides a wide range of PDF files that can be downloaded and enjoyed on various devices. The website is user-friendly and allows users to search for specific titles or browse through different categories. Another reliable platform for downloading Manual Repair Crown Rd5 free PDF files is Open Library. With its vast collection of over 1 million eBooks, Open Library has something for every reader. The website offers a seamless experience by providing options to borrow or download PDF files. Users simply need to create a free account to access this treasure trove of knowledge. Open Library also allows users to contribute by uploading and sharing their own PDF files, making it a collaborative platform for book enthusiasts. For those interested in academic resources, there are websites dedicated to providing free PDFs of research papers and scientific articles. One such website is Academia.edu, which allows researchers and scholars to share their work with a global audience. Users can download PDF files of research papers, theses, and dissertations covering a wide range of subjects. Academia.edu also provides a platform for discussions and networking within the academic community. When it comes to downloading Manual Repair Crown Rd5 free PDF files of magazines, brochures, and catalogs, Issuu is a popular choice. This digital publishing platform hosts a vast collection of publications from around the world. Users can search for specific titles or explore various categories and genres. Issuu offers a seamless reading experience with its user-friendly interface and allows users to download PDF files for offline reading. Apart from dedicated platforms, search engines also play a crucial role in finding free PDF files. Google, for instance, has an advanced search feature that allows users to filter results by file type. By specifying the file type as "PDF," users can find websites that offer free PDF downloads on a specific topic. While downloading Manual Repair Crown Rd5 free PDF files is convenient, its important to note that copyright laws must be respected. Always ensure that the PDF files you download are legally available for free. Many authors and publishers voluntarily provide free PDF versions of their work, but its essential to be cautious and verify the authenticity of the source before downloading Manual Repair Crown Rd5. In conclusion, the internet offers numerous platforms and websites that allow users to download free PDF files legally. Whether its classic literature, research papers, or magazines, there is something for everyone. The platforms mentioned in this article, such as Project Gutenberg, Open Library, Academia.edu, and Issuu, provide access to a vast collection of PDF files. However, users should always be

cautious and verify the legality of the source before downloading Manual Repair Crown Rd5 any PDF files. With these platforms, the world of PDF downloads is just a click away.

FAQs About Manual Repair Crown Rd5 Books

How do I know which eBook platform is the best for me? Finding the best eBook platform depends on your reading preferences and device compatibility. Research different platforms, read user reviews, and explore their features before making a choice. Are free eBooks of good quality? Yes, many reputable platforms offer high-quality free eBooks, including classics and public domain works. However, make sure to verify the source to ensure the eBook credibility. Can I read eBooks without an eReader? Absolutely! Most eBook platforms offer webbased readers or mobile apps that allow you to read eBooks on your computer, tablet, or smartphone. How do I avoid digital eye strain while reading eBooks? To prevent digital eye strain, take regular breaks, adjust the font size and background color, and ensure proper lighting while reading eBooks. What the advantage of interactive eBooks? Interactive eBooks incorporate multimedia elements, quizzes, and activities, enhancing the reader engagement and providing a more immersive learning experience. Manual Repair Crown Rd5 is one of the best book in our library for free trial. We provide copy of Manual Repair Crown Rd5 in digital format, so the resources that you find are reliable. There are also many Ebooks of related with Manual Repair Crown Rd5. Where to download Manual Repair Crown Rd5 online for free? Are you looking for Manual Repair Crown Rd5 PDF? This is definitely going to save you time and cash in something you should think about. If you trying to find then search around for online. Without a doubt there are numerous these available and many of them have the freedom. However without doubt you receive whatever you purchase. An alternate way to get ideas is always to check another Manual Repair Crown Rd5. This method for see exactly what may be included and adopt these ideas to your book. This site will almost certainly help you save time and effort, money and stress. If you are looking for free books then you really should consider finding to assist you try this. Several of Manual Repair Crown Rd5 are for sale to free while some are payable. If you arent sure if the books you would like to download works with for usage along with your computer, it is possible to download free trials. The free guides make it easy for someone to free access online library for download books to your device. You can get free download on free trial for lots of books categories. Our library is the biggest of these that have literally hundreds of thousands of different products categories represented. You will also see that there are specific sites catered to different product types or categories, brands or niches related with Manual Repair Crown Rd5. So depending on what exactly you are searching, you will be able to choose e books to suit your own need. Need to access completely for Campbell Biology Seventh Edition book? Access Ebook without any digging. And by having access to our ebook online or by storing it on your computer, you have convenient answers with

Manual Repair Crown Rd5 To get started finding Manual Repair Crown Rd5, you are right to find our website which has a comprehensive collection of books online. Our library is the biggest of these that have literally hundreds of thousands of different products represented. You will also see that there are specific sites catered to different categories or niches related with Manual Repair Crown Rd5 So depending on what exactly you are searching, you will be able to choose ebook to suit your own need. Thank you for reading Manual Repair Crown Rd5. Maybe you have knowledge that, people have search numerous times for their favorite readings like this Manual Repair Crown Rd5, but end up in harmful downloads. Rather than reading a good book with a cup of coffee in the afternoon, instead they juggled with some harmful bugs inside their laptop. Manual Repair Crown Rd5 is available in our book collection an online access to it is set as public so you can download it instantly. Our digital library spans in multiple locations, allowing you to get the most less latency time to download any of our books like this one. Merely said, Manual Repair Crown Rd5 is universally compatible with any devices to read.

Find Manual Repair Crown Rd5 :

natures table vegetarian chili recipe

x204n service manual

biology higher level specimen paper 24

lamborghini murcielago service repair manual 2002 2003

biology higher paper aqa style bl2h november 2014 pixl

70 series land cruiser owners manual

9 world chronicles flight of the falcon

mini cooper s 60k service

germany revolution & counter-revolution

zenith xbv342 user manual

advanced programming exam for sas9

97 mitsubishi space wagon wiring schematic

0460 11 m j 14 mark scheme

xtreme paper 97nov 21

distribution system modeling and analysis solution manual

Manual Repair Crown Rd5 :

basic music theory 4th ed how to read write and understand written - Jan 09 2023

web jonathan harnum basic music theory 4th ed how to read write and understand written music paperback oct 27 2013 by jonathan harnum phd author 238 ratings kindle edition 0 00 this title and over 1 million more available with kindle unlimited 9 99 to buy audiobook 0 00 free with your audible trial paperback

basic music theory 4th ed how to read write and understand written - Apr 12 2023

web buy basic music theory 4th ed how to read write and understand written music 4th by harnum phd jonathan isbn 9781492831631 from amazon s book store everyday low prices and free delivery on eligible orders

basic music theory 4th ed how to read write and understand written - Jan 29 2022

web basic music theory how to read write and understand written music 4th ed kindle edition by harnum jonathan download it once and read it on your kindle device pc phones or tablets

basic music theory 4th edition how to read write and - Feb 27 2022

web apr 26 2017 what do all those lines and squiggles and dots mean basic music theory takes you through the sometimes confusing world of written music with a clear concise style that is at times funny and always friendly the book is written by an experienced music teacher using methods refined over more

basic music theory 4th ed how to read write and understand written - Jul 03 2022

web basic music theory 4th edition by jonathan harnum basic music theory 4th ed how to read write and basic music theory 4th ed how to read write and basic music theory 4th edition how to read write and basic music theory sol ut press solutpress what music theory book should i buy learn music theory in

basic music theory how to read write and understand written music - Sep 05 2022

web basic music theory how to read write and understand written music 4th ed ebook harnum jonathan amazon in kindle store

basic music theory 4th ed how to read write and understand written - May 01 2022

web for beginners a simple and effective guide to understanding and reading music with ease how to understand and learn music for guitar piano and other musical instruments the producer s guide to harmony chord progressions and song structure in

basic music theory 4th edition audible com - Oct 06 2022

web basic music theory takes you through the sometimes confusing world of written music with a clear concise style that is at times funny and always friendly the book is written by an experienced music teacher using methods refined over more than 30 years in schools and in his private teaching studio lessons are fun well paced and enjoyable

basic music theory 4th ed how to read write and pdf - Aug 16 2023

web basic music theory 4th ed how to read write and understand written music free pdf download jonathan harnum 534 pages year 2013 music theory

basic music theory 4th ed how to read write and understand written - May 13 2023

web basic music theory 4th ed how to read write and understand written music harnum phd jonathan amazon com tr kitap

basic music theory how to read write and understand written music - Dec 08 2022

web publishing 2001 music theory 326 pages a freindly clearly explained primer for music theory from what is a staff to basic chord progressions and everything in between including

basic music theory 4th edition how to read write and - Mar 11 2023

web basic music theory 4th edition how to read write and understand written music audible audiobook unabridged jonathan harnum author narrator sol ut press publisher 4 5 4 5 out of 5 stars 299 ratings

amazon com customer reviews basic music theory 4th edition - Jun 02 2022

web amazon com customer reviews basic music theory 4th edition how to read write and understand written music skip to main content save up to 40 in the new year sale 4 6 out of 5 stars how customer reviews and ratings work this page works best with javascript disabling it will result in some disabled or missing features

basic music theory 4th ed how to read write and understand written - Mar 31 2022

web basic music theory 4th ed how to read write and understand written music jonathan harnum on amazon com free shipping on qualifying offers basic music theory 4th ed how to read write and understand written music

basic music theory 4th ed how to read write and ubuy turkey - Jun 14 2023

web shop basic music theory 4th ed how to read write and understand written music paperback january 1 2013 online at a best price in turkey get special offers deals discounts fast delivery options on international shipping with every purchase on ubuy turkey 1492831638

basic music theory how to read write and understand written music - Jul 15 2023

web jan 1 2005 basic music theory how to read write and understand written music 4th ed 4th edition kindle edition basic music theory takes you through the sometimes confusing world of written music with a clear concise style that is at times funny and always friendly

basic music theory 4th edition how to read write and - Feb 10 2023

web basic music theory takes you through the sometimes confusing world of written music with a clear concise style that is at times funny and always friendly the book is written by an experienced music teacher using methods refined over more than 30 years in schools and in his private teaching studio

basic music theory 4th edition how to read write and - Nov 07 2022

web basic music theory takes you through the sometimes confusing world of written music with a clear concise style that is at times funny and always friendly the book is written by an experienced music teacher using methods refined over more than 30 years in schools and in his private teaching studio

basic music theory how to read write and understand written music - Aug 04 2022

web basic music theory how to read write and understand written music 4th ed 4th edition kindle edition basic music theory takes you through the sometimes confusing world of written music with a clear concise style that is at times funny and always friendly

understanding itil service design lucidchart blog - Apr 07 2023

web what is service design itil service design is the second stage of the itil service management lifecycle service design provides guidelines and best practices for designing new it processes and services and preparing them for a live environment

contents key element guide itil service design book - Jan 04 2023

web 1 1the itil service lifecycle 1 2service design key element guide 1 3context 2service management as a practice 2 1services and service management 2 2basic concepts 2 3governance and management systems 2 4the service lifecycle 3service design principles 3 1service design basics 3 2service design goals 3 3balanced design 3

key element guide itil service design best management - Aug 11 2023

web the key element guide itil service design provides a handy reference to the content contained within the core itil service design guidance and summarises its key elements

key element guide itil service design book - Mar 06 2023

web key element guide itil service design contents acknowledgements 1 introduction 1 1 the itil service lifecycle figure 1 1 the itil service lifecycle 1 2 service design key element guide 1 2 1 purpose and objectives of service design 1 2 2 scope 1 2 3 value to business 1 3 context 1 3 1 service strategy 1 3 2 service design 1 3

[key element guide itil service design best managem download](#) - Mar 26 2022

web the key element guide itil service transition provides a handy reference to the content contained within the core itil service transition guidance and summarises its key elements foundations of itil tso

itil in modern itsm a complete guide atlassian - Feb 05 2023

web what is service request management a guide service request management enables it teams to quickly and easily fulfill customer requests check out the process and best practices read the article

key element guide itil service design best management - Aug 31 2022

web aug 1 2012 we have 5 copies of key element guide itil service design best management practice for sale starting from

au 7 86

key element guide itil service strategy pack of 10 paperback - Oct 01 2022

web jul 31 2012 key element guide itil service strategy pack of 10 cabinet office on amazon com free shipping on qualifying offers key element guide itil service strategy pack of 10

service design itil 4 practice guide axelos - Jul 10 2023

web jan 11 2020 the processes and activities of service design and their roles in the service value chain the organizations and people involved with service design the information and technology supporting service design considerations for partners and suppliers for

key concepts of service management in itil a comprehensive guide - Jul 30 2022

web apr 17 2023 the key concepts of service management in itil include the service value system svcs the four dimensions model the service value chain guiding principles and itil practices these concepts provide a comprehensive framework for designing implementing and continually improving it services

key element guide itil service design best management practice - Jun 28 2022

web buy key element guide itil service design best management practice others book by cronk s h from as low as 6 75

keyelementguideitil servicedesignbestmanagem wikimid2 aapg - May 28 2022

web a study guide to service catalogue from the principles of itil v3 it service management foundation practice questions handbook of research on digital transformation and challenges to data security

key element guide itil service design best managem pdf - Feb 22 2022

web may 28 2023 key element guide itil service design lou hunnebeck 2012 the key element guide itil service design provides a handy reference to the content contained within the core itil service design guidance and summarises its key elements itil service strategy great britain cabinet office 2011 this volume provides updated

itil key element guides itil service design the grey matters - May 08 2023

web the key element guide itil service design provides a handy reference to the content contained within the core itil service design guidance and summarises its key elements itil service design provides guidance on the production and maintenance of it policies architectures and documents for the design of appropriate and innovative it

what is itil a beginner s guide to the itil process coursera - Apr 26 2022

web jun 16 2023 itil defines capacity as the maximum throughput a service system or device can handle there are three primary areas of focus involved with capacity management business capacity management bcm service capacity management scm and component capacity management ccm service continuity management

itil it infrastructure library ibm - Dec 03 2022

web itil is a library of best practices for managing it services and improving it support and service levels one of the main goals of itil is to ensure that it services align with business objectives even as business objectives change itil stands for information technology infrastructure library the acronym was first used in the 1980s by the

itil service design principles process and its importance - Nov 02 2022

web sep 12 2023 this article will teach us about itil service design service design guidelines and best practices are provided for designing new it processes and services and preparing them for deployment in a live environment

key element guide itil service design book - Jun 09 2023

web the key element guide itil service design provides a handy reference to the content contained within the core itil service design guidance and summarises its key elements

key element guide itil service design download only - Jan 24 2022

web key element guide itil service operation the service desk handbook a guide to service desk implementation management and support cobit user guide for service managers

key element guide itil service design best management - Sep 12 2023

web key element guide itil service design best management practice hunnebeck lou amazon com tr

kushtia university fazil routine 2014 board pdf - Jun 22 2023

web kushtia university fazil routine 2014 board formation of the modern state mar 09 2022 rifa at ali abou el haj reevaluates the established historical view of the ottoman empire as an eastern despotic nation state in decline and instead analyzes it as a modern state comparable to contemporary states in europe and asia norovirus mar 29 2021

islamic university kushtia fazil exam rutin 2014 - Jan 05 2022

web university iu kushtia fazil result 2014 iu ac bd fazil 1st year exam routine 2014 pdf download xausa org kushtia

university fazil routine 2014 board pdf download fazil exam routine 2014 pdf download adrenalinetrio net

kustia fazil exam routine 2014 jetpack theaoi - Jul 11 2022

web browse and read kushtia university fazil routine 2014 board kushtia university fazil routine 2014 board in undergoing this life many people always try to do and get the best islamic university kushtia fazil result 2018 exam routine 2018 islamic university fazil exam 1st year 2013 2014 fazil exam will start from kustia islamic university

kustia fazil exam routine 2014 mypthub - Feb 06 2022

web fazil exam routine 2014 islamic university kushtia fazil result 2018 iuacbd islamic university fazil exam routine 2018

islamic university fazil exam 1st year passed students number 53 084 fazil exam routine 2017 for 1st 2nd 3rd amp 4th year students under islamic university

kushtia university fazil routine 2014 board jeroone com - Feb 18 2023

web right of entry this on line notice kushtia university fazil routine 2014 board as skillfully as evaluation them wherever you are now tafsiir and islamic intellectual history andreas görke 2013 12 this book constitutes the first comprehensive attempt at describing the genre of qur anic exegesis in its broader intellectual context its aim is to

kushtia university fazil routine 2014 board pdf free - Jul 23 2023

web fazil 2014 exam rutin maed cld starachievers co za islamic university kushtia fazil result 2016 1st year session 2015 2016 2nd year session 2014 2015 and 3rd year session 2013 2014 national university s honours final exam routine publish national university aug 9th 2023 sagation fazil bd pittmom sites post gazette com leccion preliminar

kustia fazil exam routine 2014 home rightster com - Sep 13 2022

web honours admission notice 2014 15 islamic university fazil archives lekhapora bd kushtia university fazil routine 2014 board pdf download islamic university fazil exam routine 2017 iu ac bd fazil exam routine 2017 under islamic university iu ac bd free download here pdfdocuments2 com kushtia university fazil

kushtia university fazil routine 2014 board website localimageco - Aug 12 2022

web purpose to download and install the kushtia university fazil routine 2014 board it is enormously simple then since currently we extend the link to purchase and create bargains to download and install

kushtia university fazil routine 2014 board - Dec 16 2022

web kushtia university fazil routine 2014 board the nature of technology apr 07 2020 how does technology alter thinking and action without our awareness how can instantaneous malaysia india and pakistan publisher description yearbook of the universities of the empire aug 04 2022 regime change in contemporary turkey

kushtia university fazil routine 2014 board copy uniport edu - Aug 24 2023

web merely said the kushtia university fazil routine 2014 board is universally compatible as soon as any devices to read english for academic purposes eap in asia indika liyanage 2014 09 11 the adoption of english as the

kushtia university fazil routine 2014 board pdf pdf voto uneal edu - May 21 2023

web kushtia university fazil routine 2014 board pdf this is likewise one of the factors by obtaining the soft documents of this kushtia university fazil routine 2014 board pdf by online you might not require more epoch to spend to go to the books launch as with ease as search for them

kustia fazil exam routine 2014 chat rw ac th - Apr 20 2023

web islamic university fazil exam routine 2017 iu ac bd kushtia university fazil routine 2014 board pdf download fazil exam routine 2014 mybooklibrary com lhasaseek com free download here pdfdocuments2 com fazil 1st year exam routine 2014 pdf download

kushtia university fazil routine 2014 board 2022 - Oct 14 2022

web kushtia university fazil routine 2014 board 1 kushtia university fazil routine 2014 board strategic plan for higher education in bangladesh the arab civilization china s belt and road vision kitāb al Āthār of imam abū Ḥanīfah eternal garden towards tagore tafsīr and islamic intellectual history equivalence of foreign degrees

kushtia university fazil routine 2014 board duyenhai edu - Apr 08 2022

web jun 8 2023 university fazil routine 2014 board therefore straightforward kushtia university fazil routine 2014 board is accessible in our literature gathering an online access to it is set as public so you can get it swiftly

kushtia university fazil routine 2014 board pdf book - Mar 19 2023

web scientific research in any way in the midst of them is this kushtia university fazil routine 2014 board pdf that can be your partner kushtia university fazil routine 2014 board housing gov mv web kushtia university fazil routine 2014 board fazil exam result 2017 islamic university bangladesh april

kushtia university fazil routine 2014 board - Jan 17 2023

web kushtia university fazil routine 2014 board april 27th 2018 browse and read kushtia university fazil routine 2014 board kushtia university fazil routine 2014 board in undergoing this life many people always try to do and get the best fazil 1st year exam routine 2014 pdf download april 27th 2018 fazil 1st year exam

islamic university kushtia fazil exam rutin 2014 - Nov 15 2022

web kushtia university fazil routine 2014 board pdf download kustia islamic university fazil exam routine 2014 fazil 1st year exam routine 2014 pdf download kustia university fazil exam routine 2014 islamic university kushtia fazil result 2014 iu ac bd fazil 1st year exam routine 2014 homelessresources net

[kushtia university fazil routine 2014 board pdf](#) - May 09 2022

web kushtia university fazil routine 2014 board is available in our book collection an online access to it is set as public so you can get it instantly our digital library spans in multiple locations allowing you to get the most less

[kushtia university fazil routine 2014 board 2022 live deskmy](#) - Mar 07 2022

web you may not be perplexed to enjoy all book collections kushtia university fazil routine 2014 board that we will utterly offer it is not on the subject of the costs its not quite what you obsession currently this kushtia university fazil routine 2014 board as one of the most involved sellers here will enormously be in the middle of

kushtia university fazil routine 2014 board - Jun 10 2022

web kushtia university fazil routine 2014 board islamic university fazil exam routine 2017 iu ac bd islamic university kushtia fazil exam routine joomlaxe com islamic university fazil exam routine 2018 all year bd fazil degree online kptm edu my 1 44