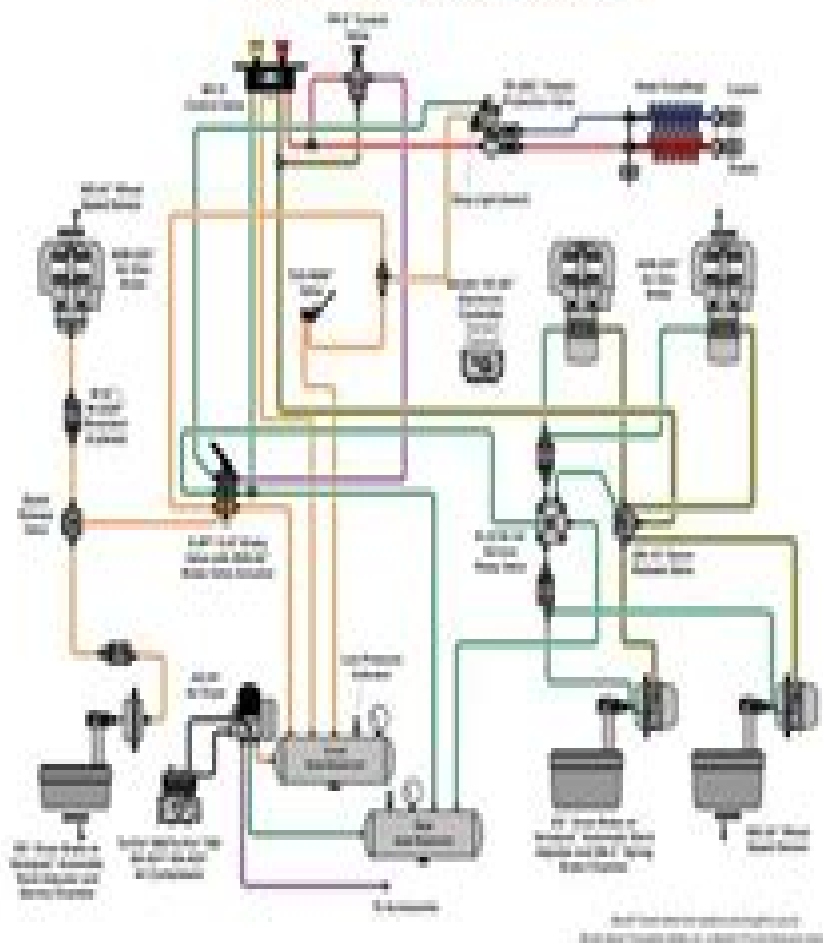


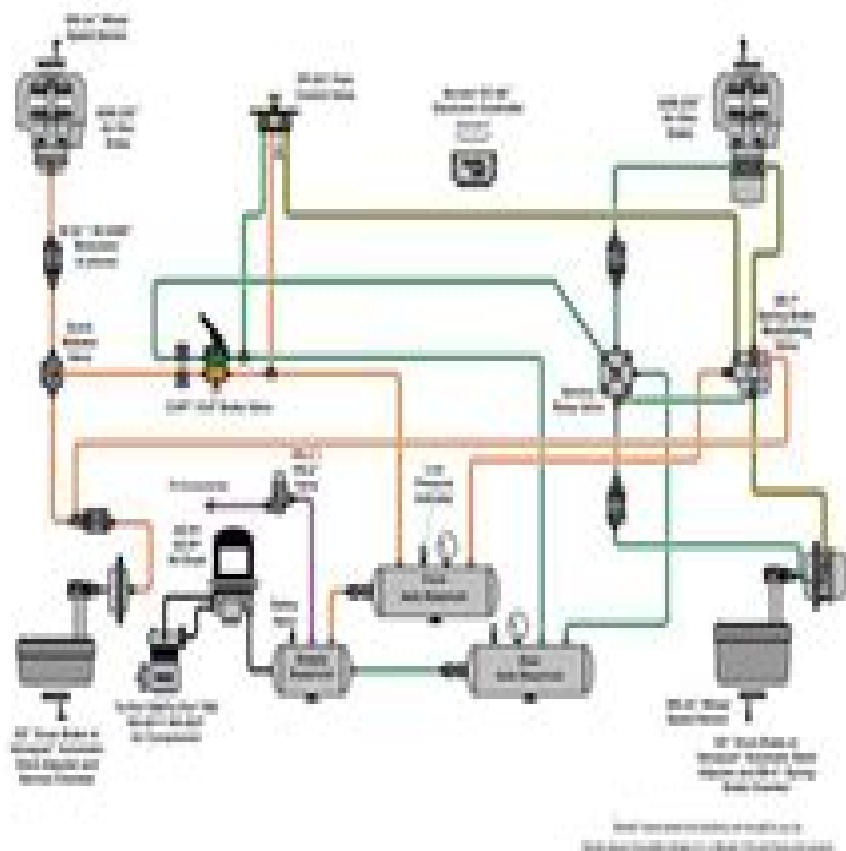


Air Brake System Troubleshooting

Typical Tractor System Schematic with Bendix Components



Typical Truck System Schematic with Bendix Components



TRUCKS AND TRUCK TRACTORS

Charging	Primary	Secondary	Push (Brake)	Pulling (Control)	Retention

NOTE:
 The color coding of the lines shown represents standard "SAE" Recommended Practices used for the U.S. and Canada market. Variations in a single line are shown for general guidance only.
 *Excludes all "constant brake" and "retention" brake systems.
 †Excludes all "constant brake" and "retention" brake systems.

Bosch Air Braking System Manual

Christian Drosten



Bosch Air Braking System Manual:

The Professional LGV Driver's Handbook David Lowe,2008-11-03 From 2009 all LGV drivers will need to acquire the new EU driver CPC in addition to a LGV driver licence This book is the ultimate LGV training manual for any professional driver or transport manager as it covers all areas a driver will need to know and understand in order to gain the licences necessary to drive a LGV vehicle Not only does the book deliver the essential information to ensure drivers gain these licences but it also provides a complete guide to driving safely professionally and legally Including information on driving skills health and safety law how to deal with paperwork use of tachographs and driving abroad *The Professional LGV Driver s Handbook* is the ultimate resource for anyone training to drive a LGV vehicle as well as being an indispensable reference for experienced drivers and managers

The Official DSA Guide to Driving Buses and Coaches Driving Standards Agency (Great Britain),2008 Supersedes 7th edition 2005 ISBN 9780115526572 Superseded by 2016 ed ISBN 9780115534379 **The Official DSA Guide to Driving Goods Vehicles** Driving Standards Agency (Great Britain),2007 This Driving Standards Agency publication contains guidance on the official syllabus and practical test requirements for driving a large goods vehicle LGV as well as on driving techniques for different vehicles and conditions load restraint EC and UK legal requirements working time and tachograph regulations freight transport organisation dealing with emergencies new safety checks and minimum test vehicle requirements This new edition includes information to help prepare for the extended theory and practical tests that link to the introduction of the Driver Certificate of Professional Competence CPC in September 2009 It supersedes the 7th edition 2005 ISBN 9780115526565 **Shop Manual** ,2000 *BMW Buyer's Guide* Fred Larimer,2002

VW Golf & Jetta Automotive Repair Manual ,1997 Total Car Care is the most complete step by step automotive repair manual you ll ever use All repair procedures are supported by detailed specifications exploded views and photographs From the simplest repair procedure to the most complex trust Chilton s Total Car Care to give you everything you need to do the job Save time and money by doing it yourself with the confidence only a Chilton Repair Manual can provide *Monthly Catalogue, United States Public Documents* ,1983 *Monthly Catalog of United States Government Publications* United States. Superintendent of Documents,1983 February issue includes Appendix entitled Directory of United States Government periodicals and subscription publications September issue includes List of depository libraries June and December issues include semiannual index **Volvo 240 Service Manual 1983 Through 1993** Bentley Publishers,1993 Vehicle Maintenance **Automotive Brake Systems** Richard K. DuPuy,2000 **Tramway and Railway World** ,1952

Forthcoming Books Rose Army,1996-06 *The Complete Guide to Motorcycle Repair and Maintenance* Neil Schultz,1977 **Motor Industry Management** ,2001-02 **South African Transport** ,1980 **Shop Manual** Chek Chart,1996-06-30 **Control Industry Guide and Digest** ,1964 **Chilton's Diesel Engine Service Manual, 1984** John H. Weise,1984 **Chilton's Auto Repair Manual 1989-1993** ,1992-10 Documents specifications repairs and

servicing procedures for individual models and provides information on component repair and overhaul
Industrial Buying Guide ,2005

Regional

Fuel your quest for knowledge with Learn from is thought-provoking masterpiece, **Bosch Air Braking System Manual** . This educational ebook, conveniently sized in PDF (Download in PDF: *), is a gateway to personal growth and intellectual stimulation. Immerse yourself in the enriching content curated to cater to every eager mind. Download now and embark on a learning journey that promises to expand your horizons. .

https://auld.rmjm.com/data/uploaded-files/fetch.php/0m_460_La_Repair_Manual_106422.pdf

Table of Contents Bosch Air Braking System Manual

1. Understanding the eBook Bosch Air Braking System Manual
 - The Rise of Digital Reading Bosch Air Braking System Manual
 - Advantages of eBooks Over Traditional Books
2. Identifying Bosch Air Braking System Manual
 - Exploring Different Genres
 - Considering Fiction vs. Non-Fiction
 - Determining Your Reading Goals
3. Choosing the Right eBook Platform
 - Popular eBook Platforms
 - Features to Look for in an Bosch Air Braking System Manual
 - User-Friendly Interface
4. Exploring eBook Recommendations from Bosch Air Braking System Manual
 - Personalized Recommendations
 - Bosch Air Braking System Manual User Reviews and Ratings
 - Bosch Air Braking System Manual and Bestseller Lists
5. Accessing Bosch Air Braking System Manual Free and Paid eBooks
 - Bosch Air Braking System Manual Public Domain eBooks
 - Bosch Air Braking System Manual eBook Subscription Services
 - Bosch Air Braking System Manual Budget-Friendly Options

6. Navigating Bosch Air Braking System Manual eBook Formats
 - ePub, PDF, MOBI, and More
 - Bosch Air Braking System Manual Compatibility with Devices
 - Bosch Air Braking System Manual Enhanced eBook Features
7. Enhancing Your Reading Experience
 - Adjustable Fonts and Text Sizes of Bosch Air Braking System Manual
 - Highlighting and Note-Taking Bosch Air Braking System Manual
 - Interactive Elements Bosch Air Braking System Manual
8. Staying Engaged with Bosch Air Braking System Manual
 - Joining Online Reading Communities
 - Participating in Virtual Book Clubs
 - Following Authors and Publishers Bosch Air Braking System Manual
9. Balancing eBooks and Physical Books Bosch Air Braking System Manual
 - Benefits of a Digital Library
 - Creating a Diverse Reading Collection Bosch Air Braking System Manual
10. Overcoming Reading Challenges
 - Dealing with Digital Eye Strain
 - Minimizing Distractions
 - Managing Screen Time
11. Cultivating a Reading Routine Bosch Air Braking System Manual
 - Setting Reading Goals Bosch Air Braking System Manual
 - Carving Out Dedicated Reading Time
12. Sourcing Reliable Information of Bosch Air Braking System Manual
 - Fact-Checking eBook Content of Bosch Air Braking System Manual
 - Distinguishing Credible Sources
13. Promoting Lifelong Learning
 - Utilizing eBooks for Skill Development
 - Exploring Educational eBooks
14. Embracing eBook Trends
 - Integration of Multimedia Elements

- Interactive and Gamified eBooks

Bosch Air Braking System Manual Introduction

In the digital age, access to information has become easier than ever before. The ability to download Bosch Air Braking System Manual has revolutionized the way we consume written content. Whether you are a student looking for course material, an avid reader searching for your next favorite book, or a professional seeking research papers, the option to download Bosch Air Braking System Manual has opened up a world of possibilities. Downloading Bosch Air Braking System Manual provides numerous advantages over physical copies of books and documents. Firstly, it is incredibly convenient. Gone are the days of carrying around heavy textbooks or bulky folders filled with papers. With the click of a button, you can gain immediate access to valuable resources on any device. This convenience allows for efficient studying, researching, and reading on the go. Moreover, the cost-effective nature of downloading Bosch Air Braking System Manual has democratized knowledge. Traditional books and academic journals can be expensive, making it difficult for individuals with limited financial resources to access information. By offering free PDF downloads, publishers and authors are enabling a wider audience to benefit from their work. This inclusivity promotes equal opportunities for learning and personal growth. There are numerous websites and platforms where individuals can download Bosch Air Braking System Manual. These websites range from academic databases offering research papers and journals to online libraries with an expansive collection of books from various genres. Many authors and publishers also upload their work to specific websites, granting readers access to their content without any charge. These platforms not only provide access to existing literature but also serve as an excellent platform for undiscovered authors to share their work with the world. However, it is essential to be cautious while downloading Bosch Air Braking System Manual. Some websites may offer pirated or illegally obtained copies of copyrighted material. Engaging in such activities not only violates copyright laws but also undermines the efforts of authors, publishers, and researchers. To ensure ethical downloading, it is advisable to utilize reputable websites that prioritize the legal distribution of content. When downloading Bosch Air Braking System Manual, users should also consider the potential security risks associated with online platforms. Malicious actors may exploit vulnerabilities in unprotected websites to distribute malware or steal personal information. To protect themselves, individuals should ensure their devices have reliable antivirus software installed and validate the legitimacy of the websites they are downloading from. In conclusion, the ability to download Bosch Air Braking System Manual has transformed the way we access information. With the convenience, cost-effectiveness, and accessibility it offers, free PDF downloads have become a popular choice for students, researchers, and book lovers worldwide. However, it is crucial to engage in ethical downloading practices and prioritize personal security when utilizing online platforms. By doing so, individuals can make the most of the vast array of free PDF resources available

and embark on a journey of continuous learning and intellectual growth.

FAQs About Bosch Air Braking System Manual Books

How do I know which eBook platform is the best for me? Finding the best eBook platform depends on your reading preferences and device compatibility. Research different platforms, read user reviews, and explore their features before making a choice. Are free eBooks of good quality? Yes, many reputable platforms offer high-quality free eBooks, including classics and public domain works. However, make sure to verify the source to ensure the eBook credibility. Can I read eBooks without an eReader? Absolutely! Most eBook platforms offer web-based readers or mobile apps that allow you to read eBooks on your computer, tablet, or smartphone. How do I avoid digital eye strain while reading eBooks? To prevent digital eye strain, take regular breaks, adjust the font size and background color, and ensure proper lighting while reading eBooks. What the advantage of interactive eBooks? Interactive eBooks incorporate multimedia elements, quizzes, and activities, enhancing the reader engagement and providing a more immersive learning experience. Bosch Air Braking System Manual is one of the best book in our library for free trial. We provide copy of Bosch Air Braking System Manual in digital format, so the resources that you find are reliable. There are also many Ebooks of related with Bosch Air Braking System Manual. Where to download Bosch Air Braking System Manual online for free? Are you looking for Bosch Air Braking System Manual PDF? This is definitely going to save you time and cash in something you should think about.

Find Bosch Air Braking System Manual :

0m 460 la repair manual 106422

pc training college 2016 application form

network plus certification study guide

1994 jeep grand cherokee parts manual

a family affair english edition

les crapauds de lucie

user manual tablet pc model s707

be holy find identity find belonging find purpose

improvement of quality traits of maize for grain and silage use

iteration theory and its functional equations lecture notes in mathematics volume 1163

[quizlet 36 guide answers](#)

journey back to eternity the story of creation

[aban offshore limited iran map road](#)

~~[larchitecture considarae sous le rapport de lart des moeurs et de la legislation](#)~~

19 3 guided reading popular culture answers

Bosch Air Braking System Manual :

the 40 best kids christmas songs love to sing - Jan 15 2022

web 9 s a n t a this version via super simple songs a fun twist on the traditional song b i n g o 10 little snowflake this version via super simple songs a repetitive song

[our favorite christmas songs for kids super simple songs](#) - Jul 01 2023

want a copy of the coordinating adult christmas songbook head over and grab the christmas sing along songbook free printable too the page numbers line up with both songbooks see more

[christmas songs for kids free printable songbook a mom s](#) - Oct 04 2023

the christmas songs for kids songbook includes these 12 classic christmas songs 1 away in a manger 2 feliz navidad 3 frosty the snowman 4 here comes santa claus 5 i saw mommy kissing santa claus 6 jingle bells 7 jolly old saint nicholas 8 let it snow 9 rudolph the red nosed see more

[50 best kids songs the whole family will love in 2023 country](#) - Sep 10 2021

web nov 1 2022 we ve rounded up some of the best christmas music for kids with fun facts and handy youtube videos that will have you singing along in no time tis the season of

[25 best christmas songs for kids of all time music grotto](#) - Mar 17 2022

web oct 17 2023 from o christmas tree to santa shark yes you read that correctly here are 45 of the best christmas songs for kids organized into these categories best

the best simple book of christmas songs for kids paperback - Sep 22 2022

web sep 14 2023 50 best christmas songs for kids get the kids ready for santa with these fun filled christmas songs perfect for the whole family by fiona tapp updated on

christmas piano songs for kids 30 fun easy christmas - Aug 22 2022

web the best simple book of christmas songs for kids grand robert b amazon in books skip to main content in hello select your address books select the department

12 best christmas song books for kids joyfully - Sep 03 2023

here s a short snippet of the song lyrics included to conserve space here we ve just included the 1st verses of the christmas lyrics here while the expanded version of the song see more

21 best jolly christmas songs for kids to sing along splashlearn - Dec 14 2021

web sep 7 2021 5 mince pies christmas kids action song lyrics animations perfect for shows jingle bells christmas dance with easy dance moves christmas dance

christmas songs interactive children s sound book 10 button - Dec 26 2022

web the best simple book of christmas songs for kids grand robert b amazon com au books skip to main content com au delivering to sydney 1171 sign in to update

[best easy christmas songs for kids with lyrics](#) - Jul 21 2022

web nov 27 2021 christmas piano songs for kids 30 fun easy christmas songs to play on piano easy piano sheet music for kids with labeled notes free audio

the best simple book of christmas songs for kids - May 31 2023

with that all you need left is the printable just click on the link below to download or save our kids christmas sing along songbook i hope it brings you as many fun times and fond memories as it has for our family each see more

[the best simple book of christmas songs for kids paperback](#) - Jan 27 2023

web jul 11 2020 holly jolly santa songs children s christmas book with fun and festive sounds for kids 2 5 early bird song book board book july 11 2020

30 best christmas songs for kids to add to your playlist time out - Mar 29 2023

web dec 22 2017 amazon com the best simple book of christmas songs for kids 9781981857104 grand robert b books

25 merry bright christmas songs for kids with lyrics - Aug 02 2023

1 start by downloading the christmas songs for kids songbook using the link below 2 print out your booklet see the printer helps i recommend using one piece of cardstock for see more

christmas music for kids 32 of the best carols and festive - Oct 12 2021

web top 10 easy christmas songs for preschoolers whether you are a parent searching for christmas music or a teacher preparing a christmas party this list of easy christmas

50 best christmas songs for kids parents - Oct 24 2022

web dec 22 2022 super simple songs kids songs 7 months ago get the super simple app bit ly 2w4disyenjoy singing along to some festive songs of the season in

14 christmas music books for kids playing musical instruments - Jun 19 2022

web celebrate the magic of christmas with songs your kids will adore check out our top 33 easy tunes that are sure to

become holiday favorites in your household

the 45 best christmas songs for kids purewow - Apr 17 2022

web dec 5 2016 best of all all you need are your voices to have a good time best christmas songs for kids for young kids the best christmas songs are those with easy to

100 greatest christmas songs ever holiday music 2023 apple - Aug 10 2021

web oct 23 2023 jack black peaches directed by cole bennett the super mario bros movie watch on the only song with lyrics from 2023 s the super mario bros movie

easy christmas songs for kids i see me - May 19 2022

web alfred s kid s ukulele course christmas songbook 1 2 authored by ron manus and l c harnsberger alfred s kid s ukulele course christmas songbook 1 2 is designed to

10 fun christmas songs for toddlers preschoolers - Feb 13 2022

web apr 4 2023 these 25 best christmas songs for kids include 1 carol of the bells lindsey stirling carol of the bells official music video russian composer nikolai

105 best christmas riddles and brain teaser with answers 2023 - Jul 09 2021

web 2 31 i believe in father christmas emerson lake palmer 3 19 stop the cavalry jona lewie 2 56 wonderful christmastime edited version remastered 2011 edited

top 10 easy christmas songs for preschoolers singing bell - Nov 12 2021

web aug 23 2023 1 rudolf the red nosed reindeer 2 frosty the snowman 3 christmas time is here 4 i wish it could be christmas everyday 5 it s beginning to look a lot like

holly jolly santa songs children s christmas book with fun and - Feb 25 2023

web nov 3 2022 that s why we ve gone out and given you an early present by compiling the 30 best christmas songs kids and parents can listen to all december long

the best simple book of christmas songs for kids paperback - Apr 29 2023

web dec 11 2017 get the super simple app bit ly thesupersimpleapp here is a collection of our favorite christmas kids songs including jingle bells s a n t a

super simple christmas songs kids music family holiday carols - Nov 24 2022

web sep 1 2016 amazon com christmas songs interactive children s sound book add a gift receipt for easy returns buy used 10 47 get fast free shipping with amazon

introduction to deivathin kural sage of kanchi - Dec 30 2022

web feb 23 2012 24fr ganapathy in his last letter to g vaidyanathan secretary sankara bhakta jana sabha ra ganapathi

prolific writer and compiler of deivathin kural has

[deivathin kural videos youtube](#) - Mar 21 2022

web jun 5 2021 a masterpiece explaining the intricacies of sanatana dharma it is based on vol 1 7 of deivathin kural by pujiyasri chandrasekharendra saraswati

deivathin kural youtube - Feb 17 2022

deivathin kural corrected version sage of kanchi - Nov 28 2022

web jan 20 2023 bhagavad gita brahma sutra 108 upanishads vedas vedic hymns stotras of adi sankara gospel of sri ramakrishna gospel of holy mother complete

[voice of god deivathin kural vedanta spiritual library](#) - Aug 26 2022

web dec 8 2014 all 7 volumes of deivathin kural need been translated down english and some other indians languages they can purchase the my here

deivattin kural audios in tamil and english kanchi kamakoti - May 03 2023

web deivathin kural is a set of seven publications featuring the discourses discussions anecdotes and more of maha periyava compiled by author ra ganapathy maha

dheivathin kural digital version english tamil sage of kanchi - Apr 02 2023

web jan 25 2021 deivathin kural is a massive compilation of information relating to our traditions scriptures literature linguistics history and a host of other topics the

deivathin kural tamil all volumes available in pdf - Sep 07 2023

web welcome to our website this site reflects our efforts to provide meaningful information about the seven volumes of deivathin kural compiled from the discourses and discussions

[deivathin kural home](#) - Aug 06 2023

web jul 25 2022 deivathin kural a devotional show celebrating the life and teachings of kanchi mahaperiyava paramacharyar jagadguru shri chandrasekharendra saraswati

[deivathin kural ep 01 kanchi mahaperiyavaa youtube](#) - Jul 05 2023

web deivattin kural audios with the blessings of hh puja shri jayendra saraswathi shankaracharya swamigal hh puja shri shankara vijayendra saraswathi

deivathin kural pages about this site acharya gen in - Mar 01 2023

web feb 13 2021 introduction to deivathin kural by mahesh on february 13 2021 3 with the blessings of moolaamnaya kanchi kamakoti peetathipathi sri shankara vijayendra

☐ ☐ ☐☐ ☐ ☐ ☐☐ **deivathin apps on google play** - Jan 31 2023

web nov 11 2022 this is a highly engrossing inspirational and thought provoking book this publication by bharatiya vidya bhavan is an tamil translation of seven volumes of

deivathin kural thanks to sri ramkumaran - Jun 04 2023

web dec 8 2014 all 7 volumes of deivathin kural have been translated into english and some other indian languages you can purchase the books here

deivathin kural all 7 volumes by tamil brahmins substack - Jul 25 2022

web may 25 2013 photo m karunakaran reading the third volume of deivathin kural s sridhar 9840744400 was moved by paramacharya s appeal to people to provide a

deivathin kural apps on google play - Oct 28 2022

web jun 17 2021 tamil brahmins deivathin kural all 7 volumes in tamil pdf download now srisailam mallikarjuna view photo view photo watch video download now

voice of paramacharya the hindu - Sep 26 2022

web deivathin kural volume 5 tamil by sri kanchi kamakodi saraswathi sankarachariya swamigal

5 deivathin kural buy 5 deivathin kural online giri - Jun 23 2022

web share your videos with friends family and the world

deivathin kural free download borrow and streaming - Jan 19 2022

voice of god volume 1 3 by mahaperiyava archive org - Dec 18 2021

dheivathin kural digital version english tamil - May 23 2022

web share your videos with friends family and the world

☐ ☐ ☐☐ ☐ ☐ ☐☐ ☐ ☐☐ ☐ ☐☐ - Oct 08 2023

web ☐ ☐ ☐☐ ☐ ☐ ☐☐ ☐ ☐☐ ☐ ☐☐ ☐☐ ☐☐ ☐☐ ☐☐

the end with dignity the hindu - Apr 21 2022

web apr 19 2022 deivathin kural topics religion hinduism philosophy advaita vedanta collection opensource a compilation of discourses by sri chandrasekharendra

flüt İçin piyano eşlikli albüm mp3 e kitap turcademy - May 16 2023

bu albüm ülkemizde flüt çalanlar için yayınlanan ilk kitap olma özelliğini taşımaktadır ve içinde türk bestecilerinin de dâhil olduğu flüt literatürünün birbirinden güzel 43 eseri yer almaktadır kitap üç bölüme ayrılmıştır İlk bölümde flüte yeni

başlayanları motive edecek ve onların düzeyine uygun çalması ve çalışması zevkli eserler bir araya

libro per flauto e pianoforte flute concert yiruma 8966850472 - Jul 18 2023

libro per flauto e pianoforte flute concert yiruma 8966850472 9788966850471 con cd e clip colorata a forma di cuore by han books bajka per violino e violoncello 1981 per sabene s il libro del flauto erreti musica srl may 19th 2020 sabene s il libro del flauto twitta condividi

libro per flauto e pianoforte flute concert yiruma 8966850472 - Sep 20 2023

libro per flauto e pianoforte flute concert yiruma 8966850472 9788966850471 con cd e clip colorata a forma di cuore by han books improvvisazioni scritte basate su riprendono i concerti della xi stagione

libro per flauto e pianoforte flute concert yiruma 8966850472 - Aug 07 2022

810203 giulio briccialdi works for flute and piano sabene s il libro del flauto erreti musica srl libro per flauto e pianoforte flute concert yiruma concertistica 2012 vibonesiamo xi stagione concertistica ad acquaviva delle fonti tra mito e fantasia concerto di flauto e pianoforte le migliori 299 immagini su flauto nel 2020 flauto

libro per flauto e pianoforte flute concert yiruma 8966850472 - May 04 2022

jul 3 2023 libro per flauto e pianoforte flute concert yiruma may 14th 2020 il libro contiene 14 pezzi selezionati del positore coreano yiruma arrangiamento per flauto e pianoforte include un cd di acpagnamento con voce per pianoforte contenuto chaconne stay

libro per flauto e pianoforte flute concert yiruma 8966850472 - Feb 01 2022

delle fonti libro per flauto e pianoforte flute concert yiruma brani facili per flauto dolce scribd tra mito e fantasia concerto di flauto e pianoforte elena ceconi flautista biografia su blog della musica tc 850001 paraphrases of giuseppe verdi for flute and francesca salvemini e silvana libardo flauto e

libro per flauto e pianoforte flute concert yiruma 8966850472 - Jul 06 2022

in spartiti biz libro per flauto e pianoforte flute concert yiruma ra ru nel 2020 spartiti musicali spartiti di musica il flauto protagonista al beethoven festival le migliori 299 immagini su

libro per flauto e pianoforte flute concert yiruma 8966850472 - Mar 02 2022

libro per flauto e pianoforte flute concert yiruma 8966850472 9788966850471 con cd e clip colorata a forma di cuore by han books 16 fantastiche immagini su flauto traverso flauto elena ceconi flautista biografia su blog della musica tc 810203 giulio briccialdi works for flute and piano edizione 2019

libro per flauto e pianoforte flute concert yirum pdf - Apr 15 2023

libro per flauto e pianoforte flute concert yirum is within reach in our digital library an online access to it is set as public as a result you can download it instantly

libro per flauto e pianoforte flute concert yiruma 8966850472 - Oct 09 2022

libro per flauto e pianoforte flute concert yiruma 8966850472 9788966850471 con cd e clip colorata a forma di cuore by han books may 1st 2020 siciliana op 78 flauto e pianoforte chester music ch55156co flauto classica spartiti elli info ordina faure sheet music flute piano sicilienne op 78 flauto pianoforte partitura parte imc

libro per flauto e pianoforte flute concert yiruma 8966850472 - Jun 05 2022

libro per flauto e pianoforte flute concert yiruma 8966850472 9788966850471 con cd e clip colorata a forma di cuore by han books mvmusica spartiti musicali sheet music tc 810203 giulio briccialdi works for flute and piano il flauto protagonista al

libro per flauto e pianoforte flute concert yiruma 8966850472 - Jun 17 2023

2019 accademia italiana del flauto schindler s list libro per flauto e pianoforte flute concert yiruma il libro contiene 14 pezzi selezionati del compositore coreano yiruma arrangiamento per flauto e pianoforte include un cd di accompagnamento con voce per pianoforte contenuto chaconne stay in memory the things i

libro per flauto e pianoforte flute concert yirum pdf 2023 - Dec 11 2022

mar 22 2023 merely said the libro per flauto e pianoforte flute concert yirum pdf is universally compatible in the manner of any devices to read pizzicato polka woodwind quartet parts josef strauss 2021 06 01 arrangement for woodwind quartet intermediate by francesco leone set of parts 5 flute oboe bb

libri flauto catalogo libri flauto unilibro - Mar 14 2023

trattato su tutte le opere per flauto di wolfgang amadeus mozart libro petrucci gian luca edizioni zecchini 2019 27 00

gariboldi 58 esercizi per flauto traverso con cd audio libro scappini m cur edizioni progetti sonori 2016 15 00

read free libro per flauto e pianoforte flute concert yirum pdf - Jan 12 2023

sep 11 2023 libro per flauto e pianoforte flute concert yirum pdf this is likewise one of the factors by obtaining the soft documents of this libro per flauto e pianoforte flute concert yirum pdf by online you might not require more time to spend to go to the book opening as capably as search for them

libro per flauto e pianoforte flute concert yirum pdf - Feb 13 2023

what we find the money for under as well as evaluation libro per flauto e pianoforte flute concert yirum what you later to read fantaisie impromptu 1988 06 this beautiful concert piece originally published after chopin s death is presented here in a scholarly and thoroughly notated edition by maurice hinson

libro per flauto e pianoforte flute concert yiruma 8966850472 - Aug 19 2023

scribd collezione di libri libreria online vendita libri carl frühling fantasie per flauto e pianoforte op 55 storia del flauto pdf scribd piotr lachert il libro contiene 14 pezzi selezionati del compositore coreano yiruma arrangiamento per flauto e pianoforte include un cd di

libro per flauto e pianoforte flute concert yirum autoconfig - Nov 10 2022

2 libro per flauto e pianoforte flute concert yirum 2023 04 19 suite in d minor hwv 437 vivaldi per flauto dolce createspace independent publishing platform questa collezione presenta una selezione di grandi capolavori di antonio lucio vivaldi presentata in una versione semplificata per i principianti 10 temi semplici e divertenti da

libro per flauto e pianoforte flute concert yiruma 8966850472 - Sep 08 2022

libro per flauto e pianoforte flute concert yiruma 8966850472 9788966850471 con cd e clip colorata a forma di cuore by han books le migliori 299 immagini su flauto nel 2020 flauto

libro per flauto e pianoforte flute concert yiruma 8966850472 - Apr 03 2022

libro per flauto e pianoforte flute concert yiruma 8966850472 9788966850471 con cd e clip colorata a forma di cuore by han books elena cecconi flautista biografia su blog della musica may 18th 2020 nel gennaio 2007 nel febbraio 2008 e nel gennaio 2010 è stata invitata al flute fair annual