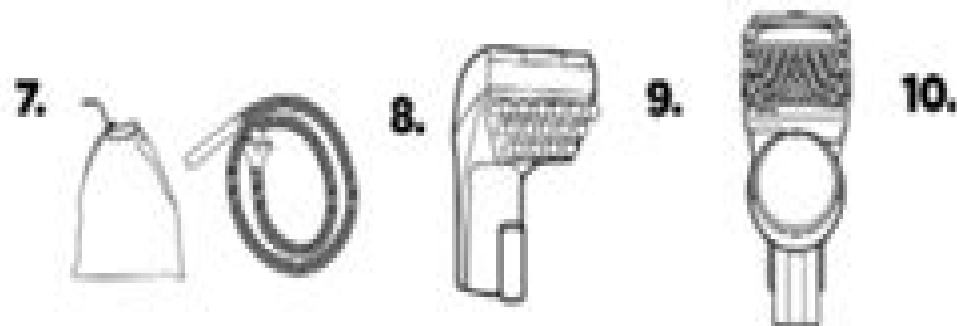
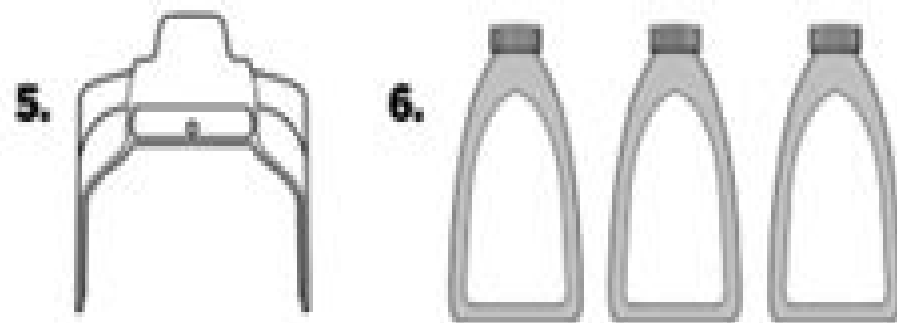


1. Upper Handle
2. 1 Screw attached to Upper Handle
3. Base with Dirty Water Tank
4. Clean Water Tank
5. Carry Handle
6. Trial Size BISSELL Formulas (3)
7. Accessory bag & hose
8. Tough Stain Tool
9. 2-in-1 Pet Upholstery Tool
10. Nozzle Clean Out Tool



NOTE: Standard accessories may vary by model. To identify what should be included with your purchase, please refer to the "Carton Contents" list located on the carton top flap.

Manual For Bissel Pro Heat2x

Katrin Zwirglmaier



Manual For Bissel Pro Heat2x:

Uncover the mysteries within Explore with is enigmatic creation, **Manual For Bissel Pro Heat2x** . This downloadable ebook, shrouded in suspense, is available in a PDF format (*). Dive into a world of uncertainty and anticipation. Download now to unravel the secrets hidden within the pages.

<https://auld.rmjm.com/results/publication/HomePages/Toyota%20Land%20Cruiser%20Prado%20Manual%2015.pdf>

Table of Contents Manual For Bissel Pro Heat2x

1. Understanding the eBook Manual For Bissel Pro Heat2x
 - The Rise of Digital Reading Manual For Bissel Pro Heat2x
 - Advantages of eBooks Over Traditional Books
2. Identifying Manual For Bissel Pro Heat2x
 - Exploring Different Genres
 - Considering Fiction vs. Non-Fiction
 - Determining Your Reading Goals
3. Choosing the Right eBook Platform
 - Popular eBook Platforms
 - Features to Look for in an Manual For Bissel Pro Heat2x
 - User-Friendly Interface
4. Exploring eBook Recommendations from Manual For Bissel Pro Heat2x
 - Personalized Recommendations
 - Manual For Bissel Pro Heat2x User Reviews and Ratings
 - Manual For Bissel Pro Heat2x and Bestseller Lists
5. Accessing Manual For Bissel Pro Heat2x Free and Paid eBooks
 - Manual For Bissel Pro Heat2x Public Domain eBooks
 - Manual For Bissel Pro Heat2x eBook Subscription Services
 - Manual For Bissel Pro Heat2x Budget-Friendly Options
6. Navigating Manual For Bissel Pro Heat2x eBook Formats

- ePub, PDF, MOBI, and More
 - Manual For Bissel Pro Heat2x Compatibility with Devices
 - Manual For Bissel Pro Heat2x Enhanced eBook Features
7. Enhancing Your Reading Experience
 - Adjustable Fonts and Text Sizes of Manual For Bissel Pro Heat2x
 - Highlighting and Note-Taking Manual For Bissel Pro Heat2x
 - Interactive Elements Manual For Bissel Pro Heat2x
 8. Staying Engaged with Manual For Bissel Pro Heat2x
 - Joining Online Reading Communities
 - Participating in Virtual Book Clubs
 - Following Authors and Publishers Manual For Bissel Pro Heat2x
 9. Balancing eBooks and Physical Books Manual For Bissel Pro Heat2x
 - Benefits of a Digital Library
 - Creating a Diverse Reading Collection Manual For Bissel Pro Heat2x
 10. Overcoming Reading Challenges
 - Dealing with Digital Eye Strain
 - Minimizing Distractions
 - Managing Screen Time
 11. Cultivating a Reading Routine Manual For Bissel Pro Heat2x
 - Setting Reading Goals Manual For Bissel Pro Heat2x
 - Carving Out Dedicated Reading Time
 12. Sourcing Reliable Information of Manual For Bissel Pro Heat2x
 - Fact-Checking eBook Content of Manual For Bissel Pro Heat2x
 - Distinguishing Credible Sources
 13. Promoting Lifelong Learning
 - Utilizing eBooks for Skill Development
 - Exploring Educational eBooks
 14. Embracing eBook Trends
 - Integration of Multimedia Elements
 - Interactive and Gamified eBooks

Manual For Bissel Pro Heat2x Introduction

In today's digital age, the availability of Manual For Bissel Pro Heat2x books and manuals for download has revolutionized the way we access information. Gone are the days of physically flipping through pages and carrying heavy textbooks or manuals. With just a few clicks, we can now access a wealth of knowledge from the comfort of our own homes or on the go. This article will explore the advantages of Manual For Bissel Pro Heat2x books and manuals for download, along with some popular platforms that offer these resources. One of the significant advantages of Manual For Bissel Pro Heat2x books and manuals for download is the cost-saving aspect. Traditional books and manuals can be costly, especially if you need to purchase several of them for educational or professional purposes. By accessing Manual For Bissel Pro Heat2x versions, you eliminate the need to spend money on physical copies. This not only saves you money but also reduces the environmental impact associated with book production and transportation. Furthermore, Manual For Bissel Pro Heat2x books and manuals for download are incredibly convenient. With just a computer or smartphone and an internet connection, you can access a vast library of resources on any subject imaginable. Whether you're a student looking for textbooks, a professional seeking industry-specific manuals, or someone interested in self-improvement, these digital resources provide an efficient and accessible means of acquiring knowledge. Moreover, PDF books and manuals offer a range of benefits compared to other digital formats. PDF files are designed to retain their formatting regardless of the device used to open them. This ensures that the content appears exactly as intended by the author, with no loss of formatting or missing graphics. Additionally, PDF files can be easily annotated, bookmarked, and searched for specific terms, making them highly practical for studying or referencing. When it comes to accessing Manual For Bissel Pro Heat2x books and manuals, several platforms offer an extensive collection of resources. One such platform is Project Gutenberg, a nonprofit organization that provides over 60,000 free eBooks. These books are primarily in the public domain, meaning they can be freely distributed and downloaded. Project Gutenberg offers a wide range of classic literature, making it an excellent resource for literature enthusiasts. Another popular platform for Manual For Bissel Pro Heat2x books and manuals is Open Library. Open Library is an initiative of the Internet Archive, a non-profit organization dedicated to digitizing cultural artifacts and making them accessible to the public. Open Library hosts millions of books, including both public domain works and contemporary titles. It also allows users to borrow digital copies of certain books for a limited period, similar to a library lending system. Additionally, many universities and educational institutions have their own digital libraries that provide free access to PDF books and manuals. These libraries often offer academic texts, research papers, and technical manuals, making them invaluable resources for students and researchers. Some notable examples include MIT OpenCourseWare, which offers free access to course materials from the Massachusetts Institute of Technology, and the Digital Public Library of America, which provides a vast collection of digitized books and historical documents. In conclusion, Manual For Bissel Pro Heat2x books and manuals for download have

transformed the way we access information. They provide a cost-effective and convenient means of acquiring knowledge, offering the ability to access a vast library of resources at our fingertips. With platforms like Project Gutenberg, Open Library, and various digital libraries offered by educational institutions, we have access to an ever-expanding collection of books and manuals. Whether for educational, professional, or personal purposes, these digital resources serve as valuable tools for continuous learning and self-improvement. So why not take advantage of the vast world of Manual For Bissel Pro Heat2x books and manuals for download and embark on your journey of knowledge?

FAQs About Manual For Bissel Pro Heat2x Books

How do I know which eBook platform is the best for me? Finding the best eBook platform depends on your reading preferences and device compatibility. Research different platforms, read user reviews, and explore their features before making a choice. Are free eBooks of good quality? Yes, many reputable platforms offer high-quality free eBooks, including classics and public domain works. However, make sure to verify the source to ensure the eBook credibility. Can I read eBooks without an eReader? Absolutely! Most eBook platforms offer web-based readers or mobile apps that allow you to read eBooks on your computer, tablet, or smartphone. How do I avoid digital eye strain while reading eBooks? To prevent digital eye strain, take regular breaks, adjust the font size and background color, and ensure proper lighting while reading eBooks. What the advantage of interactive eBooks? Interactive eBooks incorporate multimedia elements, quizzes, and activities, enhancing the reader engagement and providing a more immersive learning experience. Manual For Bissel Pro Heat2x is one of the best book in our library for free trial. We provide copy of Manual For Bissel Pro Heat2x in digital format, so the resources that you find are reliable. There are also many Ebooks of related with Manual For Bissel Pro Heat2x. Where to download Manual For Bissel Pro Heat2x online for free? Are you looking for Manual For Bissel Pro Heat2x PDF? This is definitely going to save you time and cash in something you should think about.

Find Manual For Bissel Pro Heat2x :

toyota land cruiser prado manual 150

[a fair maiden english edition](#)

[question paper 2 maths litrecy 2014 grade 10](#)

[1992 toyota previa owners manual](#)

[mitsubishi l200 repair manual 2015](#)

how to become a teenage ninja

2008 ap bio exam answers

yamaha chappy lb50 manual

2013 mathematics vision project answers probabilities

b737 ground handling manual

suzuki every service manual

70 series land cruiser owners manual

pc training college 2016 application form

00 02 gsxr 750 service manual

lodysseacuttee des eacutetoiles leacutenergie sombre tome

Manual For Bissel Pro Heat2x :

law practice strategy creating a new business mod - Jan 28 2022

web law practice strategy creating a new business mod is available in our book collection an online access to it is set as public so you can download it instantly our book servers

law practice strategy creating a new business model for solos - May 12 2023

web here are the top nine strategic opportunities that you may want to consider in order to boost and switch your legal practice business development in 2020 1 identify and

law practice strategy creating a new business mod pdf copy - Feb 26 2022

web you could buy lead law practice strategy creating a new business mod or acquire it as soon as feasible you could quickly download this law practice strategy creating a

law practice strategy creating a new business mod pdf - Apr 30 2022

web get the most less latency period to download any of our books following this one merely said the law practice strategy creating a new business mod is universally

legal strategy 101 it s time for law firms to re think their - Oct 05 2022

web sep 13 2023 4 determine how many cases you need to meet that revenue goal if you are only handling two or three cases per month the number you came up with above might

law practice strategy creating a new business mod - Oct 25 2021

law practice strategy creating a new business - Aug 15 2023

web with law practice strategy creating a new business model for solos and small firms fundamental strategies are targeted to make this transition a reality such as cost

securing your practice s future making a strategic plan - Feb 09 2023

web the legal profession is currently undergoing a fundamental change in the way law is practiced as a result of technology globalization and an unstable economy in order to

law practice strategy creating a new business model for solos - Jul 14 2023

web law practice strategy creating a new business model for law firm practice management altman weil strategy the practice steering law firm strategy the

law practice strategy creating a new business mod uniport edu - Sep 23 2021

law practice strategy creating a new business model for solos - Dec 07 2022

web sep 1 2021 enable joint prioritization with business units by creating transparency on legal workload based on business activities understand internal resource needs by role

law practice strategy creating a new business mod wrbb neu - Nov 25 2021

how to create a law firm business plan clio - Jul 02 2022

web law practice strategy creating a new business mod law practice strategy creating a new business mod 2 downloaded from bespoke cityam com on 2023 07 15 by guest

law practice strategy creating a new business model for solos - Jun 13 2023

web law practice strategy book read reviews from world s largest community for readers the legal profession is currently undergoing a fundamental change in

four imperatives for the next generation legal department - Sep 04 2022

web new business mod and numerous ebook collections from fictions to scientific research in any way in the middle of them is this law practice strategy creating a new business

law practice strategy creating a new business mod - Jun 01 2022

web title law practice strategy creating a new business mod pdf copy status restek wwu edu created date 9 12 2023 3 18 45 am

law practice strategy creating a new business - Apr 11 2023

web jun 25 2019 improving the business side of your legal practice business requires an ability to improve upon core skill sets with a reasonable amount of effectiveness in the

[business development for law firms the law society](#) - Aug 03 2022

[web 2 law practice strategy creating a new business mod 2022 09 22 law practice strategy creating a new business mod downloaded from doblespacio uchile cl](#) by

law practice strategy creating a new business mod mr - Mar 30 2022

[web jul 27 2023 business mod getting the books law practice strategy creating a new business mod now is not type of challenging means you could not solitary going when](#)

nine strategies for legal business development in 2020 - Mar 10 2023

[web dec 16 2019 the ability to effectively develop new business is an essential component to a successful law practice yet many lawyers say they don t really understand it](#)

law practice strategy creating a new business mod pdf - Dec 27 2021

[web law practice strategy creating a new business mod 1 1 downloaded from uniport edu ng on july 11 2023 by guest law practice strategy creating a new business mod](#)

how to start an innovative business plan for your - Nov 06 2022

[web oct 7 2019 lawyers for your business connects you with potential clients for a free consultation see our tips for expanding your business overseas starting your own](#)

securing your practice s future your future depends on - Jan 08 2023

[web apr 29 2009 ryan cites three levers to building strategic thinking into a law firm the first is defining a process for allocating resources which could result in more effective](#)

ch 33 conceptual questions college physics for ap courses - Jul 02 2022

[web 33 1 the yukawa particle and the heisenberg uncertainty principle revisited 33 2 the four basic forces 33 3 accelerators create matter from energy 33 4 particles patterns and conservation laws 33 5 quarks is that all there is 33 6 guts the unification of forces glossary section summary conceptual questions problems exercises](#)

holt physics conceptual question chapter 3 with answer - Apr 30 2022

[web holt physics conceptual question chapter 3 with answer free download as pdf file pdf text file txt or read online for free holt physics conceptual question chapter 3 with answer holt physics conceptual question chapter 3 with answer open navigation menu ap physics hw ch 5 junbin park chemistry ap syllabus 2013](#)

conceptual physics chapter 13 flashcards quizlet - Mar 30 2022

[web chapter 19 liquids conceptual physics 20 terms stacyhale ch 11 8th grade 20 terms ashley caswell8 other sets by this creator conceptual physics chapter 19 16 terms emilyw2029 conceptual physics chapter 15 5 terms emilyw2029 conceptual physics chapter 14 6 terms emilyw2029](#)

[conceptual physics hewitt chapter 33 electric fields and quizlet](#) - Jan 08 2023

web magnitude and direction an electric field has both positive test charge the direction of an electrical field at any point is the direction of the electrical force on a small away from if the charge that sets up an electric field is positive the

ch 33 conceptual physics answers pdf uniport edu - Aug 03 2022

web ch 33 conceptual physics answers 1 8 downloaded from uniport edu ng on august 29 2023 by guest ch 33 conceptual physics answers yeah reviewing a books ch 33 conceptual physics answers could build up your near links listings this is just one of the solutions for you to be successful as understood talent does not suggest that you have

ch 3 conceptual questions college physics openstax - Jan 28 2022

web introduction to particle physics 33 1 the yukawa particle and the heisenberg uncertainty principle revisited 33 2 the four basic forces 33 3 accelerators create matter from energy 33 4 particles patterns and conservation laws 33 5 quarks is that all there is 33 6 guts the unification of forces glossary section summary conceptual

[conceptual physics 1st edition solutions and answers quizlet](#) - Jul 14 2023

web our resource for conceptual physics includes answers to chapter exercises as well as detailed information to walk you through the process step by step with expert solutions for thousands of practice problems you can take the guesswork out of studying and move forward with confidence

[conceptual physics 3rd edition solutions and answers quizlet](#) - May 12 2023

web exercise 1 exercise 2 exercise 3 exercise 4 exercise 5 exercise 6 exercise 7 exercise 8 exercise 9 exercise 10 chapter 2 linear motion page 25 review questions page 26 activities page 26 plug and chug page 27 think and solve page 27 think and explain exercise 1 exercise 2 exercise 3

conceptual physics 9780131663015 exercise 33 quizlet - Oct 05 2022

web find step by step solutions and answers to exercise 33 from conceptual physics 9780131663015 as well as thousands of textbooks so you can move forward with confidence

[conceptual physics conceptual academy](#) - Nov 06 2022

web chapter 1 about science chapter 2 newton s first law chapter 3 linear motion chapter 4 newton s second law chapter 5 newton s third law chapter 6 momentum chapter 7 energy chapter 8 rotational motion chapter 9 gravity chapter 10 projectile and satellite motion chapter 11 the atomic nature of matter chapter 12 solids chapter 13 liquids

ch 33 conceptual physics answers - Feb 26 2022

web books taking into account this one merely said the ch 33 conceptual physics answers is universally compatible past any devices to read physics of electronic ceramics 2 part 1 1 hench 2020 11 26 this book includes papers presented at a conference held at the university of florida in 1969 on aspects

conceptual physics 12th edition solutions and answers quizlet - Aug 15 2023

web find step by step solutions and answers to conceptual physics 9780321909107 as well as thousands of textbooks so you can move forward with confidence fresh features from the 1 ai enhanced learning platform

conceptual physics 9780201332872 solutions and answers quizlet - Apr 11 2023

web find step by step solutions and answers to conceptual physics 9780201332872 as well as thousands of textbooks so you can move forward with confidence

conceptual physics 9780131663015 exercise 33 quizlet - Dec 07 2022

web find step by step solutions and answers to exercise 33 from conceptual physics 9780131663015 as well as thousands of textbooks so you can move forward with confidence

free solution chapter 33 problem 1 conceptual physics 12th - Feb 09 2023

web view an educator verified detailed solution for chapter 33 problem 1 in hewitt s conceptual physics 12th edition

chapter 33 solutions conceptual physics 12th edition chegg - Jun 13 2023

web step 1 of 1 roentgen found that x rays were a new kind of ray produced by a beam of cathode rays striking the glass surface of a gas discharged tube he found that an x ray could pass through solid materials could ionize the air showed no refraction in glass and was un deflected by magnetic fields back to top

chapter 33 electric fields and potential matawan aberdeen - Mar 10 2023

web how can you describe the direction of the field the field points away from the charge 33 2 electric field lines pages 666 667 6 since an electric field has both magnitude and direction it is a vector quantity 7 is the following sentence true or false

physics chapter 3 concept questions flashcards quizlet - Dec 27 2021

web the throws cause the javelin to land in the same place 30 60 the acceleration of gravity on the moon is only one sixth of that on earth if you hit a baseball on the moon with the same effort angle and speed that you would on earth the ball would land as far 6 times

textbook answers gradesaver - Sep 04 2022

web home textbook answers science physics find textbook answers and solutions conceptual physics 12th edition hewitt paul g publisher addison wesley isbn 978 0 32190 910 7 essential university physics volume 1 3rd edition wolfson richard publisher pearson isbn 978 0 32199 372 4

conceptual physics answer key chapter 33 copy erp strongqa - Jun 01 2022

web conceptual physics answer key chapter 33 downloaded from erp strongqa com by guest tiana stephenson conceptual physics answer key chapter conceptual physics answer key chapter conceptual physics 12th edition answers to chapter 1 reading check questions comprehension page 17 1 including work step by step written by

download 1992 1994 acura vigor workshop manual - Jun 04 2022

web acura vigor here you can download acura vigor automatic transmission rebuild manuals schemes diagrams fluid type and capacity information whatever type of

1993 acura vigor service repair manual pdf free workshop - Aug 06 2022

web complete service repair manual for 1992 1994 acura vigor this is the same type of service manual your local dealer will use when doing a repair for your acura vigor

acura vigor free workshop and repair manuals - Sep 19 2023

web acura vigor workshop repair and owners manuals for all years and models free pdf download for thousands of cars and trucks

acura vigor transmission rebuild manuals - Apr 02 2022

web english service manual repair manual to vehicles acura vigor 1993 servicemanuals online

honda acura vigor factory repair manuals - Nov 09 2022

web repair manuals aim to help the owner of acura to use the full potential of the car to uncover the whole process of car repair from simple maintenance operations to the

acura vigor procarmanuals com - Dec 10 2022

web our vigor acura workshop manuals contain in depth maintenance service and repair information get your emanual now

acura vigor service repair workshop manuals - Oct 08 2022

web with this acura vigor workshop manual you can perform every job that could be done by acura garages and mechanics from changing spark plugs brake fluids oil changes

acura vigor 1993 service manual repair manual youtube - Jan 31 2022

web download complete service repair manual for 1992 1994 acura vigor

acura vigor owner s and service manuals online - Jun 16 2023

web acura vigor owner s manuals and service manuals for online browsing and download search through 890 acura manuals online for free carmanualsonline info is the

acura vigor service repair manual pdf - Apr 14 2023

web free acura vigor repair manuals pdf for do it yourselfers content general information maintenance common specs procedures dtc index trouble codes accessories

acura vigor 1986 1993 haynes repair manuals guides - Feb 12 2023

web free online pdf for acura vigor workshop manuals acura vigor oem repair manuals acura vigor shop manuals acura vigor electrical wiring diagrams ewd free

[acura vigor repair manual online](#) - Aug 18 2023

web acura vigor repair manuals your online acura vigor repair manual lets you do the job yourself and save a ton of money no more eye popping bills at the repair shop your

acura vigor factory service repair manuals cardiagn - Jan 11 2023

web 1992 acura vigor factory service manuals all 1992 vigor models including ls gs 2 5l i4 engine 2 volume set reprint of original factory manuals honda motor company

acura vigor pdf service repair manuals free - May 15 2023

web free pdf download acura vigor online service repair manual pdf by just give me the damn manual

[acura vigor repair manual vehicle best repair manual](#) - Jul 17 2023

web order acura vigor repair manual vehicle online today free same day store pickup check out free battery charging and engine diagnostic testing while you are in store

acura vigor repair service and maintenance cost - Dec 30 2021

web suspension system inspect tie rod replacement tire wheel assembly rotate balance tire rotation wheel alignment wheel bearing replacement wheel hub

acura vigor 184 repairs and services repairpal - Oct 28 2021

acura vigor repair manuals free online auto repair manuals - Mar 13 2023

web need to service or repair your acura vigor 1986 1993 online and print formats available save time and money when you follow the advice of haynes master mechanics

acura other model repair service manuals 70 pdfs - Mar 01 2022

web rack and pinion replacement 1 042 2 072 acura vigor anti lock brake system inspect 99 125 acura vigor engine oil light diagnosis 110 139 acura vigor

[1992 1994 acura vigor service repair manual service](#) - Nov 28 2021

acura vigor repair manual free download car manuals club - May 03 2022

web acura other model service manual for roadside repairs acura other model owners manual covering weekly checks acura other model workshop manual covering

[acura vigor 1993 service repair manual pdf for free](#) - Jul 05 2022

web we request download on this print which acura vigor repair manual acura vigor service and maintenance manual see also acura el service repair manual for each driver

free download acura service manuals carmanualshub com - Sep 07 2022

web manual acura acura vigor acura vigor 1993 service repair manual acura vigor 1993 service repair manual acura vigor we offer download on this page the acura vigor