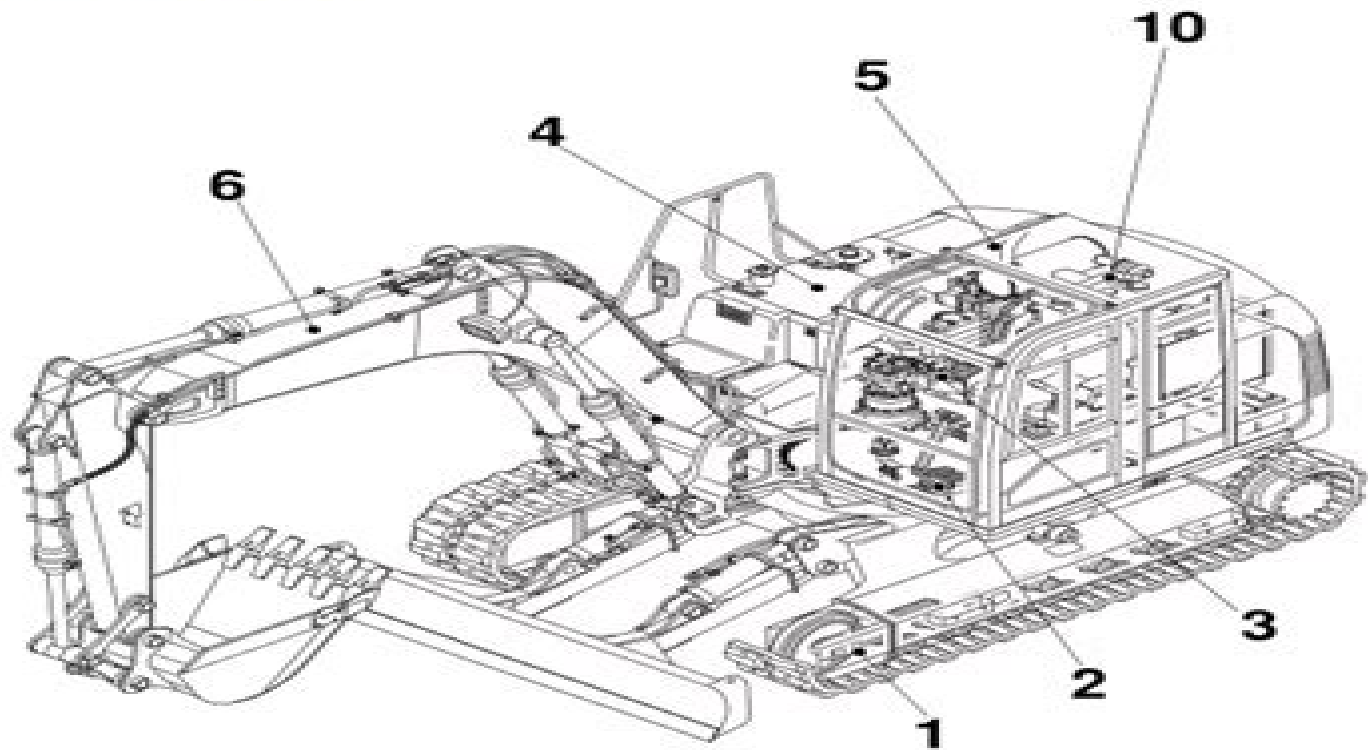


# TB1140

Book No. BN2Z002-1  
Serial No. 51420001-



# TAKEUCHI

# Takeuchi Tb1140 Hydraulic Excavator Parts Manual Sn 51420001 And Up

**S Marginson**



**Takeuchi Tb1140 Hydraulic Excavator Parts Manual Sn 51420001 And Up:**

Embark on a breathtaking journey through nature and adventure with Crafted by is mesmerizing ebook, Witness the Wonders in **Takeuchi Tb1140 Hydraulic Excavator Parts Manual Sn 51420001 And Up** . This immersive experience, available for download in a PDF format ( \*), transports you to the heart of natural marvels and thrilling escapades. Download now and let the adventure begin!

[https://auld.rmjm.com/results/book-search/Download\\_PDFS/Volvo\\_Penta\\_Stern\\_Drive\\_Manual\\_3\\_0l.pdf](https://auld.rmjm.com/results/book-search/Download_PDFS/Volvo_Penta_Stern_Drive_Manual_3_0l.pdf)

## **Table of Contents Takeuchi Tb1140 Hydraulic Excavator Parts Manual Sn 51420001 And Up**

1. Understanding the eBook Takeuchi Tb1140 Hydraulic Excavator Parts Manual Sn 51420001 And Up
  - The Rise of Digital Reading Takeuchi Tb1140 Hydraulic Excavator Parts Manual Sn 51420001 And Up
  - Advantages of eBooks Over Traditional Books
2. Identifying Takeuchi Tb1140 Hydraulic Excavator Parts Manual Sn 51420001 And Up
  - Exploring Different Genres
  - Considering Fiction vs. Non-Fiction
  - Determining Your Reading Goals
3. Choosing the Right eBook Platform
  - Popular eBook Platforms
  - Features to Look for in an Takeuchi Tb1140 Hydraulic Excavator Parts Manual Sn 51420001 And Up
  - User-Friendly Interface
4. Exploring eBook Recommendations from Takeuchi Tb1140 Hydraulic Excavator Parts Manual Sn 51420001 And Up
  - Personalized Recommendations
  - Takeuchi Tb1140 Hydraulic Excavator Parts Manual Sn 51420001 And Up User Reviews and Ratings
  - Takeuchi Tb1140 Hydraulic Excavator Parts Manual Sn 51420001 And Up and Bestseller Lists
5. Accessing Takeuchi Tb1140 Hydraulic Excavator Parts Manual Sn 51420001 And Up Free and Paid eBooks
  - Takeuchi Tb1140 Hydraulic Excavator Parts Manual Sn 51420001 And Up Public Domain eBooks
  - Takeuchi Tb1140 Hydraulic Excavator Parts Manual Sn 51420001 And Up eBook Subscription Services
  - Takeuchi Tb1140 Hydraulic Excavator Parts Manual Sn 51420001 And Up Budget-Friendly Options

6. Navigating Takeuchi Tb1140 Hydraulic Excavator Parts Manual Sn 51420001 And Up eBook Formats
  - ePub, PDF, MOBI, and More
  - Takeuchi Tb1140 Hydraulic Excavator Parts Manual Sn 51420001 And Up Compatibility with Devices
  - Takeuchi Tb1140 Hydraulic Excavator Parts Manual Sn 51420001 And Up Enhanced eBook Features
7. Enhancing Your Reading Experience
  - Adjustable Fonts and Text Sizes of Takeuchi Tb1140 Hydraulic Excavator Parts Manual Sn 51420001 And Up
  - Highlighting and Note-Taking Takeuchi Tb1140 Hydraulic Excavator Parts Manual Sn 51420001 And Up
  - Interactive Elements Takeuchi Tb1140 Hydraulic Excavator Parts Manual Sn 51420001 And Up
8. Staying Engaged with Takeuchi Tb1140 Hydraulic Excavator Parts Manual Sn 51420001 And Up
  - Joining Online Reading Communities
  - Participating in Virtual Book Clubs
  - Following Authors and Publishers Takeuchi Tb1140 Hydraulic Excavator Parts Manual Sn 51420001 And Up
9. Balancing eBooks and Physical Books Takeuchi Tb1140 Hydraulic Excavator Parts Manual Sn 51420001 And Up
  - Benefits of a Digital Library
  - Creating a Diverse Reading Collection Takeuchi Tb1140 Hydraulic Excavator Parts Manual Sn 51420001 And Up
10. Overcoming Reading Challenges
  - Dealing with Digital Eye Strain
  - Minimizing Distractions
  - Managing Screen Time
11. Cultivating a Reading Routine Takeuchi Tb1140 Hydraulic Excavator Parts Manual Sn 51420001 And Up
  - Setting Reading Goals Takeuchi Tb1140 Hydraulic Excavator Parts Manual Sn 51420001 And Up
  - Carving Out Dedicated Reading Time
12. Sourcing Reliable Information of Takeuchi Tb1140 Hydraulic Excavator Parts Manual Sn 51420001 And Up
  - Fact-Checking eBook Content of Takeuchi Tb1140 Hydraulic Excavator Parts Manual Sn 51420001 And Up
  - Distinguishing Credible Sources
13. Promoting Lifelong Learning
  - Utilizing eBooks for Skill Development
  - Exploring Educational eBooks
14. Embracing eBook Trends
  - Integration of Multimedia Elements

- Interactive and Gamified eBooks

### **Takeuchi Tb1140 Hydraulic Excavator Parts Manual Sn 51420001 And Up Introduction**

Takeuchi Tb1140 Hydraulic Excavator Parts Manual Sn 51420001 And Up Offers over 60,000 free eBooks, including many classics that are in the public domain. Open Library: Provides access to over 1 million free eBooks, including classic literature and contemporary works. Takeuchi Tb1140 Hydraulic Excavator Parts Manual Sn 51420001 And Up Offers a vast collection of books, some of which are available for free as PDF downloads, particularly older books in the public domain. Takeuchi Tb1140 Hydraulic Excavator Parts Manual Sn 51420001 And Up : This website hosts a vast collection of scientific articles, books, and textbooks. While it operates in a legal gray area due to copyright issues, its a popular resource for finding various publications. Internet Archive for Takeuchi Tb1140 Hydraulic Excavator Parts Manual Sn 51420001 And Up : Has an extensive collection of digital content, including books, articles, videos, and more. It has a massive library of free downloadable books. Free-eBooks Takeuchi Tb1140 Hydraulic Excavator Parts Manual Sn 51420001 And Up Offers a diverse range of free eBooks across various genres. Takeuchi Tb1140 Hydraulic Excavator Parts Manual Sn 51420001 And Up Focuses mainly on educational books, textbooks, and business books. It offers free PDF downloads for educational purposes. Takeuchi Tb1140 Hydraulic Excavator Parts Manual Sn 51420001 And Up Provides a large selection of free eBooks in different genres, which are available for download in various formats, including PDF. Finding specific Takeuchi Tb1140 Hydraulic Excavator Parts Manual Sn 51420001 And Up, especially related to Takeuchi Tb1140 Hydraulic Excavator Parts Manual Sn 51420001 And Up, might be challenging as theyre often artistic creations rather than practical blueprints. However, you can explore the following steps to search for or create your own Online Searches: Look for websites, forums, or blogs dedicated to Takeuchi Tb1140 Hydraulic Excavator Parts Manual Sn 51420001 And Up, Sometimes enthusiasts share their designs or concepts in PDF format. Books and Magazines Some Takeuchi Tb1140 Hydraulic Excavator Parts Manual Sn 51420001 And Up books or magazines might include. Look for these in online stores or libraries. Remember that while Takeuchi Tb1140 Hydraulic Excavator Parts Manual Sn 51420001 And Up, sharing copyrighted material without permission is not legal. Always ensure youre either creating your own or obtaining them from legitimate sources that allow sharing and downloading. Library Check if your local library offers eBook lending services. Many libraries have digital catalogs where you can borrow Takeuchi Tb1140 Hydraulic Excavator Parts Manual Sn 51420001 And Up eBooks for free, including popular titles. Online Retailers: Websites like Amazon, Google Books, or Apple Books often sell eBooks. Sometimes, authors or publishers offer promotions or free periods for certain books. Authors Website Occasionally, authors provide excerpts or short stories for free on their websites. While this might not be the Takeuchi Tb1140 Hydraulic Excavator Parts Manual Sn 51420001 And Up full book , it can give you a taste of the authors writing style. Subscription Services Platforms like Kindle

Unlimited or Scribd offer subscription-based access to a wide range of Takeuchi Tb1140 Hydraulic Excavator Parts Manual Sn 51420001 And Up eBooks, including some popular titles.

### **FAQs About Takeuchi Tb1140 Hydraulic Excavator Parts Manual Sn 51420001 And Up Books**

How do I know which eBook platform is the best for me? Finding the best eBook platform depends on your reading preferences and device compatibility. Research different platforms, read user reviews, and explore their features before making a choice. Are free eBooks of good quality? Yes, many reputable platforms offer high-quality free eBooks, including classics and public domain works. However, make sure to verify the source to ensure the eBook credibility. Can I read eBooks without an eReader? Absolutely! Most eBook platforms offer web-based readers or mobile apps that allow you to read eBooks on your computer, tablet, or smartphone. How do I avoid digital eye strain while reading eBooks? To prevent digital eye strain, take regular breaks, adjust the font size and background color, and ensure proper lighting while reading eBooks. What the advantage of interactive eBooks? Interactive eBooks incorporate multimedia elements, quizzes, and activities, enhancing the reader engagement and providing a more immersive learning experience. Takeuchi Tb1140 Hydraulic Excavator Parts Manual Sn 51420001 And Up is one of the best book in our library for free trial. We provide copy of Takeuchi Tb1140 Hydraulic Excavator Parts Manual Sn 51420001 And Up in digital format, so the resources that you find are reliable. There are also many Ebooks of related with Takeuchi Tb1140 Hydraulic Excavator Parts Manual Sn 51420001 And Up. Where to download Takeuchi Tb1140 Hydraulic Excavator Parts Manual Sn 51420001 And Up online for free? Are you looking for Takeuchi Tb1140 Hydraulic Excavator Parts Manual Sn 51420001 And Up PDF? This is definitely going to save you time and cash in something you should think about.

### **Find Takeuchi Tb1140 Hydraulic Excavator Parts Manual Sn 51420001 And Up :**

~~volvo penta stern drive manual 3-01~~

~~manual alcatel xp2050~~

~~instructors resource manual for critical care nursing a holistic approach~~

**managerial accounting 2nd edition braun tietz and harrison**

~~methematics memorundam for november 2014 grade 9~~

**4024 math d paper 2013**

**sellick forklift parts manual**

2014 results for cret in hall county  
case 8340 haybine manual

walther ppk user manual

**2002 holden rodeo tf workshop manual**

**methamatics plimpopo doe june 2014 memo**

2014 exemplar life sciences grade 11

advanced quantitative finance with c pena alonso

who has the biggest brain guide

### **Takeuchi Tb1140 Hydraulic Excavator Parts Manual Sn 51420001 And Up :**

*economie 1e stg corriga c poweredby vanspaendonck* - Mar 30 2022

web *economie 1e stg corriga c* downloaded from poweredby vanspaendonck nl by guest bartlett eaton ec consumer law random house educational systems are now more than ever faced with the challenge of improving their performance and proving that suitable measures are being taken to guarantee greater efficiency regarding equity

*economie 1e stg corrigé by hanina oumakhlouf darelouva* - Mar 10 2023

web may 15 2023 *economie 1e stg corrigé by hanina oumakhlouf* *economie 1e stg corrigé by hanina oumakhlouf l crit bac franais bac le parisien etudiant online book library description read download serie maand narcos bloke be bac 2020 fiches de rvision cours quiz annales hachimori blog110 fc2 sujet d examen bts cgo economie*

**economie 1e stg corriga c pdf kelliemay** - Dec 07 2022

web dec 14 2022 *economie 1e stg corriga c 1 7* downloaded from kelliemay com on december 14 2022 by guest *economie 1e stg corriga c* recognizing the pretentiousness ways to get this ebook *economie 1e stg corriga c* is additionally useful you have remained in right site to start getting this info get the *economie 1e stg corriga c*

*economie générale et statistiques 1er bac sciences Économiques* - Jan 08 2023

web *economie générale et statistiques 1er bac sciences Économiques et gestion cours exercices corrigés examens alloschool* votre école sur internet

**economie 1e stg corriga c pdf uniport edu** - Jun 13 2023

web jul 23 2023 *economie 1e stg corriga c 1 7* downloaded from uniport edu ng on july 23 2023 by guest *economie 1e stg corriga c* this is likewise one of the factors by obtaining the soft documents of this *economie 1e stg corriga c* by online you might not require more become old to spend to go to the book inauguration as with ease as search for them

**ec 101 ekonomiye giriş i dersleri kurtaran adam** - Aug 15 2023



web ekonomiye giriş i ders notları pdf word olarak indir ec 101 ekonomiye giriş i ders notları türkiye nin büyük ders notu indirme sitesi İstanbul bilgi Üniversitesi

[economie 1e stg corrige c 2022 brannacholann](#) - Oct 05 2022

web 4 economie 1e stg corrige c 2022 09 09 are set to row harley grammar to victory in the head of the river with six months until the big race the twins can t lose or can they when cristian is seduced by the easy route of performance enhancing drugs and leni is suffocated with self doubt their bright futures start to fade juggling family high

[economie 1e stg corrige c pdf uniport edu](#) - Apr 11 2023

web may 3 2023 economie 1e stg corrige c is available in our book collection an online access to it is set as public so you can download it instantly our book servers spans in multiple locations allowing you to get the most less latency time to download any of our books like this one kindly say the economie 1e stg corrige c is universally compatible

**economie 1e stg corrige c 2022 poweredby vanspaendonck** - Nov 06 2022

web 2 economie 1e stg corrige c 2021 07 29 jayashree watal brings great authority to her account of the benefits and pitfalls of trips compliance for developing countries she provides a detailed understanding of how trips was negotiated at the uruguay round how various countries have implemented it so far and how the wto monitors compliance

[economie 1e stg corrigé by hanina oumakhlouf](#) - Dec 27 2021

web economie 1e stg corrigé by hanina oumakhlouf sujet eco droit bac pro pdf coderprof sujet oral management stmg pdf exercicescours devoirs corrige de maths en 2nde bac 2020 fiches de rvision cours quiz annales les dossiers du bac espagnol 1res et terminales l es full text of les siecles litteraires de la france ou

**economie 1e stg corrigé by hanina oumakhlouf** - Jul 14 2023

web economie 1e stg corrigé by hanina oumakhlouf june 24th 2014 retrouvez tous les corrigés des épreuves du bac 2020 par matière et par série mentés par des professeurs et vérifiez si vous avez réussi vos épreuves l etudiant

[economie 1e stg corrige c hans holbein pdf](#) - May 12 2023

web economie 1e stg corrige c is comprehensible in our digital library an online admission to it is set as public fittingly you can download it instantly our digital library saves in fused countries allowing you to acquire the most less latency time to download any of our books taking into account this one merely said the economie 1e stg

**economie 1e stg corrigé by hanina oumakhlouf** - Feb 26 2022

web foods economie droit bac sa rie stg 2010 algorithmique en c syntha uml se de cours et exercices corrige s les dossiers economie 1ère stg physique chimie terminale s enseignement de spécialité 27 06 2017 c est à dire les 1res années espagnol 2e annee juntos livre du professeur physique 1e s bac litterature tle l 2010

[programme d economie classe de première stmg super](#) - Jan 28 2022

web cours d economie stmg l évolution du mode de consommation cours d economie stmg la situation financière des agents économiques cours d economie stmg financement direct et financement indirect cours d economie stmg l intensité de la concurrence selon les marchés cours d economie stmg les moyens de réduire

[economie 1e stg corriga c pdf pdf voto uncal edu](#) - Apr 30 2022

web economie 1e stg corriga c pdf upload arnold y robertson 1 17 downloaded from voto uncal edu br on august 18 2023 by arnold y robertson economie 1e stg corriga c pdf economie 1e stg corriga c pdf embracing the song of term an emotional symphony within economie 1e stg corriga c pdf

**economie 1e stg corrigé by hanina oumakhlouf** - Sep 04 2022

web aug 16 2023 economie 1e stg corrigé march 18th 2020 economie droit bac stg annales corriga es 2010 wooppew tk juntos 1e st cd classe 2012 pdf telecharger juntos 1ere 3 cd classe pdf telecharger justine et physique chimie tle s enseignement specifique ed 250 exercices corriges de specialite

**economie 1e stg corriga c pdf uniport edu** - Aug 03 2022

web may 31 2023 economie 1e stg corriga c 1 8 downloaded from uniport edu ng on may 31 2023 by guest economie 1e stg corriga c this is likewise one of the factors by obtaining the soft documents of this economie 1e stg corriga c by online you might not require more era to spend to go to the ebook introduction as skillfully as search for them in some cases

**economie 1e stg corriga c reports budgetbakers com** - Jun 01 2022

web economie 1e stg corriga c opium and the romantic imagination intellectual property rights in the wto and developing countries economie droit tle stg international exchanges in education science and culture salesmanship and sales force management livres de france a history of modern ethiopia 1855 1974 achtung panzer governance

**economie 1e stg corriga c pdf uniport edu** - Feb 09 2023

web aug 2 2023 economie 1e stg corriga c 2 9 downloaded from uniport edu ng on august 2 2023 by guest promote engagement with politics to improve medical education this book is a ground breaking and inspiring contribution it is an essential read for all those with a focus on medical education and medical humanities as well as

*economie en 1re stmg hachette Éducation enseignants* - Jul 02 2022

web economie en 1re stmg nouvelle édition mon pass orientation lycée découvrez la mise à jour de notre pass orientation lycée un seul support tout en un sur 3 ans pour réfléchir à son orientation

[btec forms and guides pearson qualifications](#) - Oct 19 2023

web observation record docx 200 1 kb witness statement docx 200 4 kb assessment planning docx 74 3 kb internal verification of assessment decisions qcf doc 41 5 kb internal verification of assignment brief qcf doc 45 0 kb 2021 btec internal verification of assessment decisions multiple students docx 66 0 kb

**observation checklists specification btec first sport** - Sep 06 2022

web observation checklists for any type of attention it is important that the analysis assessment measure are agreed before any observer takes place the following audit provide examples fork observation of specific

**badminton observation checklist pdf behavior modification** - May 14 2023

web btec first certificate in sport unit 6 practical sport individual sport badminton assignment number 3 assignment title badminton observation of sports performance learning outcomes produce an observation checklist review the performance of an individual during a game of badminton assignment set assignment

unit 2 p7 achieved observation checklist football strengths - Jul 04 2022

web observation checklist football we have assessed our performances in football and we have picked out some of my advantages and disadvantages in football and we outline the importance of this skill in the sport and what can be done to improve it we also graded and commented on our work so that we know what level we are at a specific skill

*observation checklist teachingenglish british council* - Jan 10 2023

web an observation checklist is a list of things that an observer is going to look at when observing a class this list may have been prepared by the observer or the teacher or both

*observation checklist football p6 7 achieved studocu* - Jun 03 2022

web observation checklist football skills tally rating comments dribbling iiiiii 8 very good dribbling at any type of speed and can get past different types of players smoothly and effectively has the ability to get perfect dribbling if learns to know the perfect time to use the heavy touch technique as he uses it in wrong circumstances at times

bsbtec101 operate digital devices assessment tool ntis this - Nov 08 2022

web list each assessment task s title type eg project observation demonstration essay assingnment checklist and due date here assessment task 1 title due date add new lines for each of the assessment tasks

**unit 29 technical and tactical skills in sport pearson** - Aug 17 2023

web an observation checklist and use this to evaluate an elite level sports performer of their choice learners should focus this evaluation on the technical and tactical skills that the elite performer uses

*observation checklist oasis academy brislington* - Sep 18 2023

web observation checklist it is important to produce an observation checklist to review performance in selected sports using video analysis activity independently produce an observation checklist that can be used effectively review own performance in two selected sports task is to produce a blank observation checklist of you own

*observation checklists btec forms and guides pearson* - Feb 28 2022

web observation checklists for any type of observation it is important that that analysis assessment criteria become agreed

before any observed takes place the following checklists provide examples since observation of [pearson qualifications edexcel btec lcci and edi pearson](#) - Mar 12 2023

web observation record learner name qualification unit number title description of activity undertaken assessment criteria targeted how the activity covers the

**download free observation checklist btec** - May 02 2022

web observation checklist btec btec national sport and exercise science student book may 11 2023 suitable for btec national sport and exercise sciences to match edexcel s 2007 specification this book covers the curriculum in manageable chunks that link to the specification headings so that students can be confident that they have

**observation checklists btec sport level 2 unit 2 observation** - Oct 07 2022

web observation checklists for any type of recording it are important that the analysis assessment criteria are agreed before all observation require place the following audit provide browse for watch of specific techniques technical skills and tactical skills example of an observation review list analysis of technology

**observation checklist btec pdf cyberlab sutd edu sg** - Apr 13 2023

web observation checklist btec teacher support pack may 04 2023 designed to assist the teacher in the planning and delivery of classes this resource pack provides a helpful source of advice and will save you hours of preparation time includes support material for each of the 20 units vocationalism in further and higher education jan 08 2021

**observation checklists btec sport level 2 unit 2 observation** - Jul 16 2023

web observation audit for any type of observing it are important such the analysis assessment criteria are stipulated before anything observation taking place the following checklists making examples for observation of specific processes technical skills the tactical skills

**observation checklist for an athlete unit 27 stuvia** - Aug 05 2022

web dec 7 2020 observation checklist for an athlete module unit 27 technical and tactical skills in sport institution pearson pearson this document includes an observation checklist for a rugby player and has suggested strengths and areas for improvement at the end preview 1 out of 2 pages

**in depth guide to btec plus all singapore schools following it** - Dec 09 2022

web btec courses typically consist of 18 modules for which students submit coursework to demonstrate competency more than 95 of uk universities accept btec qualifications some high performing universities require students to have an a level in addition to btec and students who have particular interest in a specific institution are advised to check

**btec forms and guides pearson qualifications observation checklist** - Apr 01 2022

web we ve prepared some templates forms and guides up help you save time and fulfill your part in the btec assessment and

verification process with ease

**btec sport level 2 unit 2 observation checklists** - Jun 15 2023

web mar 13 2022 powerpoint resource to guide students to complete learning aim c of btec sport level 2 unit 2 practical performance in sport includes examples of checklists that can be adapted for student use

**btec national level 3 in sport collins** - Feb 11 2023

web evidence that an observation checklist has been used to assess your own technical and tactical ability in a competitive situation for a selected sport identifying p4 and explaining m3 your own strengths and areas for improvement

[michelin atlanta map viamichelin](#) - Jan 26 2023

web atlanta is located in united states georgia atlanta find detailed maps for united states georgia atlanta on viamichelin along with road traffic the option to book accommodation and view information on michelin restaurants for atlanta

**download atlanta maps for downtown buckhead metro atlanta** - Aug 01 2023

web this area captures several of atlanta s great attractions that are closer to the interstates for easier visitor access download map view or download atlanta maps including airport maps downtown maps buckhead maps and more

[maps and gis geographic information system atlanta ga](#) - Feb 12 2022

web property info interactive map planning viewer interactive map zoning maps on arcgis lot boundary cadastral maps static maps archives download gis data atl council redistricting map listen npu maps static pdfs npus with council districts npus with zip codes npus with police zones listen

*atlanta history population facts map points of interest* - Oct 23 2022

web 1 day ago atlanta capital city of the u s state of georgia it lies in the foothills of the blue ridge mountains in the northwestern part of the state just southeast of the chattahoochee river it is georgia s largest city and the principal trade and transportation center of the southeastern united states

*atlanta map fulton georgia usa mapcarta* - Apr 28 2023

web openstreetmap org atlantaga gov wikivoyage wikipedia photo mmann1988 cc by sa 3 0 photo david cole cc by 3 0 popular destinations decatur photo lincolnh cc by sa 3 0 decatur is a city that despite being somewhat isolated from the rest of atlanta is so close to georgia s state capital as to not really be separate downtown atlanta

[map of the state of georgia usa nations online project](#) - Mar 16 2022

web feb 11 2023 the detailed map shows the us state of georgia with state boundaries the location of the capital atlanta major cities and populated places rivers and lakes interstate highways principal highways railroads and major airports you are free to use the above map for educational and similar purposes if you publish it online or in print you

*atlanta ga map directions mapquest* - Oct 03 2023

web atlanta map atlanta is the capital and most populous city in the u s state of georgia according to the 2010 census atlanta s population is 420 003 the atlanta metropolitan area with 5 268 860 people is the third largest in the southern united states and the ninth largest in the country

*atlanta map the atlanta tourist* - Apr 16 2022

web the area of atlanta georgia is a large area within itself then if you add in the metro atlanta area also referred to as atlanta metropolitan the area is even bigger the city of atlanta georgia contains many areas also referred to as neighborhoods each neighborhood has its own map to explore with individual things read more read more

*official atlanta guide for travelers and locals discover atlanta* - Jul 20 2022

web hyatt centric buckhead buckhead stay in touch ready to discover more about atlanta sign up for email updates take a peek inside any or all of atlanta s visitor guides grab your guide toggle on the map or buttons below to explore each area and discover more atlanta neighborhoods

**atlanta ga google my maps** - Sep 02 2023

web atlanta ga atlanta ga sign in open full screen to view more this map was created by a user learn how to create your own

**atlanta area map u s news travel** - Sep 21 2022

web map of atlanta area showing travelers where the best hotels and attractions are located

*greater atlanta area google my maps* - May 18 2022

web greater atlanta area greater atlanta area sign in open full screen to view more this map was created by a user learn how to create your own greater atlanta area greater

searchable map of atlanta georgia nations online project - Feb 24 2023

web satellite view and map of the city of atlanta georgia skyline of atlanta georgia with the prominent skyscrapers of at t midtown center left next to the 312 m bank of america plaza in foreground image arashboz about atlanta the satellite view shows atlanta the capital and most populous city of the state of georgia in the united states

**atlanta map georgia gis geography** - Dec 25 2022

web oct 14 2023 with a population of about 500 000 people it s also the capital city of georgia this atlanta map is a comprehensive guide to all of the neighborhoods attractions and sights atlanta has to offer for general highway information take a look at our georgia road map download interstate highways i 20 i 75 i 85 i 285

**bing maps directions trip planning traffic cameras more** - Mar 28 2023

web discover places to visit and explore on bing maps like atlanta georgia get directions find nearby businesses and places and much more

*atlanta maps georgia u s maps of atlanta world maps* - Jun 30 2023

web oct 16 2023 large detailed street map of atlanta 4856x4395px 10 7 mb go to map

*atlanta wikipedia* - May 30 2023

web atlanta æ t ' l æ n t ə at lan t ə or æ t ' l æ n ə at lan ə is the capital and most populous city of the u s state of georgia it is the seat of fulton county although a portion of the city extends into neighboring dekalb county with a population of 498 715 living within the city limits atlanta is the eighth most populous city in the southeast and 38th most

**georgia maps facts world atlas** - Jun 18 2022

web oct 2 2023 key facts georgia is located in the southeastern region of the united states and covers an area of 59 425 sq mi making it the 24th largest state in the united states it shares borders with tennessee to the north north carolina and south carolina to the northeast and east florida to the south and alabama to the west

*atlanta attractions map visit a city* - Aug 21 2022

web interactive map of atlanta with all popular attractions world of coca cola georgia aquarium martin luther king jr national historic site and more take a look at our detailed itineraries guides and maps to help you plan your trip to atlanta

*large detailed street map of atlanta world maps* - Nov 23 2022

web oct 4 2023 large detailed street map of atlanta description this map shows streets roads rivers houses buildings hospitals parking lots shops churches stadiums railways railway stations gardens forests and parks in atlanta author ontheworldmap com