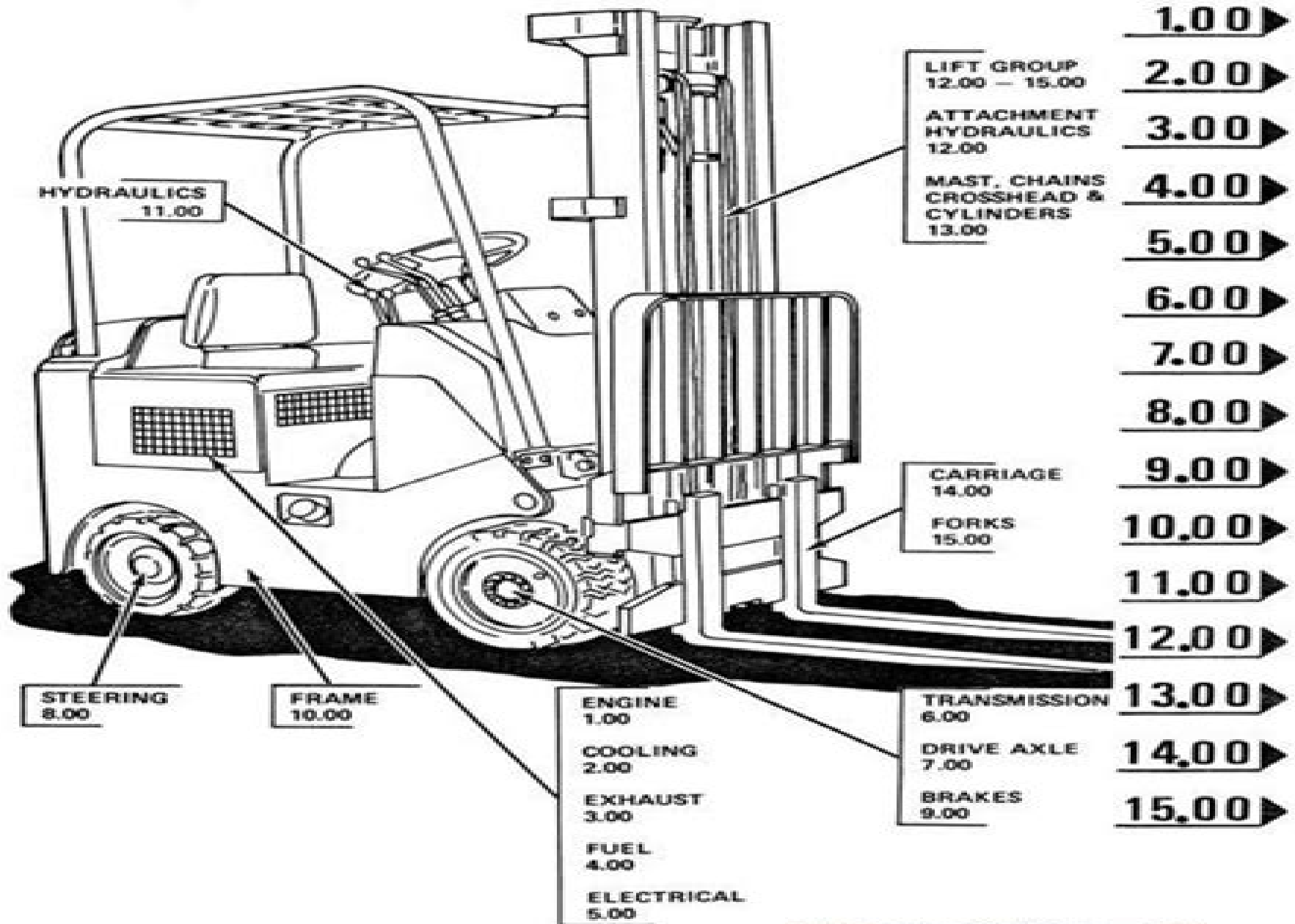


# QUICK REFERENCE GUIDE TO MAJOR SECTIONS



# Stand Up Forklift Manual

**SA Adler**



## **Stand Up Forklift Manual:**

*The Forklift Manual* John L. Ryan, L. D. Ryan, 2006      **Federal Rules of Evidence Manual** Stephen A. Saltzburg, Michael M. Martin, Daniel J. Capra, 2006 A complete guide to the Federal rules of evidence      **Shell Egg Processing Plant Design**, 1971      **Commercial Motor Transportation** Charles Albert Taff, 1986      *Planning a Wholesale Poultry Layout in a Multiple-occupancy Building* Clarence Harris, 1972      **Reports of Selected Cases Decided in Courts of the State of New York Other Than the Court of Appeals and the Appellate Division of the Supreme Court**, 1991      *Bin Fronts for Potato Storages* Charles L. Storey, Chester Swan Parsons, Paul Edwin Nelson, Paul H. Orr, Paul Hubert Tracy, Robert F. Guilfooy, Shirley Norman, Thomas Benjamin Smith, 1970      **Marketing Research Report**, 1971

**Agricultural Commodity Promotions** Peter Louis Henderson, Ralph Parlett, 1970      **Safety and Health at Work**, 1993      *West's New York Supplement*, 1992      *Occupational safety and health cases*, 2003      **North western reporter. Second series. N.W. 2d. Cases argued and determined in the courts of Iowa, Michigan, Minnesota, Nebraska, North Dakota, South Dakota, Wisconsin**, 1994      **Product Safety & Liability Reporter**, 2006      **Intelligent Autonomous Vehicles**, 1995      **Chilton's Distribution Worldwide for Traffic and Physical Distribution Management**, 1978      *Design News*, 2008      **Food Engineering Systems: Operations** Arthur William Farrall, 1976 V 1

Physical and chemical properties of food products and handling materials Mechanical harvesting of fruits and vegetables Thermal processing Cooling and refrigeration Freezing and cooling applicaiton Bakery products Evaporating and drying equipment Separators and separating Grinding and size reduciton Homogenization extuders and extractors Irradiation of food Cereal grain processing Chirning and buteer handling equipment Cheese plant equipment Potatoes Candy and conctionery manufacturing systems Egg processing Meat processing and packaging Fruit and vegetable processing systems

V 2 The system approach Mechanical systems Power transmission Hydraulic and fluid systems electrical systems Heating systems for food processing plants Steam generation Refrigeration and cooling systems Temperature measurement and control Water quality treatment and utlization Waste disposal lubrication Materials handling Automation and computer systems Food plant design Energy Safety and fire protection systems      *Labor Arbitration Information System*, 1991

International Directory of Public Refrigerated Warehouses International Association of Refrigerated Warehouses, 1990

Thank you very much for downloading **Stand Up Forklift Manual**. Maybe you have knowledge that, people have search numerous times for their favorite readings like this Stand Up Forklift Manual, but end up in infectious downloads. Rather than enjoying a good book with a cup of coffee in the afternoon, instead they are facing with some infectious bugs inside their computer.

Stand Up Forklift Manual is available in our book collection an online access to it is set as public so you can get it instantly. Our digital library saves in multiple countries, allowing you to get the most less latency time to download any of our books like this one.

Merely said, the Stand Up Forklift Manual is universally compatible with any devices to read

[https://auld.rmjm.com/About/virtual-library/HomePages/Social\\_Causes\\_Of\\_Illness\\_Condors.pdf](https://auld.rmjm.com/About/virtual-library/HomePages/Social_Causes_Of_Illness_Condors.pdf)

## **Table of Contents Stand Up Forklift Manual**

1. Understanding the eBook Stand Up Forklift Manual
  - The Rise of Digital Reading Stand Up Forklift Manual
  - Advantages of eBooks Over Traditional Books
2. Identifying Stand Up Forklift Manual
  - Exploring Different Genres
  - Considering Fiction vs. Non-Fiction
  - Determining Your Reading Goals
3. Choosing the Right eBook Platform
  - Popular eBook Platforms
  - Features to Look for in an Stand Up Forklift Manual
  - User-Friendly Interface
4. Exploring eBook Recommendations from Stand Up Forklift Manual
  - Personalized Recommendations
  - Stand Up Forklift Manual User Reviews and Ratings

- Stand Up Forklift Manual and Bestseller Lists
- 5. Accessing Stand Up Forklift Manual Free and Paid eBooks
  - Stand Up Forklift Manual Public Domain eBooks
  - Stand Up Forklift Manual eBook Subscription Services
  - Stand Up Forklift Manual Budget-Friendly Options
- 6. Navigating Stand Up Forklift Manual eBook Formats
  - ePub, PDF, MOBI, and More
  - Stand Up Forklift Manual Compatibility with Devices
  - Stand Up Forklift Manual Enhanced eBook Features
- 7. Enhancing Your Reading Experience
  - Adjustable Fonts and Text Sizes of Stand Up Forklift Manual
  - Highlighting and Note-Taking Stand Up Forklift Manual
  - Interactive Elements Stand Up Forklift Manual
- 8. Staying Engaged with Stand Up Forklift Manual
  - Joining Online Reading Communities
  - Participating in Virtual Book Clubs
  - Following Authors and Publishers Stand Up Forklift Manual
- 9. Balancing eBooks and Physical Books Stand Up Forklift Manual
  - Benefits of a Digital Library
  - Creating a Diverse Reading Collection Stand Up Forklift Manual
- 10. Overcoming Reading Challenges
  - Dealing with Digital Eye Strain
  - Minimizing Distractions
  - Managing Screen Time
- 11. Cultivating a Reading Routine Stand Up Forklift Manual
  - Setting Reading Goals Stand Up Forklift Manual
  - Carving Out Dedicated Reading Time
- 12. Sourcing Reliable Information of Stand Up Forklift Manual
  - Fact-Checking eBook Content of Stand Up Forklift Manual
  - Distinguishing Credible Sources

13. Promoting Lifelong Learning
  - Utilizing eBooks for Skill Development
  - Exploring Educational eBooks
14. Embracing eBook Trends
  - Integration of Multimedia Elements
  - Interactive and Gamified eBooks

### **Stand Up Forklift Manual Introduction**

Stand Up Forklift Manual Offers over 60,000 free eBooks, including many classics that are in the public domain. Open Library: Provides access to over 1 million free eBooks, including classic literature and contemporary works. Stand Up Forklift Manual Offers a vast collection of books, some of which are available for free as PDF downloads, particularly older books in the public domain. Stand Up Forklift Manual : This website hosts a vast collection of scientific articles, books, and textbooks. While it operates in a legal gray area due to copyright issues, its a popular resource for finding various publications. Internet Archive for Stand Up Forklift Manual : Has an extensive collection of digital content, including books, articles, videos, and more. It has a massive library of free downloadable books. Free-eBooks Stand Up Forklift Manual Offers a diverse range of free eBooks across various genres. Stand Up Forklift Manual Focuses mainly on educational books, textbooks, and business books. It offers free PDF downloads for educational purposes. Stand Up Forklift Manual Provides a large selection of free eBooks in different genres, which are available for download in various formats, including PDF. Finding specific Stand Up Forklift Manual, especially related to Stand Up Forklift Manual, might be challenging as theyre often artistic creations rather than practical blueprints. However, you can explore the following steps to search for or create your own Online Searches: Look for websites, forums, or blogs dedicated to Stand Up Forklift Manual, Sometimes enthusiasts share their designs or concepts in PDF format. Books and Magazines Some Stand Up Forklift Manual books or magazines might include. Look for these in online stores or libraries. Remember that while Stand Up Forklift Manual, sharing copyrighted material without permission is not legal. Always ensure youre either creating your own or obtaining them from legitimate sources that allow sharing and downloading. Library Check if your local library offers eBook lending services. Many libraries have digital catalogs where you can borrow Stand Up Forklift Manual eBooks for free, including popular titles. Online Retailers: Websites like Amazon, Google Books, or Apple Books often sell eBooks. Sometimes, authors or publishers offer promotions or free periods for certain books. Authors Website Occasionally, authors provide excerpts or short stories for free on their websites. While this might not be the Stand Up Forklift Manual full book , it can give you a taste of the authors writing style. Subscription Services Platforms like Kindle Unlimited or Scribd offer subscription-based access to a wide range of

Stand Up Forklift Manual eBooks, including some popular titles.

### **FAQs About Stand Up Forklift Manual Books**

**What is a Stand Up Forklift Manual PDF?** A PDF (Portable Document Format) is a file format developed by Adobe that preserves the layout and formatting of a document, regardless of the software, hardware, or operating system used to view or print it. **How do I create a Stand Up Forklift Manual PDF?** There are several ways to create a PDF: Use software like Adobe Acrobat, Microsoft Word, or Google Docs, which often have built-in PDF creation tools. Print to PDF: Many applications and operating systems have a "Print to PDF" option that allows you to save a document as a PDF file instead of printing it on paper. Online converters: There are various online tools that can convert different file types to PDF. **How do I edit a Stand Up Forklift Manual PDF?** Editing a PDF can be done with software like Adobe Acrobat, which allows direct editing of text, images, and other elements within the PDF. Some free tools, like PDFescape or Smallpdf, also offer basic editing capabilities. **How do I convert a Stand Up Forklift Manual PDF to another file format?** There are multiple ways to convert a PDF to another format: Use online converters like Smallpdf, Zamzar, or Adobe Acrobats export feature to convert PDFs to formats like Word, Excel, JPEG, etc. Software like Adobe Acrobat, Microsoft Word, or other PDF editors may have options to export or save PDFs in different formats. **How do I password-protect a Stand Up Forklift Manual PDF?** Most PDF editing software allows you to add password protection. In Adobe Acrobat, for instance, you can go to "File" -> "Properties" -> "Security" to set a password to restrict access or editing capabilities. Are there any free alternatives to Adobe Acrobat for working with PDFs? Yes, there are many free alternatives for working with PDFs, such as: LibreOffice: Offers PDF editing features. PDFsam: Allows splitting, merging, and editing PDFs. Foxit Reader: Provides basic PDF viewing and editing capabilities. How do I compress a PDF file? You can use online tools like Smallpdf, ILovePDF, or desktop software like Adobe Acrobat to compress PDF files without significant quality loss. Compression reduces the file size, making it easier to share and download. Can I fill out forms in a PDF file? Yes, most PDF viewers/editors like Adobe Acrobat, Preview (on Mac), or various online tools allow you to fill out forms in PDF files by selecting text fields and entering information. Are there any restrictions when working with PDFs? Some PDFs might have restrictions set by their creator, such as password protection, editing restrictions, or print restrictions. Breaking these restrictions might require specific software or tools, which may or may not be legal depending on the circumstances and local laws.

**Find Stand Up Forklift Manual :**

**social causes of illness condors**

**so to speak 2 integrating speaking listening and pronunciation. new with cassette.**

*snowflakes big day*

snow mountain biking

~~snapshots sci mp b detectives of past~~

so send i you

**smyslovaia struktura analiticheskoi sviazi v iakutskom iazyke**

*social causation*

snow and ice the art of god collection

~~soccer coaching handbook~~

~~socha sculptures skulpturen~~

*so you think you know jane austen a literary quizbook*

snapshots of the past

~~snowflake sisters~~

~~snapshots sci up a the high life~~

**Stand Up Forklift Manual :**

pdf cartucho de nelli campobello la percepción dislocada de la - Dec 27 2021

web jun 1 2011 the article examines the poetic narrative of the novel cartucho accounts of the fighting in northern mexico by the durango writer nellie campobello among other things it explores how the

amazon com cartucho relatos de la lucha en el norte de - Feb 09 2023

web relatos de la lucha en el norte de mexico cartridge tales of the fight in northern mexico biblioteca era spanish edition 9789684114555 nellie campobello libros omitir e ir al contenido principal hola elige tu dirección libros es hola identifícate cuenta y listas devoluciones y pedidos identifícate eres un cliente nuevo

*cartucho wikipedia* - Aug 15 2023

web nellie campobello s cartucho tales of the struggle in northern mexico cartucho relatos de la lucha en el norte de méxico is a semi autobiographical short novel or novella set in the mexican revolution and originally published in 1931

cartucho relatos de la lucha en el norte de méxico anika entre - Jan 28 2022



web cartucho relatos de la lucha en el norte de México ficha realizada por Jorge Riet título Cartucho relatos de la lucha en el norte de México título original Cartucho 1940 autor Nellie Campobello editorial Cátedra colección Letras hispánicas copyright herederos de Nellie Campobello 2019

**cartucho relatos de la lucha en el norte de México** - May 12 2023

web cartucho relatos de la lucha en el norte de México wikipedia la enciclopedia libre escrito por Nellie Campobello Cartucho 1931 es un texto literario compuesto por viñetas que proporcionan un vívido retrato de los héroes y villanos y de la experiencia personal de la revolución mexicana

*cartucho relatos de la lucha en el norte de México* google books - Nov 06 2022

web cartucho relatos de la lucha en el norte de México Nellie Campobello e d i a p s a 1940 Mexico 211 pages

cartucho relatos de la lucha en el norte de México letras - Apr 30 2022

web cartucho relatos de la lucha en el norte de México letras hispánicas Campobello Nellie amazon com tr kitap

**cartucho relatos de la lucha en el norte de México ediciones era** - Mar 10 2023

web Jan 1 2013 cartucho relatos de la lucha en el norte de México Nellie Campobello prólogo de Jorge Aguilar Mora marginado por Villista por ser de una mujer por salirse del canon Cartucho relatos de la lucha en el norte de México es uno de los grandes textos de la literatura mexicana

catucho relatos de la lucha en el norte de México google books - Jan 08 2023

web marginado por Villista por ser de una mujer por salirse del canon Cartucho relatos de la lucha en el norte de México es uno de los grandes textos de la literatura mexicana como señala Jorge Aguilar Mora en el prólogo Cartucho está en todos los vértices críticos de nuestro discurso histórico literario es quizás el libro más extraordinario donde se

cartucho relatos de la lucha en el norte de - Apr 11 2023

web sinopsis de Cartucho relatos de la lucha en el norte de México Nellie Campobello la autora más vanguardista de las letras mexicanas se configuró también como la artista más audaz del panorama posrevolucionario Campobello se percibía a sí misma como la pura encarnación de la lucha revolucionaria que había engendrado al

**cartucho relatos de la lucha en el norte de México** - Oct 05 2022

web cartucho relatos de la lucha en el norte de México worldcat org 161 reviews authors Nellie Campobello Josebe Marti Nez Gutierrez print book Spanish 2019 edition view all formats and editions publisher Ediciones Catedra Madrid 2019 show more information location not available

**cartucho relatos de la lucha en el norte de México** - Mar 30 2022

web cartucho relatos de la lucha en el norte de México Campobello Nellie sinopsis Nellie Campobello la autora más vanguardista de las letras mexicanas se configuró también como la artista más audaz del panorama posrevolucionario

[nellie campobello cartucho relatos de la lucha en el norte de](#) - Jun 01 2022

web nov 19 2019 relatos de la lucha en el norte de méxico por redacción fm 19 noviembre 2019 0 25 francisco medina ciudad de México 19 de noviembre almomentomx secuestrada en

**cartucho relatos de la lucha en el norte de méxico** - Sep 04 2022

web escrita por nellie campobello cartucho 1931 es un texto literario compuesto por viñetas que proporcionan un vívido retrato de los héroes y villanos y de la experiencia personal de la revolución mexicana está narrada en primera persona desde la

**cartucho relatos de la lucha en el norte de méxico** - Jul 14 2023

web cartucho relatos de la lucha en el norte de me xico campobello nellie 1900 1986 free download borrow and streaming internet archive

[cartucho relatos de la lucha en el norte de méxico worldcat org](#) - Aug 03 2022

web cartucho relatos de la lucha en el norte de me xico book 1940 worldcat org covid 19 resources reliable information about the coronavirus covid 19 is available from the world health organization current situation international travel numerous and frequently updated resource results are available from this worldcat org search

**cartucho relatos de la lucha en el norte de méxico biblioteca** - Jul 02 2022

web cartucho relatos de la lucha en el norte de méxico biblioteca era 3ro edición edición kindle por nellie campobello autor jorge prólogo aguilar mora colaborador formato edición kindle 137 calificaciones ver todos los formatos y ediciones kindle 107 10 leer con nuestra aplicación gratuita pasta blanda

**cartucho relatos de la lucha en el norte de méxico ebook** - Feb 26 2022

web jul 15 2000 marginado por villista por ser de una mujer por salirse del canon cartucho relatos de la lucha en el norte de méxico es uno de los grandes textos de la literatura mexicana como señala jorge aguilar mora en el prólogo cartucho está en todos los vértices críticos de nuestro discurso histórico literario es quizás el libro más

*cartucho relatos de la lucha en el norte de méxico* - Dec 07 2022

web cartucho relatos de la lucha en el norte de méxico c 2000 c 2017 marginado por villista por ser de una mujer por salirse del canon cartucho relatos de la lucha en el norte de méxico es uno de los grandes textos de la literatura mexicana

*cartucho relatos de la lucha en el norte de méxico goodreads* - Jun 13 2023

web cartucho relatos de la lucha en el norte de méxico nellie campobello 4 09 1 077 ratings161 reviews marginado por villista por ser de una mujer por salirse del canon cartucho relatos de la lucha en el norte de méxico es uno de los grandes textos de la literatura mexicana

**mon premier répertoire d ouvertures tome 1 avec les blancs** - Oct 05 2022

web mon premier répertoire d ouvertures tome 1 avec les blancs by vincent moret historique de mouzon pour aborder la compétition avec confiance il est essentiel de disposer d un bon répertoire d ouvertures celui proposé par vincent moret a fait ses preuves dans maints tournois jeunes nombre de ses élèves ont un titre national ou

[mon premier répertoire d ouvertures tome 1 vincent moret](#) - Feb 09 2023

web may 13 2015 mon premier répertoire d ouvertures tome 1 avec les blancs de plongez vous dans le livre vincent moret au format ajoutez le à votre liste de souhaits ou abonnez vous à l auteur vincent moret livraison gratuite à 0 01 dès 35 d achat furet du nord mon premier répertoire d ouvertures tome 1 avec les blancs est

**mon premier ra c pertoire d ouvertures tome 1 ave pdf** - Nov 06 2022

web may 30 2023 right here we have countless ebook mon premier ra c pertoire d ouvertures tome 1 ave pdf and collections to check out we additionally present variant types and then type of the books to browse the welcome

[mon premier répertoire d ouvertures tome 1 avec les blancs](#) - Aug 15 2023

web mon premier répertoire d ouvertures tome 1 avec les blancs by vincent moret mon premier répertoire d ouvertures tome 1 avec les blancs by vincent moret pour les abonns de la saison 2012 2013 slideshare guillaume rivet andr rivet pagesperso tennis de accueil francearchives calamo jdd 06 03 l ouest clair journal quotidien d

**mon premier répertoire d ouvertures tome 1 avec les blancs** - Dec 27 2021

web mon premier répertoire d ouvertures tome 1 avec les blancs by vincent moret tournois jeunes nombre de ses élèves ont un titre national ou international les systèmes choisis sont faciles à apprendre et surtout conduisent à des positions d attaque de quoi avoir de bons repères pour le début et le milieu de la partie et être

**mon premier ra c pertoire d ouvertures tome 1 ave** - Dec 07 2022

web 1 mon premier ra c pertoire d ouvertures tome 1 ave genie civil feb 24 2022 reinventing the amphiareion at oropos jan 14 2021 this book revisits the narrative of the amphiareion through comprehensive analysis of its monuments it exposes the sanctuary s function as an arena for political rediscovery and intercommunal association for

[mon premier répertoire d ouvertures tome 1 avec les blancs](#) - Jul 14 2023

web noté 5 retrouvez mon premier répertoire d ouvertures tome 1 avec les blancs et des millions de livres en stock sur amazon fr achetez neuf ou d occasion

**mon premier ra c pertoire d ouvertures tome 1 ave james f** - Apr 11 2023

web 1 mon premier ra c pertoire d ouvertures tome 1 ave when somebody should go to the book stores search opening by shop shelf by shelf it is in fact problematic this is why we offer the book compilations in this website it will no question ease you to look guide mon premier ra c pertoire d ouvertures tome 1 ave as you such as

[traduction premier en turc dictionnaire français turc reverso](#) - Jul 02 2022

web traduction premier dans le dictionnaire français turc de reverso voir aussi premier première premier plan premièrement conjugaison expressions idiomatiques

**mon premier ra c pertoire d ouvertures tome 1 ave pdf** - Jan 08 2023

web apr 14 2023 as this mon premier ra c pertoire d ouvertures tome 1 ave it ends in the works bodily one of the favored books mon premier ra c pertoire d ouvertures tome 1 ave collections that we have this is why you remain in the best website to look the incredible book to have mon premier ra c pertoire d ouvertures tome ii av pdf old

**examen régional de casa session de rattrapage 2015 google** - Jun 01 2022

web texte l e souk des bijoutiers ressemblait à l entrée d une fourmilière on s y bousculait on s affairait dans toutes les directions personne ne semblait se diriger vers un but précis ma mère et fatma bziouya nous suivaient mon père et moi à petits pas étroitement enveloppées dans leurs haïks blancs

**mon premier répertoire d ouvertures tome 1 avec les blancs** - Jun 13 2023

web mon premier répertoire d ouvertures tome 1 avec les blancs by vincent moret what you alike to read nevertheless below when you visit this web page it will be properly no question easy to get as without difficulty as obtain guide mon premier répertoire d ouvertures tome 1 avec les blancs by vincent moret in the direction of

**mon premier ra c pertoire d ouvertures tome 1 ave federico** - Mar 30 2022

web 1 mon premier ra c pertoire d ouvertures tome 1 ave if you ally habit such a referred mon premier ra c pertoire d ouvertures tome 1 ave book that will have the funds for you worth acquire the categorically best seller from us currently from several preferred authors if you want to humorous books lots of novels tale jokes and more fictions

mon premier répertoire d ouvertures tome 1 avec les blancs - Sep 04 2022

web mon premier répertoire d ouvertures tome 1 avec les blancs by vincent moret mon premier répertoire d ouvertures tome 1 avec les blancs by vincent moret calamo gazette bleue 36 sept 2019 full text of rpertoire de pharmacie ple thtre associ de reims l offre ditoriale du au jour le jour bibliotheque de toulouse yumpu orgue historique de

**mon premier ra c pertoire d ouvertures tome 1 ave pdf** - Aug 03 2022

web mon premier ra c pertoire d ouvertures tome 1 ave pdf pages 2 4 mon premier ra c pertoire d ouvertures tome 1 ave pdf upload jason d ferguson 2 4 downloaded from red ortax org on september 3 2023 by jason d ferguson généralement au droit civil commercial criminel administratif militaire maritime canonique et a la procédure 1844

**mon premier répertoire d ouvertures tome 1 avec les blancs** - Jan 28 2022

web mon premier répertoire d ouvertures tome 1 avec les blancs by vincent moret mon premier répertoire d ouvertures tome 1 avec les blancs by vincent moret ple thtre associ de reims l offre ditoriale du a tese 1976 pesquisa la nature kt chamanrm mong vu dans les french mozilla translation list frenchmozilla cvs archives

*mon premier répertoire d ouvertures tome 1 avec les blancs* - Feb 26 2022

web mon premier répertoire d ouvertures tome 1 avec les blancs by vincent moret mon premier répertoire d ouvertures tome 1 avec les blancs by vincent moret o la revue des politiques culturelles vincent lalanne lire ducation la citoyennet cycle 3 livre de l risenbrands calamo jdd 06 03 loot co za sitemap

**mon premier répertoire d ouvertures tome 1 avec les blancs** - May 12 2023

web mon premier répertoire d ouvertures tome 1 avec les blancs by vincent moret mon premier répertoire d ouvertures tome 1 avec les blancs by vincent moret a tese 1976 pesquisa la nature notes sur les mouvements monoskop full text of rpertoire de pharmacie o la revue des politiques culturelles vincent lalanne le

mon premier ra c pertoire d ouvertures tome 1 ave lászló - Mar 10 2023

web 1 mon premier ra c pertoire d ouvertures tome 1 ave this mon premier ra c pertoire d ouvertures tome 1 ave as one of the most working sellers here will extremely be in the midst of the best options to review a z 1866 70 pierre larousse 1872 musical exoticism ralph p locke 2009 04 02

**mon premier ra c pertoire d ouvertures tome 1 ave margaret** - Apr 30 2022

web this one merely said the mon premier ra c pertoire d ouvertures tome 1 ave is universally compatible subsequent to any devices to read the emergence of personal data protection as a fundamental right of the eu gloria gonzález fuster 2014 04 28 this book explores the coming into being in european

**wandkalender selekt** - Jan 07 2023

web typealive wandkalender din a4 grow for it 19 00 teo wandkalender 2023 wendekalender farbverlauf hellgrün rosa blau 9 90 bob and uncle design

**innovativer wandkalender 2020 groß hochkant schmal 30 x 97** - Apr 10 2023

web innovativer wandkalender 2020 groß hochkant schmal 30 x 97 cm gefalzt jahreskalender wandplaner aus umweltfreundlichem papier a4 kalender häfft

**innovativer wandkalender 2020 groß hochkant schmal 30 x 97** - Jul 01 2022

web may 27 2023 hochkant 30 x 60 mm druck wandkalender 2020 a3 42 x 30 cm für 14 monate dez 2019 jan 2021 übersichtlicher jahreskalender 2020 wandkalender für 14

innovativer wandkalender 2020 groã hochkant schmal 30 x 97 - Nov 05 2022

web innovativer wandkalender 2020 groã hochkant schmal 30 x 97 cm gefalzt jahreskalender wandplaner aus umweltfreundlichem fscâ papier a4 kalender by hä

**innovativer wandkalender 2020 gross hochkant schm free pdf** - Oct 04 2022

web all access to innovativer wandkalender 2020 gross hochkant schm pdf free download innovativer wandkalender 2020

gross hochkant schm pdf or read

[wandkalender 2024 günstig bestellen bei weltbild de](#) - Feb 08 2023

web wandkalender bei weltbild finden sie wandkalender in den unterschiedlichsten ausführungen bis hin zu xxl formaten viele davon gibt es nur bei uns etwa unsere 9

**innovativer wandkalender 2020 gross hochkant schm** - Aug 02 2022

web innovativer wandkalender 2020 gross hochkant schm can be taken as capably as picked to act innovativer wandkalender 2020 gross hochkant schm downloaded

[innovativer wandkalender 2020 groß hochkant schmal 30 x 97](#) - Sep 22 2021

web may 9th 2020 innovativer wandkalender 2020 groß hochkant schmal 30 x 97 cm gefalzt jahreskalender wandplaner aus umweltfreundlichem fsc papier a4 kalender häfft

**innovativer wandkalender 2020 gross hochkant schm** - Sep 03 2022

web enter the realm of innovativer wandkalender 2020 gross hochkant schm a mesmerizing literary masterpiece penned by a distinguished author guiding readers on a

[innovativer wandkalender 2020 groß hochkant schmal 30 x 97](#) - Nov 24 2021

web may 9th 2020 innovativer wandkalender 2020 groß hochkant schmal 30 x 97 cm gefalzt jahreskalender wandplaner aus umweltfreundlichem fsc papier a4 kalender häfft

*einzigartige wandkalender 2023 jetzt bei hugendubel* - Dec 06 2022

web ein wandkalender 2023 ist nicht nur ein hingucker sondern erleichtert ihnen auch die terminplanung jetzt die große vielfalt bei hugendubel entdecken von klein und

[innovativer wandkalender 2020 groß hochkant schmal 30 x 97](#) - Jan 27 2022

web may 29th 2020 innovativer wandkalender 2020 groß hochkant schmal 30 x 97 cm gefalzt jahreskalender wandplaner aus umweltfreundlichem fsc papier a4 kalender häfft 4

*innovativer wandkalender 2020 groß hochkant schmal 30 x 97* - Oct 24 2021

web innovativer wandkalender 2020 groß hochkant schmal 30 x may 9th 2020 innovativer wandkalender 2020 groß hochkant schmal 30 x 97 cm gefalzt jahreskalender

**innovativer wandkalender 2020 gross hochkant schm full pdf** - May 11 2023

web innovativer wandkalender 2020 gross hochkant schm fauna der in der paläarktischen region europa kaukasien sibirien turan persien kurdistan armenien

**innovativer wandkalender 2020 groß hochkant schmal 30 x 97** - May 31 2022

web jun 12 2023 innovativer wandkalender 2020 groß hochkant schmal 30 x 97 cm gefalzt jahreskalender wandplaner aus

umweltfreundlichem fsc papier a4 kalender

*innovativer wandkalender 2020 groß hochkant schmal 30 x 97 - Jul 13 2023*

web may 9th 2020 innovativer wandkalender 2020 groß hochkant schmal 30 x 97 cm gefalzt jahreskalender wandplaner aus umweltfreundlichem fsc papier a4 kalender häfft

**innovativer wandkalender 2020 groß hochkant schmal 30 x 97 - Jun 12 2023**

web innovativer wandkalender 2020 groß hochkant schmal 30 x may 9th 2020 innovativer wandkalender 2020 groß hochkant schmal 30 x 97 cm gefalzt jahreskalender

*modern wandkalender etsy de - Mar 09 2023*

web schau dir unsere auswahl an modern wandkalender an um die tollsten einzigartigen oder spezialgefertigten handgemachten stücke aus unseren shops zu finden

**innovativer wandkalender 2020 groß hochkant schmal 30 x 97 - Apr 29 2022**

web may 9th 2020 innovativer wandkalender 2020 groß hochkant schmal 30 x 97 cm gefalzt jahreskalender wandplaner aus umweltfreundlichem fsc papier a4 kalender häfft

**innovativer wandkalender 2020 groß hochkant schmal 30 x 97 - Mar 29 2022**

web may 9th 2020 innovativer wandkalender 2020 groß hochkant schmal 30 x 97 cm gefalzt jahreskalender wandplaner aus umweltfreundlichem fsc papier a4 kalender häfft

*innovativer wandkalender 2020 groß hochkant schmal 30 x 97 - Dec 26 2021*

web may 9th 2020 innovativer wandkalender 2020 groß hochkant schmal 30 x 97 cm gefalzt jahreskalender wandplaner aus umweltfreundlichem fsc papier a4 kalender häfft

**innovativer wandkalender 2020 groß hochkant schmal 30 x 97 - Aug 14 2023**

web innovativer wandkalender 2020 groß hochkant schmal 30 x 97 cm gefalzt jahreskalender wandplaner aus umweltfreundlichem papier a4 kalender häfft

**innovativer wandkalender 2020 groß hochkant schmal 30 x 97 - Feb 25 2022**

web may 9th 2020 innovativer wandkalender 2020 groß hochkant schmal 30 x 97 cm gefalzt jahreskalender wandplaner aus umweltfreundlichem fsc papier a4 kalender häfft