

Kia Amanti 2005-2010 Workshop Manual

COMPONENTS



TORQUE (N.m)(ft.lbs.)(ft.-lb.)

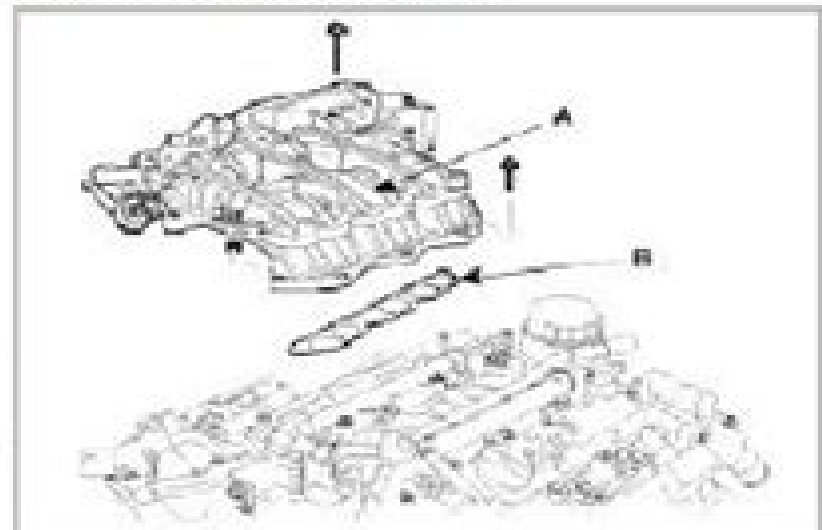
- | | |
|-------------------|---------------------------------|
| 1. Piston ring | 6. Connecting rod lower bearing |
| 2. Piston pin | 7. Connecting rod bearing cap |
| 3. Piston | 8. Buffer plate |
| 4. Connecting rod | 9. Upper oil pan |
| 5. Piston pin | 10. Cylinder block |

Remove the connector bracket (A) from surge tank



[PDF Download](#)

Remove the surge tank (A).



Kia Amanti Repair Manual

Joe L. Hamilton, John Harold Haynes



Kia Amanti Repair Manual:

Lemon-Aid Used Cars and Trucks 2009-2010 Phil Edmonston, 2009-02-16 For the first time in one volume Phil Edmonston Canada's automotive Dr Phil covers all used vehicles packing this guide with insider tips to help the consumer make the safest and cheapest choice possible from cars and trucks of the past 25 years **Lemon-Aid Used Cars and Trucks 2011-2012** Phil Edmonston, 2011-04-25 As Toyota skids into an ocean of problems and uncertainty continues in the U S automotive industry Lemon Aid Used Cars and Trucks 2011/2012 shows buyers how to pick the cheapest and most reliable vehicles from the past 30 years Lemon Aid guides are unlike any other car and truck books on the market Phil Edmonston Canada's automotive Dr Phil for 40 years pulls no punches Like five books in one Lemon Aid Used Cars and Trucks is an expos of car scams and gas consumption lies a do it yourself service manual an independent guide that covers beaters lemons and collectibles an archive of secret service bulletins granting free repairs and a legal primer that even lawyers can't beat Phil delivers the goods on free fixes for Chrysler Ford and GM engine transmission brake and paint defects lets you know about Corvette and Mustang tops that fly off gives the lowdown on Honda Hyundai and Toyota engines and transmissions and provides the latest information on computer module glitches **Lemon-Aid Used Cars and Trucks 2012-2013** Phil Edmonston, 2012-05-19 Lemon Aid guides steer the confused and anxious buyer through the economic meltdown unlike any other car and truck books on the market U S automakers are suddenly awash in profits and South Koreans and Europeans have gained market shares while Honda Nissan and Toyota have curtailed production following the 2011 tsunami in Japan Shortages of Japanese new cars and supplier disruptions will likely push used car prices through the roof well into 2012 so what should a savvy buyer do The all new Lemon Aid Used Cars and Trucks 2012 2013 has the answers including More vehicles rated with some redesigned models that don't perform as well as previous iterations downrated More roof crash worthiness ratings along with an expanded cross border shopping guide A revised summary of safety and performance related defects that are likely to affect rated models More helpful websites listed in the appendix as well as an updated list of the best and worst beaters on the market More secret warranties taken from automaker internal service bulletins and memos than ever *Edmunds New Cars & Trucks Buyer's Guide 2006 Annual* Editors at Edmunds.com, 2005-12-27 For more than 39 years millions of consumers have turned to Edmunds buyer's guides for their shopping needs This format makes it easy for consumers to get the advice and information they need to purchase their next new vehicle Readers benefit from features such as Comprehensive vehicle reviews Easy to use charts rate competitive vehicles in popular market segments In depth advice on buying and leasing Editors and consumers ratings High quality photography Editors Most Wanted picks in 27 vehicle categories In addition to these features vehicle shoppers can benefit from the best that they've come to expect from the Edmunds name Crash test ratings from the National Highway Traffic Safety Administration and the Insurance Institute for Highway Safety Warranty information Information on most fuel efficient models and how to improve your fuel economy

Detailed explanation of how hybrid vehicles work Previews of future vehicles not yet for sale The Car Book 2005 Jack Gillis,2004 **Kia Sorento Automotive Repair Manual, 2003-13** Jeff Killingsworth,2013-10-01 This is a repair manual for the Kia Sorento 2003 13 model **Chilton Kia Sephia, Spectra & Sportage 1994-10 Repair Manual** Joe L. Hamilton,2011 Part of a series of manuals for car or motorcycle owners the Haynes Automotive Repair Manuals provide information on routine maintenance and repair with all tasks described photographed in a step by step sequence

Chilton's Kia Optima 2001-10 Repair Manual Mike Stubblefield,2012 This manual shows the reader how to repair the Kia Optima **Kia Sephia & Spectra Automotive Repair Manual** Joe L. Hamilton,John Harold Haynes,2005 **Automotive News** , Chilton's Kia Sephia & Spectra 1994-09 Repair Manual Joe L. Hamilton,2010 Covers all U S and Canadian models of Sephia 1994 through 2001 and Spectra 2000 through 2009 **Kia Sephia and Spectra** Joe L. Hamilton,2005-01-01 Covers U S and Canadian models of Kia Sephia 1994 through 2001 and Spectra 2000 through 2004 **Kia Sedona Automotive Repair Manual** ,2016-04 Kia Sedona, '02-'14 Haynes Publishing,2016-09-15 Complete coverage for your Kia Sedona for 2002 thru 2014 **Kia Sephia, Spectra and Sportage** J.J. Haynes,2011-08-15 Complete coverage for your Kia Sephia Spectra and Sportage covering Sephia 1994 thru 2001 Spectra 2000 thru 2009 and Sportage 2005 thru 2010 Routine Maintenance Tune up procedures Engine repair Cooling and heating Air Conditioning Fuel and exhaust Emissions control Ignition Brakes Suspension and steering Electrical systems Wiring diagrams With a Haynes manual you can do it yourself from simple maintenance to basic repairs Haynes writes every book based on a complete teardown of the vehicle We learn the best ways to do a job and that makes it quicker easier and cheaper for you Our books have clear instructions and hundreds of photographs that show each step Whether you re a beginner or a pro you can save big with Haynes Step by step procedures Easy to follow photos Complete troubleshooting section Valuable short cuts Color spark plug diagnosis

Chilton Asian Mechanical Service 2006 Chilton,2006-09 For Asian vehicles Kia Nissan The Chilton 2006 Asian Volume II Mechanical Service Manual provides updated coverage through 2005 models and even many 2006 models as made available from original equipment manufacturers OEMs Chilton is still your reliable source for fast accurate repairs and reassembly and it still provides the lowest priced professional repair manuals on the market This manual is organized by make model and system so information gathering is easier Now with even more illustrations and a streamlined index it s no wonder more automotive professionals turn to Chilton Professional Manuals for their mechanical service and repair information Benefits access up to date service and repair information covering model years 2002 2006 all logically arranged by manufacturer follow clear step by step procedures from drive train to chassis to yield fast accurate results service more mechanical systems including brakes engines suspensions steering and related components know what special tools are required for specific jobs as Chilton editors describe and illustrate them to make repair work go more smoothly **Glenn's Foreign Car Repair Manual** Harold T. Glenn,1963 **Kia Sedona 2002-14 Repair Manual** Jeff Killingsworth,2016

Valiant VE Max Ellery's vehicle repair manual Ellery Publications,1996

Motor Auto Repair Manual 1973 ,1972

Delve into the emotional tapestry woven by in Dive into the Emotion of **Kia Amanti Repair Manual** . This ebook, available for download in a PDF format (PDF Size: *), is more than just words on a page; itis a journey of connection and profound emotion. Immerse yourself in narratives that tug at your heartstrings. Download now to experience the pulse of each page and let your emotions run wild.

<https://auld.rmjm.com/About/scholarship/default.aspx/sumatra%20its%20history%20and%20people.pdf>

Table of Contents Kia Amanti Repair Manual

1. Understanding the eBook Kia Amanti Repair Manual
 - The Rise of Digital Reading Kia Amanti Repair Manual
 - Advantages of eBooks Over Traditional Books
2. Identifying Kia Amanti Repair Manual
 - Exploring Different Genres
 - Considering Fiction vs. Non-Fiction
 - Determining Your Reading Goals
3. Choosing the Right eBook Platform
 - Popular eBook Platforms
 - Features to Look for in an Kia Amanti Repair Manual
 - User-Friendly Interface
4. Exploring eBook Recommendations from Kia Amanti Repair Manual
 - Personalized Recommendations
 - Kia Amanti Repair Manual User Reviews and Ratings
 - Kia Amanti Repair Manual and Bestseller Lists
5. Accessing Kia Amanti Repair Manual Free and Paid eBooks
 - Kia Amanti Repair Manual Public Domain eBooks
 - Kia Amanti Repair Manual eBook Subscription Services
 - Kia Amanti Repair Manual Budget-Friendly Options

6. Navigating Kia Amanti Repair Manual eBook Formats
 - ePub, PDF, MOBI, and More
 - Kia Amanti Repair Manual Compatibility with Devices
 - Kia Amanti Repair Manual Enhanced eBook Features
7. Enhancing Your Reading Experience
 - Adjustable Fonts and Text Sizes of Kia Amanti Repair Manual
 - Highlighting and Note-Taking Kia Amanti Repair Manual
 - Interactive Elements Kia Amanti Repair Manual
8. Staying Engaged with Kia Amanti Repair Manual
 - Joining Online Reading Communities
 - Participating in Virtual Book Clubs
 - Following Authors and Publishers Kia Amanti Repair Manual
9. Balancing eBooks and Physical Books Kia Amanti Repair Manual
 - Benefits of a Digital Library
 - Creating a Diverse Reading Collection Kia Amanti Repair Manual
10. Overcoming Reading Challenges
 - Dealing with Digital Eye Strain
 - Minimizing Distractions
 - Managing Screen Time
11. Cultivating a Reading Routine Kia Amanti Repair Manual
 - Setting Reading Goals Kia Amanti Repair Manual
 - Carving Out Dedicated Reading Time
12. Sourcing Reliable Information of Kia Amanti Repair Manual
 - Fact-Checking eBook Content of Kia Amanti Repair Manual
 - Distinguishing Credible Sources
13. Promoting Lifelong Learning
 - Utilizing eBooks for Skill Development
 - Exploring Educational eBooks
14. Embracing eBook Trends
 - Integration of Multimedia Elements

- Interactive and Gamified eBooks

Kia Amanti Repair Manual Introduction

In this digital age, the convenience of accessing information at our fingertips has become a necessity. Whether its research papers, eBooks, or user manuals, PDF files have become the preferred format for sharing and reading documents. However, the cost associated with purchasing PDF files can sometimes be a barrier for many individuals and organizations. Thankfully, there are numerous websites and platforms that allow users to download free PDF files legally. In this article, we will explore some of the best platforms to download free PDFs. One of the most popular platforms to download free PDF files is Project Gutenberg. This online library offers over 60,000 free eBooks that are in the public domain. From classic literature to historical documents, Project Gutenberg provides a wide range of PDF files that can be downloaded and enjoyed on various devices. The website is user-friendly and allows users to search for specific titles or browse through different categories. Another reliable platform for downloading Kia Amanti Repair Manual free PDF files is Open Library. With its vast collection of over 1 million eBooks, Open Library has something for every reader. The website offers a seamless experience by providing options to borrow or download PDF files. Users simply need to create a free account to access this treasure trove of knowledge. Open Library also allows users to contribute by uploading and sharing their own PDF files, making it a collaborative platform for book enthusiasts. For those interested in academic resources, there are websites dedicated to providing free PDFs of research papers and scientific articles. One such website is Academia.edu, which allows researchers and scholars to share their work with a global audience. Users can download PDF files of research papers, theses, and dissertations covering a wide range of subjects. Academia.edu also provides a platform for discussions and networking within the academic community. When it comes to downloading Kia Amanti Repair Manual free PDF files of magazines, brochures, and catalogs, Issuu is a popular choice. This digital publishing platform hosts a vast collection of publications from around the world. Users can search for specific titles or explore various categories and genres. Issuu offers a seamless reading experience with its user-friendly interface and allows users to download PDF files for offline reading. Apart from dedicated platforms, search engines also play a crucial role in finding free PDF files. Google, for instance, has an advanced search feature that allows users to filter results by file type. By specifying the file type as "PDF," users can find websites that offer free PDF downloads on a specific topic. While downloading Kia Amanti Repair Manual free PDF files is convenient, its important to note that copyright laws must be respected. Always ensure that the PDF files you download are legally available for free. Many authors and publishers voluntarily provide free PDF versions of their work, but its essential to be cautious and verify the authenticity of the source before downloading Kia Amanti Repair Manual. In conclusion, the internet offers numerous platforms and websites that allow users to download free PDF files legally. Whether its classic literature, research

papers, or magazines, there is something for everyone. The platforms mentioned in this article, such as Project Gutenberg, Open Library, Academia.edu, and Issuu, provide access to a vast collection of PDF files. However, users should always be cautious and verify the legality of the source before downloading Kia Amanti Repair Manual any PDF files. With these platforms, the world of PDF downloads is just a click away.

FAQs About Kia Amanti Repair Manual Books

1. Where can I buy Kia Amanti Repair Manual books? Bookstores: Physical bookstores like Barnes & Noble, Waterstones, and independent local stores. Online Retailers: Amazon, Book Depository, and various online bookstores offer a wide range of books in physical and digital formats.
2. What are the different book formats available? Hardcover: Sturdy and durable, usually more expensive. Paperback: Cheaper, lighter, and more portable than hardcovers. E-books: Digital books available for e-readers like Kindle or software like Apple Books, Kindle, and Google Play Books.
3. How do I choose a Kia Amanti Repair Manual book to read? Genres: Consider the genre you enjoy (fiction, non-fiction, mystery, sci-fi, etc.). Recommendations: Ask friends, join book clubs, or explore online reviews and recommendations. Author: If you like a particular author, you might enjoy more of their work.
4. How do I take care of Kia Amanti Repair Manual books? Storage: Keep them away from direct sunlight and in a dry environment. Handling: Avoid folding pages, use bookmarks, and handle them with clean hands. Cleaning: Gently dust the covers and pages occasionally.
5. Can I borrow books without buying them? Public Libraries: Local libraries offer a wide range of books for borrowing. Book Swaps: Community book exchanges or online platforms where people exchange books.
6. How can I track my reading progress or manage my book collection? Book Tracking Apps: Goodreads, LibraryThing, and Book Catalogue are popular apps for tracking your reading progress and managing book collections. Spreadsheets: You can create your own spreadsheet to track books read, ratings, and other details.
7. What are Kia Amanti Repair Manual audiobooks, and where can I find them? Audiobooks: Audio recordings of books, perfect for listening while commuting or multitasking. Platforms: Audible, LibriVox, and Google Play Books offer a wide selection of audiobooks.
8. How do I support authors or the book industry? Buy Books: Purchase books from authors or independent bookstores. Reviews: Leave reviews on platforms like Goodreads or Amazon. Promotion: Share your favorite books on social media

or recommend them to friends.

9. Are there book clubs or reading communities I can join? Local Clubs: Check for local book clubs in libraries or community centers. Online Communities: Platforms like Goodreads have virtual book clubs and discussion groups.
10. Can I read Kia Amanti Repair Manual books for free? Public Domain Books: Many classic books are available for free as they're in the public domain. Free E-books: Some websites offer free e-books legally, like Project Gutenberg or Open Library.

Find Kia Amanti Repair Manual :

sumatra its history and people

sup with the devil harlequin presents no. 599

summer of glorious madness

sun place

summer pony

sun witch

sugar ray robinson beyond the boxer

summer of joanna

super baby songs

summer success math gr. 5-6

sun in winter

summers illusion

sundays are for murder

sunset in santa barbara

suite in e major 1888 for violin and piano

Kia Amanti Repair Manual :

free commercial real estate purchase agreement - Dec 06 2022

web apr 3 2023 missouri real estate purchase agreement this real estate contract binds two parties in the sale purchase of a building house or area of land it s also the

missouri real estate purchase agreement - May 31 2022

web jul 31 2023 download pdf commercial property commercial purchase agreement use this agreement between a buyer and seller to purchase commercial property

missouri real estate purchase sale agreement template - Aug 02 2022

web commercial forms indexing browse the list of commercial forms available to missouri realtors below missouri realtors may access current standard forms

missouri commercial real estate purchase agreement eforms - Jul 13 2023

web dec 31 2015 browse the list of commercial forms available to missouri realtors below missouri realtors may access current standard forms online through two

missouri real estate purchase and sale contract form formspal - Sep 03 2022

web the missouri real estate contract is a legal document used to transfer ownership of residential property the buyer and the seller decide the terms and conditions of the

missouri residential real estate purchase and sale agreement - Jan 27 2022

web missouri residential purchase agreement single family home condominium planned unit development pud duplex triplex fourplex other

form real estate purchase and sale agreement - Apr 10 2023

web a missouri commercial real estate purchase and sold agreement is a document enclosing the terms of the transaction between a buyer also dealer of commercial

commercial forms missouri realtors missouri - Jul 01 2022

web a missouri real estate contract for sale by the owner is an agreement signed between the buyer and seller it must contain the terms of the offer the deposit the amount offered

missouri real estate contract free pdf form cocodoc - Feb 25 2022

web jun 15 2023 the missouri commercial lease agreement is a binding contract between the landlord of commercial property and a business entity this document outlines the

commercial forms missouri realtors missouri - Mar 29 2022

web aug 7 2023 updated august 07 2023 a missouri commercial lease agreement is used to formalize an arrangement between a commercial landlord and a business tenant

missouri commercial real estate purchase and sale - Aug 14 2023

web this commercial real estate purchase agreement agreement made on 20 agreement date between

free missouri commercial lease agreement template eforms - Nov 24 2021

missouri residential purchase agreement eforms - Sep 22 2021

commercial forms missouri realtors missouri - Dec 26 2021

missouri commercial real estate purchase and sale agreement - Feb 08 2023

web missouri agreement for sale of commercial real estate find state specific forms and documents on us legal forms the largest online catalogue of fillable legal templates

missouri real estate purchase agreement - May 11 2023

web this real estate purchase and sale agreement this agreement is entered into as of the effective date by and between the parties hereto the curators of the

missouri purchase agreement templates free word pdf odt - Jan 07 2023

web jul 29 2022 the missouri real estate purchase agreement is used to document the relationship between the seller and the real estate buyer this document constitutes a

missouri commercial lease agreement template rev 2023 - Oct 24 2021

missouri real estate purchase agreement cocosign - Apr 29 2022

web com 1000 landlord s translation exclusive good to lease agreement last revised 12 31 15 establishes adenine realtor when the only agent out an owner with the

missouri real estate purchase agreement template - Mar 09 2023

web missouri real estate purchase agreement a missouri real estate purchase agreement formalizes an offer from the buyer to purchase the seller s real estate word odt pdf

missouri agreement for sale of commercial real estate - Oct 04 2022

web jun 15 2023 download our free pdf and word sample templates or generate an official missouri real estate sale contract our purchase forms are blank fillable

real estate purchase agreement template missouri - Nov 05 2022

web browsing the print of commercial forms available up missouri realtors below missola realtors may accessing current standard form web based through two

commercial forms missouri realtors - Jun 12 2023

web a earnest money upon the agreement of the parties and the execution of this agreement the buyer shall make a payment of as earnest money the

btec unit 23 hc1 p6 app piphany com - Sep 13 2023

web btec unit 23 hc1 p6 thank you for reading btec unit 23 hc1 p6 maybe you have knowledge that people have search hundreds times for their chosen novels like this

btec unit 23 hc1 p6 copy wrbb neu - Dec 24 2021

web btec unit 23 hc1 p6 1 btec unit 23 hc1 p6 yeah reviewing a books btec unit 23 hc1 p6 could go to your near contacts listings this is just one of the solutions for you to be

btec unit 23 hc1 p6 pdf full pdf status restek wwu - Jun 29 2022

web btec unit 23 hc1 p6 pdf pages 3 3 btec unit 23 hc1 p6 pdf upload herison v boyle 3 3 downloaded from status restek wwu edu on september 16 2023 by herison v boyle

btec unit 23 hc1 p6 pdf uniport edu - Jun 10 2023

web may 8 2023 info get the btec unit 23 hc1 p6 belong to that we give here and check out the link you could buy guide btec unit 23 hc1 p6 or get it as soon as feasible you

btec unit 23 hc1 p6 pdf wrbb neu - Feb 06 2023

web btec unit 23 hc1 p6 is reachable in our digital library an online access to it is set as public for that reason you can download it instantly our digital library saves in multipart

btec unit 23 hc1 p6 pdf e journal stp ipi ac - Dec 04 2022

web this online publication btec unit 23 hc1 p6 can be one of the options to accompany you as soon as having further time it will not waste your time receive me the e book will

[in depth guide to btec plus all hong kong schools following it](#) - Nov 22 2021

web btec courses typically consist of 18 modules for which students submit coursework to demonstrate competency more than 95 of uk universities accept btec qualifications

btec unit 23 hc1 p6 emidproxy vaccination gov ng - Mar 27 2022

web reviewing btec unit 23 hc1 p6 unlocking the spellbinding force of linguistics in a fast paced world fueled by information and interconnectivity the spellbinding force of

[btec unit 23 hc1 p6 copy pivotid uvu](#) - Feb 23 2022

web btec unit 23 hc1 p6 btec unit 23 hc1 p6 2 downloaded from pivotid uvu edu on 2023 10 11 by guest their problem the author also discusses problems of xenophobia and

in depth guide to btec plus all singapore schools - Apr 08 2023

web btec courses typically consist of 18 modules for which students submit coursework to demonstrate competency more than 95 of uk universities accept btec qualifications

btec unit 23 hc1 p6 copy uniport edu - Oct 02 2022

web may 20 2023 you may not be perplexed to enjoy all book collections btec unit 23 hc1 p6 that we will completely offer it is not vis vis the costs its more or less what you

btec unit 23 hc1 p6 sarwiki sea watch - Jul 31 2022

web of title btec unit 23 hc1 p6 author john doe subject tutorial about btec unit 23 hc1 p6 and how to guide btec unit 23 hc1 p6 that categorized in btec unit 23 hc1 p6 it

btec 2020 l3 int const dg u23 v1 bjs pearson qualifications - Oct 14 2023

web 3hdvvrq 7 qwhuqdwlrqdo hyho 4xdolilfdwlrqv lq rqvwuxfwlrq holyhu xlgh vxvh xqh k 3hdvvrq gxfdwlrq lplwhg 7 17 51 7 21 216758 7 21

btec unit 23 hc1 p6 pdf full pdf tax clone ortax - Nov 03 2022

web btec unit 23 hc1 p6 pdf introduction btec unit 23 hc1 p6 pdf full pdf my neighbour s shoes or feeling for others a tale a l o e 1861 navigate 2 advantage

btec unit 23 hc1 p6 psfnac faudiovisual com - Jan 05 2023

web unit 23 assignment 2 google sites repair cd player information fkalti de btec unit 23 hc1 p6 addtax de btec unit 23 hc1 p6 magdeburgstadtleben de unit 23 work

unit 23 p6 p7 m2 btec l3 business unit 23 stuvia - May 09 2023

web may 17 2020 within in this task i will explain the working and key terms of the judicial precedent equally i will provide case studies to support my explanations

btec unit 23 hc1 p6 copy uniport edu - Apr 27 2022

web may 21 2023 we present btec unit 23 hc1 p6 and numerous ebook collections from fictions to scientific research in any way among them is this btec unit 23 hc1 p6 that

btec unit 23 hc1 p6 graph safehousetech com - Aug 12 2023

web btec unit 23 hc1 p6 downloaded from graph safehousetech com by guest sadie devin how your motorcycle works haynes publications the private thoughts emotions

btec unit 23 hc1 p6 pdf uniport edu - Jul 11 2023

web jun 6 2023 we offer btec unit 23 hc1 p6 and numerous book collections from fictions to scientific research in any way among them is this btec unit 23 hc1 p6 that can be your

ptec home blood pressure monitoring programme singhealth - Sep 01 2022

web patients enrolled under the ptec home blood pressure monitoring programme will measure their blood pressure at home using a bluetooth enabled blood pressure device

[btec unit 23 hc1 p6 uniport edu](#) - May 29 2022

web we have the funds for you this proper as well as simple pretentiousness to get those all we provide btec unit 23 hc1 p6 and numerous books collections from fictions to scientific

ibcp or btec the vocational route to university - Mar 07 2023

web aug 10 2022 these two year post 16 vocational qualifications are a full time programme as part of the btec international diploma in business students complete four

btec unit 23 hc1 p6 jeremy churchill pqr uiaf gov co - Jan 25 2022

web textbook covers the two units metaphysics of god and metaphysics of mind in an engaging and student friendly way with chapters on how to do philosophy exam preparation

[hans christian andersen oeuvres tome 1 librarything](#) - Jan 07 2023

web click to read more about hans christian andersen oeuvres tome 1 by hans christian andersen librarything is a cataloging and social networking site for booklovers all

hans christian andersen biographie et 2 oeuvres free - Apr 29 2022

web hans christian andersen avec 2 oeuvres contes merveilleux tome i contes merveilleux tome ii biographie hans christian andersen 2 avril

[contes merveilleux tome 1 hans christian andersen google](#) - Aug 02 2022

web bibliographie de l auteur ses principales oeuvres contes merveilleux tome i l aiguille à repriser les amours d un faux col les aventures du chardon la bergère et le

oeuvres tome 1 de hans christian andersen livre decitre - Apr 10 2023

web may 2 2005 il faut un enfant infans celui qui n a pas droit à la parole pour dénoncer le scandale que les contes d andersen soient ou ne soient pas destinés aux enfants

oeuvres tome 1 by hans christian andersen goodreads - Mar 09 2023

web jan 1 2018 ce volume contient contes racontés aux enfants le fantôme les galoches du bonheur nouveaux contes contes illustrés par vilhelm pedersen histoires

[hanschristianandersenoeuvres tome 1 download only](#) - Jan 27 2022

web hans christian andersen 2 avril 1805 à odense danmark 4 août 1875 à rolighed frederiksberg copenhagen est un romancier dramaturge conteur et poète danois

Œuvres 1 tome 1 andersen hans christian amazon de books - Oct 04 2022

web hello sign in account lists returns orders shopping basket

oeuvres tome 1 hans christian andersen babelio - Aug 14 2023

web nov 25 1992 hans christian andersen andersen oeuvres la pléiade tome 1 sur 2 régis boyer Éditeur scientifique ean 9782070112463 1528 pages gallimard

andersen oeuvres tome i tome 1 amazon co uk andersen - Jun 12 2023

web buy andersen oeuvres tome i tome 1 by andersen hans christian from amazon s fiction books store everyday low prices on a huge range of new releases and classic

hans christian andersen oeuvres tome 1 uniport edu - Sep 22 2021

web download and install the hans christian andersen oeuvres tome 1 it is unquestionably simple then back currently we extend the associate to purchase and create bargains to

hans christian andersen oeuvres tome 1 - Mar 29 2022

web bibliographie de l auteur ses principales oeuvres contes merveilleux tome i l aiguille à repriser les amours d un faux col les aventures du chardon la bergère et le

hans christian andersen oeuvres tome 1 pdf 2023 - Oct 24 2021

web hans christian andersen oeuvres tome 1 pdf 2023 blog watchshopping com created date 9 2 2023 5 03 52 am

hans christian andersen oeuvres tome 1 pdf ci kubesail - Dec 26 2021

web hans christian andersen oeuvres tome 1 1 hans christian andersen oeuvres tome 1 more than just fairy tales hans christian andersen hans christian andersen hans

hans christian andersen oeuvres tome 1 abebooks - Feb 08 2023

web available now at abebooks co uk no binding book condition good titre hans christian andersen oeuvres tome 1 auteurs editeur hans christian andersen

hans christian andersen oeuvres tome 1 uniport edu - Nov 24 2021

web jul 2 2023 you could buy lead hans christian andersen oeuvres tome 1 or acquire it as soon as feasible you could quickly download this hans christian andersen oeuvres

andersen oeuvres tome i by hans christian andersen biblio - Jul 01 2022

web andersen oeuvres tome i by andersen hans christian new hardcover condition new isbn 10 2070112462 isbn 13 9782070112463 seller

hans christian andersen oeuvres tome 1 amazon fr - May 11 2023

web hans christian andersen oeuvres tome 1 relié 25 novembre 1992 le tome l de cette édition contient l intégralité des contes d andersen dont certains étaient inédits en

Œuvres tome 1 hans christian andersen librairie eyrolles - Dec 06 2022

web le tome l de cette édition contient l intégralité des contes d andersen dont certains étaient inédits en français et tous les

textes qui doivent leur être rattachés régis boyer s est

Œuvres tome 1 tome 1 relié hans christian andersen régis - Jul 13 2023

web nov 25 1992 tome 1 tome 1 Œuvres hans christian andersen régis boyer lorenz frølich gallimard des milliers de livres avec la livraison chez vous en 1 jour ou en

the complete illustrated works by hans christian andersen - Sep 03 2022

web nov 8 2011 6 838 books3 210 followers hans christian andersen often referred to in scandinavia as h c andersen was a danish author and poet although a prolific writer

hans christian andersen contes tome 1 archive org - Feb 25 2022

web nov 23 2019 hans christian andersen contes tome 1 free download borrow and streaming internet archive

oeuvres de hans christian andersen ekitaplar serisi kobo com - May 31 2022

web oeuvres de hans christian andersen için arama sonuçları booklovers ücretsiz önizleme ve yorumları okuyun kobo de ebooks alışveriş

oeuvres t1 by andersen hans 1992 biblio - Nov 05 2022

web jan 1 1992 oeuvres t1 by andersen hans 1992 by andersen hans similar copies are shown below similar copies are shown to the right stock photo cover may