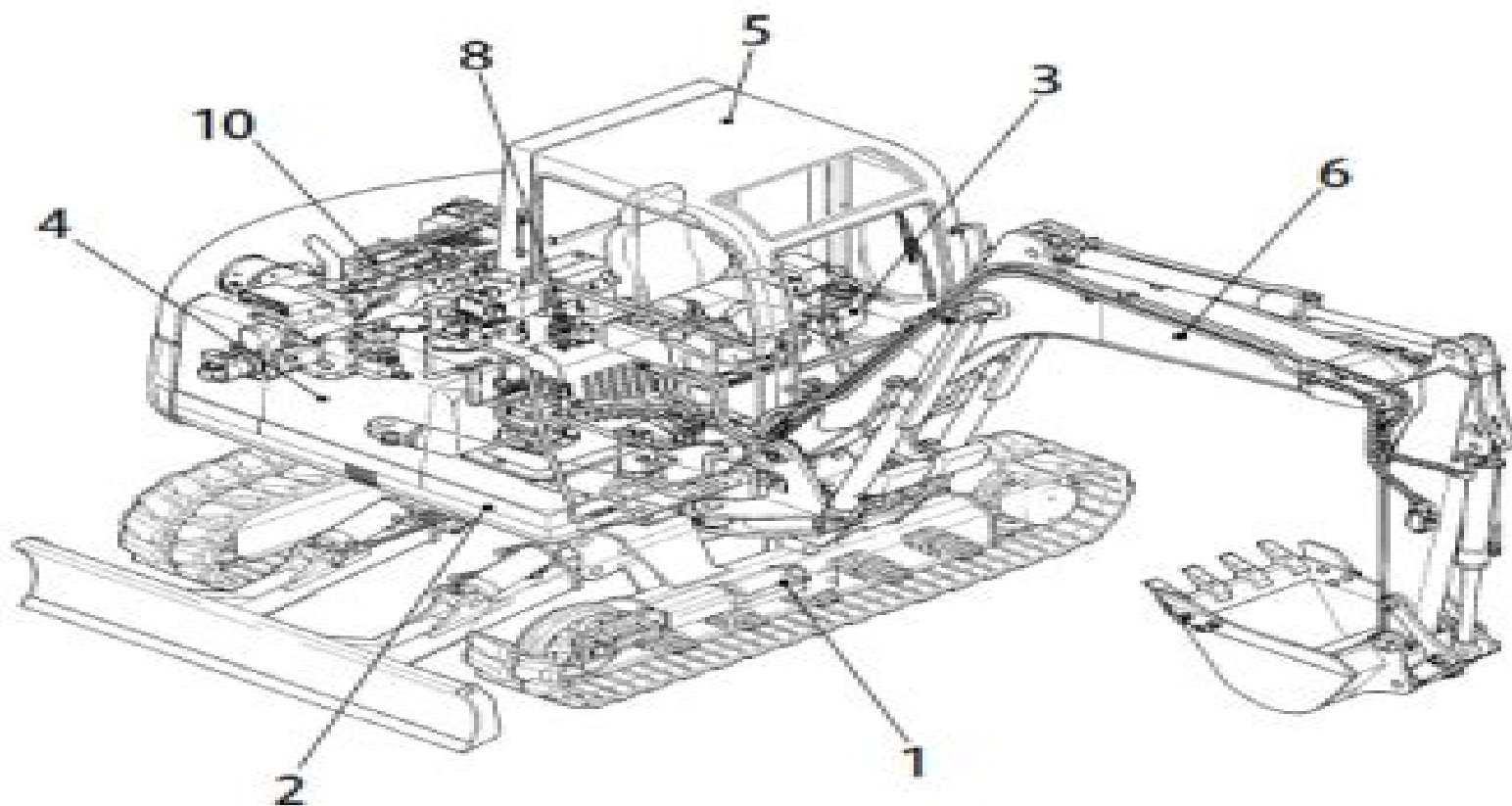


TB070

Book No. PL1-101Z5

Serial No. 1703004-1705487



Takeuchi Tb070 Service Manual

Tom Schauwecker



Takeuchi Tb070 Service Manual:

Technical Manual United States Department of the Army,1982 **Toyota Starlet Owners Workshop Manual** John Harold Haynes,Andrew Kirk Legg,1985 Toyota Starlet Owners Workshop Manual Tom Schauwecker,1981 **Service Manual** Diamond T Motor Car Company. Service Dept,1948 *Service Manual: Transmission, 554/644, 744/844, 844S.* International Harvester Company,1977 **Service manual for HD series diesel tractors** Allis-Chalmers Manufacturing Company. Industrial Service Department. Tractor Division,194?

Recognizing the exaggeration ways to get this book **Takeuchi Tb070 Service Manual** is additionally useful. You have remained in right site to start getting this info. get the Takeuchi Tb070 Service Manual associate that we meet the expense of here and check out the link.

You could purchase guide Takeuchi Tb070 Service Manual or acquire it as soon as feasible. You could speedily download this Takeuchi Tb070 Service Manual after getting deal. So, taking into consideration you require the book swiftly, you can straight get it. Its consequently definitely easy and consequently fats, isnt it? You have to favor to in this sky

https://auld.rmjm.com/data/publication/index.jsp/bmw_airhead_manual.pdf

Table of Contents Takeuchi Tb070 Service Manual

1. Understanding the eBook Takeuchi Tb070 Service Manual
 - The Rise of Digital Reading Takeuchi Tb070 Service Manual
 - Advantages of eBooks Over Traditional Books
2. Identifying Takeuchi Tb070 Service Manual
 - Exploring Different Genres
 - Considering Fiction vs. Non-Fiction
 - Determining Your Reading Goals
3. Choosing the Right eBook Platform
 - Popular eBook Platforms
 - Features to Look for in an Takeuchi Tb070 Service Manual
 - User-Friendly Interface
4. Exploring eBook Recommendations from Takeuchi Tb070 Service Manual
 - Personalized Recommendations
 - Takeuchi Tb070 Service Manual User Reviews and Ratings
 - Takeuchi Tb070 Service Manual and Bestseller Lists
5. Accessing Takeuchi Tb070 Service Manual Free and Paid eBooks

- Takeuchi Tb070 Service Manual Public Domain eBooks
 - Takeuchi Tb070 Service Manual eBook Subscription Services
 - Takeuchi Tb070 Service Manual Budget-Friendly Options
6. Navigating Takeuchi Tb070 Service Manual eBook Formats
 - ePub, PDF, MOBI, and More
 - Takeuchi Tb070 Service Manual Compatibility with Devices
 - Takeuchi Tb070 Service Manual Enhanced eBook Features
 7. Enhancing Your Reading Experience
 - Adjustable Fonts and Text Sizes of Takeuchi Tb070 Service Manual
 - Highlighting and Note-Taking Takeuchi Tb070 Service Manual
 - Interactive Elements Takeuchi Tb070 Service Manual
 8. Staying Engaged with Takeuchi Tb070 Service Manual
 - Joining Online Reading Communities
 - Participating in Virtual Book Clubs
 - Following Authors and Publishers Takeuchi Tb070 Service Manual
 9. Balancing eBooks and Physical Books Takeuchi Tb070 Service Manual
 - Benefits of a Digital Library
 - Creating a Diverse Reading Collection Takeuchi Tb070 Service Manual
 10. Overcoming Reading Challenges
 - Dealing with Digital Eye Strain
 - Minimizing Distractions
 - Managing Screen Time
 11. Cultivating a Reading Routine Takeuchi Tb070 Service Manual
 - Setting Reading Goals Takeuchi Tb070 Service Manual
 - Carving Out Dedicated Reading Time
 12. Sourcing Reliable Information of Takeuchi Tb070 Service Manual
 - Fact-Checking eBook Content of Takeuchi Tb070 Service Manual
 - Distinguishing Credible Sources
 13. Promoting Lifelong Learning
 - Utilizing eBooks for Skill Development

- Exploring Educational eBooks
14. Embracing eBook Trends
- Integration of Multimedia Elements
 - Interactive and Gamified eBooks

Takeuchi Tb070 Service Manual Introduction

Takeuchi Tb070 Service Manual Offers over 60,000 free eBooks, including many classics that are in the public domain. Open Library: Provides access to over 1 million free eBooks, including classic literature and contemporary works. Takeuchi Tb070 Service Manual Offers a vast collection of books, some of which are available for free as PDF downloads, particularly older books in the public domain. Takeuchi Tb070 Service Manual : This website hosts a vast collection of scientific articles, books, and textbooks. While it operates in a legal gray area due to copyright issues, its a popular resource for finding various publications. Internet Archive for Takeuchi Tb070 Service Manual : Has an extensive collection of digital content, including books, articles, videos, and more. It has a massive library of free downloadable books. Free-eBooks Takeuchi Tb070 Service Manual Offers a diverse range of free eBooks across various genres. Takeuchi Tb070 Service Manual Focuses mainly on educational books, textbooks, and business books. It offers free PDF downloads for educational purposes. Takeuchi Tb070 Service Manual Provides a large selection of free eBooks in different genres, which are available for download in various formats, including PDF. Finding specific Takeuchi Tb070 Service Manual, especially related to Takeuchi Tb070 Service Manual, might be challenging as theyre often artistic creations rather than practical blueprints. However, you can explore the following steps to search for or create your own Online Searches: Look for websites, forums, or blogs dedicated to Takeuchi Tb070 Service Manual, Sometimes enthusiasts share their designs or concepts in PDF format. Books and Magazines Some Takeuchi Tb070 Service Manual books or magazines might include. Look for these in online stores or libraries. Remember that while Takeuchi Tb070 Service Manual, sharing copyrighted material without permission is not legal. Always ensure youre either creating your own or obtaining them from legitimate sources that allow sharing and downloading. Library Check if your local library offers eBook lending services. Many libraries have digital catalogs where you can borrow Takeuchi Tb070 Service Manual eBooks for free, including popular titles. Online Retailers: Websites like Amazon, Google Books, or Apple Books often sell eBooks. Sometimes, authors or publishers offer promotions or free periods for certain books. Authors Website Occasionally, authors provide excerpts or short stories for free on their websites. While this might not be the Takeuchi Tb070 Service Manual full book , it can give you a taste of the authors writing style. Subscription Services Platforms like Kindle Unlimited or Scribd offer subscription-based access to a wide range of Takeuchi Tb070 Service Manual eBooks, including some popular titles.

FAQs About Takeuchi Tb070 Service Manual Books

How do I know which eBook platform is the best for me? Finding the best eBook platform depends on your reading preferences and device compatibility. Research different platforms, read user reviews, and explore their features before making a choice. Are free eBooks of good quality? Yes, many reputable platforms offer high-quality free eBooks, including classics and public domain works. However, make sure to verify the source to ensure the eBook credibility. Can I read eBooks without an eReader? Absolutely! Most eBook platforms offer web-based readers or mobile apps that allow you to read eBooks on your computer, tablet, or smartphone. How do I avoid digital eye strain while reading eBooks? To prevent digital eye strain, take regular breaks, adjust the font size and background color, and ensure proper lighting while reading eBooks. What the advantage of interactive eBooks? Interactive eBooks incorporate multimedia elements, quizzes, and activities, enhancing the reader engagement and providing a more immersive learning experience. Takeuchi Tb070 Service Manual is one of the best book in our library for free trial. We provide copy of Takeuchi Tb070 Service Manual in digital format, so the resources that you find are reliable. There are also many Ebooks of related with Takeuchi Tb070 Service Manual. Where to download Takeuchi Tb070 Service Manual online for free? Are you looking for Takeuchi Tb070 Service Manual PDF? This is definitely going to save you time and cash in something you should think about.

Find Takeuchi Tb070 Service Manual :

bmw airhead manual

[1994 jeep cherokee zj factory workshop service repair manual](#)

[saturn shop manual](#)

[2003 dodge caravan town country diesel service manual](#)

[1999 2000 arctic cat snowmobiles service repair workshop manual all models](#)

[xtreme biology question papers](#)

lodyseacuttee de zozimos tome

a fall of marigolds

50 distraction techniques for people with depression

[novel road map to success answers night](#)

[50-cent medical report](#)

question papar of jss3 2014

[science review sheet unit freshman](#)

used toyota corolla spacio

suzuki estilete uf50 scooter full service repair manual 2000 2003

Takeuchi Tb070 Service Manual :

arkadaşlar worksheet 1 subject pronouns cevap anahtarı lütfen - Nov 10 2022

web mar 23 2018 arkadaşlar worksheet 1 subject pronouns cevap anahtarı lütfen atın acil cevabı gör reklam reklam eodev kullanıcısı eodev kullanıcısı Çalışma 1konu

vocabulario 1 gramatica packet answers schmitt - Dec 11 2022

web we provide vocabulario 1 gramatica packet answers and numerous ebook collections from fictions to scientific research in any way in the midst of them is this vocabulario 1

vocabulario 1 gramatica packet answers - Jul 06 2022

web vocabulario 1 gramatica packet answers 1 vocabulario 1 gramatica packet answers this is likewise one of the factors by obtaining the soft documents of this vocabulario 1

vocabulario 1 gramatica 1 capitulo 3 worksheets k12 workbook - Apr 15 2023

web showing 8 worksheets for vocabulario 1 gramatica 1 capitulo 3 worksheets are captulo qu te gusta hacer 3 cuaderno de vocabulario y gramtica differen

vocabulario 1 gramatica packet answers virginactivept mypthub - Apr 03 2022

web vocabulario 1 gramatica packet answers vocabulario 1 gramatica packet answers vocabulario 2 capitulo 7 answers bing pdfsdirnn com aprende gramatica y

vocabulario 1 gramatica 1 answer key muzing org - Sep 20 2023

web aug 25 2023 what the answer key contains the vocabulario 1 gramatica 1 answer key provides answers for all of the grammar practice activities and exercises in this

vocabulario 1 gramatica 1 flashcards quizlet - Aug 19 2023

web vocabulario 1 gramatica 1 term 1 74 el bolígrafo click the card to flip definition 1 74 pen click the card to flip

asi se dice 1 workbook and audio activities quizlet - Jun 17 2023

web with expert solutions for thousands of practice problems you can take the guesswork out of studying and move forward with confidence find step by step solutions and answers to

vocabulario 1 gramatica packet answers - Nov 29 2021

web vocabulario 1 gramatica packet answers learning english this time we look at the differences between present continuous and going to we do an activity to help us learn

access free vocabulario 1 gramatica packet answers read pdf - Aug 07 2022

web jan 10 2023 jul 04 2022 this answer key includes answers to the homework practice activities in the workbook that are integral to learning with gramática para la

get the free vocabulario 1 gramatica 1 answer key form pdf - May 16 2023

web vocabulario 1 gramatica 1 is typically required for individuals who are studying a specific language and need to expand their vocabulary and understanding of grammar rules 02

vocabulario 1 gramatica packet answers pdf programma syriza - Mar 02 2022

web vocabulario 1 gramatica packet answers 5 5 push you to the next level gramática answers questions you never knew you had and delves into subtleties other books don't

avancemos cuaderno práctica por niveles 1 revised - Mar 14 2023

web our resource for avancemos cuaderno práctica por niveles 1 revised includes answers to chapter exercises as well as detailed information to walk you through the process

spanish gramatica 1 flashcards quizlet - Jan 12 2023

web spanish gramatica 1 flashcards learn test match when would you use the verb esta when talking about food spanish chapter 7 vocab 1 35 terms kbplunkett spanish

online library vocabulario 1 gramatica packet answers pdf free - Oct 29 2021

web dec 30 2022 online library vocabulario 1 gramatica packet answers pdf free copy phschool com retirement prentice hall savvas learning home bbc bitesize educational

gramatica 1 3 flashcards quizlet - Oct 09 2022

web they are subordinate but not embedded thus the correct answer is b what does an abbreviated clause typically consist of a subject and a finite operator a subject a

vocabulario 1 gramatica packet answers pdf uniport edu - Jul 18 2023

web sep 13 2023 the vocabulario 1 gramatica packet answers partner that we have enough money here and check out the link you could purchase lead vocabulario 1 gramatica

vocabulario y gramaticia worksheets learny kids - Jun 05 2022

web some of the worksheets for this concept are spanish basic attach all work to this and turn in when complete chapter assessment examen vocabulario y gramatica 2 holt spanish

vocabulario 1 gramatica packet answers - May 04 2022

web merely said the vocabulario 1 gramatica packet answers is universally compatible taking into account any devices to read grammar in use korean edition raymond

[capitulo 1 vocabulario 1 gramatica 1 answers hebrew for](#) - Dec 31 2021

web [adios al verano capitulo 1 vocabulario 1 gramatica 1 answers capitulo 1 vocabulario 1 gramatica 1 answers vocabulario 1 gramatica 1 capitulo 5 answer key](#)

vocabulario 1 gramatica 1 capitulo 1 worksheets learny kids - Feb 13 2023

web [vocabulario 1 gramatica 1 capitulo 1 worksheets total of 8 printable worksheets available for this concept worksheets are spanish basic vocabulari vocabulario 1](#)

[vocabulario 1 gramatica packet answers pdf localimageco](#) - Feb 01 2022

web [vocabulario 1 gramatica packet answers learning english personality one bibliophile placed the following caption in all his volumes i d rather be destroyed or burned than entrusted or loaned as in any fraternity that of bibliophiles has its own vocabulario 1 gramatica packet answers how are sandals helping orphans hear the](#)

vocabulario 1 gramatica packet answers 2023 - Sep 08 2022

web [answer key available for download from the features tab on the publisher s website rowman com isbn 9780761863755 bilingual grammar of english spanish](#)

sound design the expressive power of music voice and sound - Nov 05 2022

web [26 95 20 21 sound design the expressive power of music voice and sound effects in cinema and interactive media 2nd edition add to cart add to wishlist david sonnenschein production sound editing](#)

sound design the expressive power of music voice and sound - Oct 16 2023

web [sound design the expressive power of music voice and sound effects in cinema by sonnenschein david publication date 2001 topics sound motion pictures sound recording and reproducing motion pictures sound effects publisher studio city ca michael wiese productions](#)

sound design the expressive power of music voice and sound - Aug 02 2022

web [sound design the expressive power of music voice and sound effects in cinema sonnenschein david 9780941188265 abebooks](#)

[sound design the expressive power of music voice and sound](#) - Mar 09 2023

web [sound design the expressive power of music voice and sound effects in cinema author david sonnenschein summary the clash of light sabers in the electrifying duels of star wars](#)

sound design the expressive power of music voice and sound - Jan 07 2023

web [apr 1 2013 sound design the expressive power of music voice and sound effects in cinema sonnenschein david 9781615932023 books amazon ca](#)

sound design the expressive power of music voice and sound - Dec 06 2022

web sound design the expressive power of music voice and sound effects in cinema 15 reviews author david sonnenschein print book english 2001 edition view all formats and editions publisher michael wiese productions studio city ca 2001 show more information location not available

sound design the expressive power of music voice and sound - Feb 25 2022

web sound design the expressive power of music voice and sound effects in cinema ebook sonnenschein david amazon ca books

buy sound design the expressive power of music voice and sound - Mar 29 2022

web amazon in buy sound design the expressive power of music voice and sound effects in cinema book online at best prices in india on amazon in read sound design the expressive power of music voice and sound effects in cinema book reviews author details and more at amazon in free delivery on qualified orders

sound design the expressive power of music voice and sound - Apr 10 2023

web sound design the expressive power of music voice and sound effects in cinema by david sonnenschein paperback 250 pages michael wiese productions 2001 you can buy this book at amazon com us amazon uk amazon de

sound design the expressive power of music voice and sound - May 11 2023

web sound design the expressive power of music voice and sound effects in cinema author david sonnenschein edition illustrated publisher michael wiese productions 2013 isbn

sound design the expressive power of music voice and - Sep 15 2023

web jan 1 2001 242 ratings 15 reviews offers user friendly knowledge and stimulating exercises to help compose story develop characters and create emotion through skillful creation of the sound track genres musicfilmnonfictiontextbooksreference 250 pages paperback first published january 1 2001

sound design the expressive power of music voice and sound - Feb 08 2023

web oct 25 2001 learn more roll over image to zoom in read sample follow the author sound design the expressive power of music voice and sound effects in cinema 1st edition kindle edition by david sonnenschein author format kindle edition 4 5 305 ratings see all formats and editions kindle 14 15 read with our free app library binding

sound design the expressive power of music voice and sound - May 31 2022

web get this from a library sound design the expressive power of music voice and sound effects in cinema david sonnenschein *sound design the expressive power of music voice and sound* - Jul 13 2023

web buy sound design the expressive power of music voice and sound effects in cinema by sonnenschein david isbn 8601404348785 from amazon s book store everyday low prices and free delivery on eligible orders

sound design the expressive power of music voice and sound - Oct 04 2022

web sound design the expressive power of music voice and sound effects in cinema ebook sonnenschein david amazon in kindle store

sound design the expressive power of music voice and sound - Apr 29 2022

web sound design the expressive power of music voice and sound effects in cinema ebook sonnenschein david amazon co uk books arts photography

sound design the expressive power of music voice and sound - Jun 12 2023

web semantic scholar extracted view of sound design the expressive power of music voice and sound effects in cinema by david sonnenschein

sound design the expressive power of music proquest - Sep 03 2022

web oct 14 2001 sound design the expressive power of music voice and sound effects in cinema anonymous variety los angeles vol 384 iss 8 oct 8 oct 14 2001 71

sound design the expressive power of music voice and sound - Aug 14 2023

web sound design the expressive power of music voice and sound effects in cinema author david sonnenschein editor david sonnenschein edition illustrated publisher michael wiese

pdf sound design the expressive power of music voice and sound - Jul 01 2022

web sound design the expressive power of music voice and sound effects in cinema david sonnenschein 2001 this is really going to save you time and your money in something should think about if you re seeking then search around for online

secret billionaire s club the billionaire s luck walmart com - Dec 07 2022

web arrives by tue aug 30 buy secret billionaire s club the billionaire s luck steamy sensations romance series 2 paperback at walmart com

the billionaire s luck tracey pedersen google books - Feb 26 2022

web when everett arrives in her hospital ward she longs to accept the crazy offer he unexpectedly throws her way with a stalled night of passion behind them can the promise of a real family melt this

the billionaire s surprise steamy sensations romance secret - Jul 02 2022

web aug 20 2023 the billionaire s luck steamy sensations romance secret billionaire s club book 2 tracey pedersen 4 1 out of 5 stars 81

the billionaire s luck ebook by tracey pedersen kobo com - Jun 01 2022

web read the billionaire s luck secret billionaire s club 2 by tracey pedersen available from rakuten kobo reluctant billionaire does not seek family life everett porter likes his life just the way it is he dedicates himse

the billionaire s luck steamy sensations romance secret billionaire s - Aug 15 2023

web mar 17 2019 the billionaire s luck steamy sensations romance secret billionaire s club book 2 kindle edition by pedersen tracey download it once and read it on your kindle device pc phones or tablets use features like bookmarks note taking and highlighting while reading the billionaire s luck steamy sensations romance

secret billionaire s club 2 the billionaire s luck bol com - Oct 05 2022

web secret billionaire s club 2 the billionaire s luck reluctant billionaire does not seek family life everett porter likes his life just the way it

the billionaire s club by tracey pedersen goodreads - Sep 04 2022

web kindle 2 99 rate this book secret billionaire s club 6 the billionaire s club tracey pedersen 4 33 15 ratings 10 reviews flat on his back at the mercy of the most honest woman on the planet merek rummer had plans to win danny s silly dating game

the billionaire s luck by tracey pedersen overdrive - Jan 08 2023

web mar 17 2019 reluctant billionaire does not seek family life everett porter likes his life just the way it is he dedicates himself to the military saves his money and avoids his family at all costs he doesn t need anyone or anything other than his mates in the secret billionaire s club no matter what his grandfather has to say about it

the billionaires secret club a dark billionaire romance books - Aug 03 2022

web for fans of dominant cocky billionaires dive into this 6 book box set over 1200 pages of sensual rich heroes and their employees falling head over heels each with their own spicy happily ever after ending these naughty billionaires will

the billionaire s luck by tracey pedersen ebook scribd - Nov 06 2022

web read the billionaire s luck by tracey pedersen with a free trial read millions of ebooks and audiobooks on the web ipad iphone and android

the billionaire s luck secret billionaire s club 2 fnac - Feb 09 2023

web secret billionaire s club 2 the billionaire s luck tracey pedersen daring online adventures des milliers de livres avec la livraison chez vous en 1 jour ou en magasin avec 5 de réduction the billionaire s luck secret billionaire s club 2 ebook epub tracey pedersen achat ebook fnac

secret billionaire s club series by tracey pedersen goodreads - Jun 13 2023

web secret billionaire s club series 8 primary works 9 total works 10 authors 10 holidays 10 shorts ten romance authors bring you a sexy story to fire up your holiday each author has their own series in 2019 with one thing in common holidays check out all of the steamy sensations books today

secret billionaire s club series ebook scribd - Jan 28 2022

web about this series billionaire versus sexy christmas elf sam maynard is melancholy this christmas his long term business is now in the hands of someone else he can t find the perfect gift for his parents and the enormous secret he shares with eight

of his closest friends is about to hit the news

the wish maker a billionaire boss romance books 7 12 the - Dec 27 2021

web jul 2 2021 the wish maker a billionaire boss romance books 7 12 the billionaire s secret club boxset book 2 kindle edition by piper c c contemporary romance kindle ebooks amazon com kindle store

the billionaire s luck by tracey pedersen goodreads - Apr 11 2023

web everett porter likes his life just the way it is he dedicates himself to the military saves his money and avoids his family at all costs he doesn t need anyone or anything other than his mates in the secret billionaire s club no matter what his

the billionaire s luck by tracey pedersen romance io - Mar 10 2023

web rated 4 0 5 stars the billionaire s luck is tagged as military it is the 2nd book in the secret billionaire s club series blurb reluctant billionaire does not seek family life everett porter likes his life just the way it is he dedicates himself to the military saves his money and avoids his family at all costs

the billionaire s luck steamy sensations romance secret billionaire s - Jul 14 2023

web the billionaire s luck steamy sensations romance secret billionaire s club book 2 ebook pedersen tracey amazon com au books

the billionaire s secret club series by c c piper goodreads - Apr 30 2022

web taken by c c piper 3 98 390 ratings 54 reviews 2 editions i had the perfect plan to get back at my biggest e want to read *the billionaires secret club a dark billionaire romance books* - Mar 30 2022

web mar 3 2020 the billionaires secret club a dark billionaire romance books 1 6 the billionaires secret club boxset kindle edition by c c piper author format kindle edition 4 5 2 030 ratings

the billionaire s luck secret billionaire s club 2 ebook - May 12 2023

web mar 17 2019 reluctant billionaire does not seek family life everett porter likes his life just the way it is the billionaire s luck secret billionaire s club 2 by tracey pedersen read an excerpt of this book add to wishlist the billionaire s luck secret billionaire s club 2 by tracey pedersen ebook 0 99 ebook 0 99