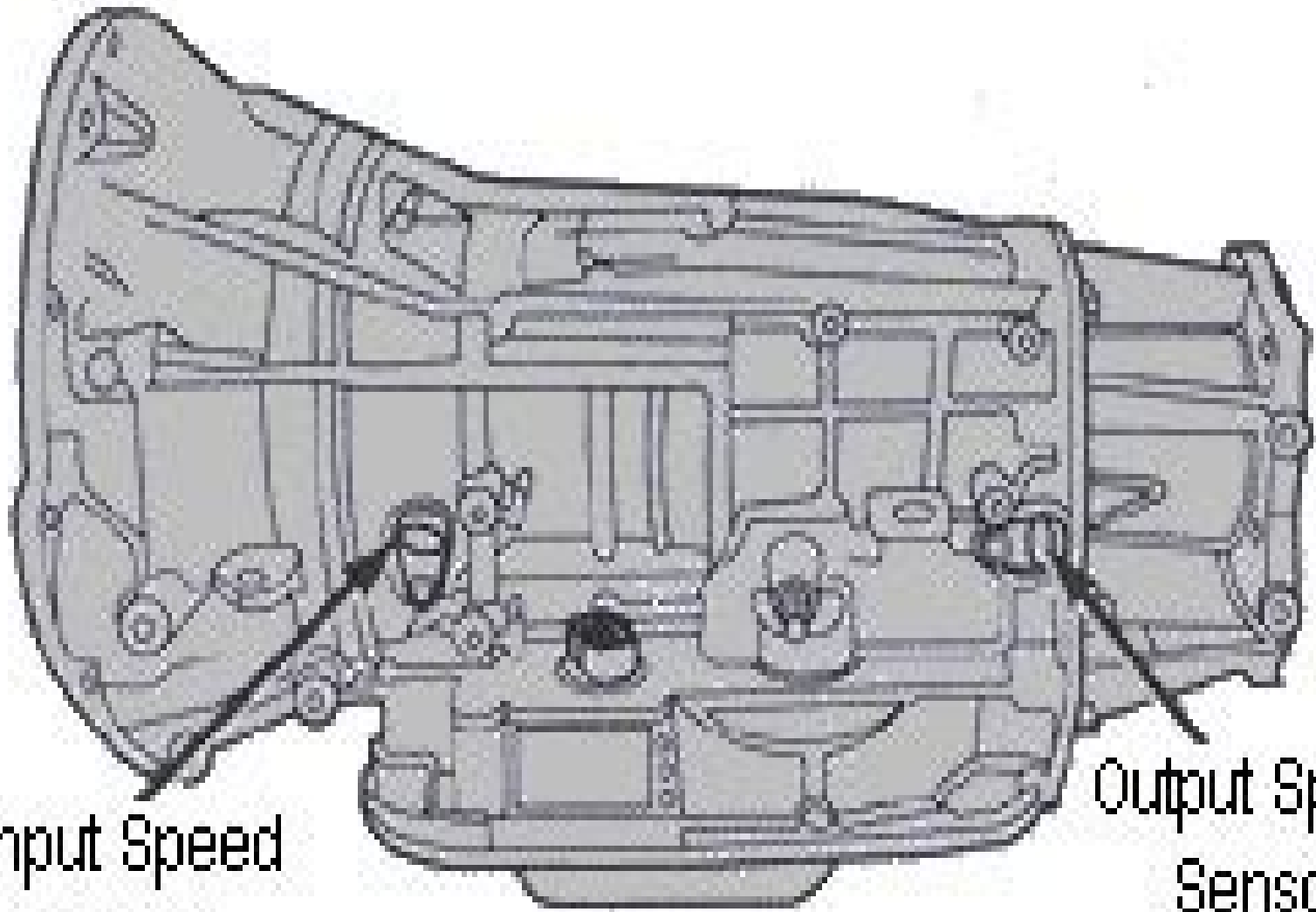


Chrysler 45RFE Automatic Transmission



Input Speed
Sensor

Output Speed
Sensor

1994 Jeep Gr Cherokee Transmission Problems

Michael Hoelscher



1994 Jeep Gr Cherokee Transmission Problems:

Popular Mechanics, 1999-01 Popular Mechanics inspires instructs and influences readers to help them master the modern world Whether it s practical DIY home improvement tips gadgets and digital technology information on the newest cars or the latest breakthroughs in science PM is the ultimate guide to our high tech lifestyle [Popular Mechanics](#), 1994-09 Popular Mechanics inspires instructs and influences readers to help them master the modern world Whether it s practical DIY home improvement tips gadgets and digital technology information on the newest cars or the latest breakthroughs in science PM is the ultimate guide to our high tech lifestyle [User Car Buying Guide 1994](#) Consumer Reports, 1994 With the average price of a new car now exceeding 16 000 this guide fully updated and revised annually provides consumers with the kinds of information needed to make the best choices evaluating a used car s fuel economy and performance level as well as its overall quality and repair record [1994 New Car Guide](#) Denis Duquet, 1993-09 A new car buyer s single source for complete just released information on all the new 1994 models lavishly illustrated with over 400 full color photographs Included are every make and model of car minivan and 4x4 available in North America Features list prices manufacturers and specs [Buying Guide 2002](#) Consumer Reports, 2001-11 Do your homework to determine the best value with this annually updated buying guide from Consumer Reports Includes information on what s new in home entertainment vehicles appliances and home office equipment Ratings charts and index *Collaborative Lubricating Oil Study on Emissions (CLOSE)*, 2011 [Good Housekeeping](#), 1994 **Road and Track**, 1998 **Automotive News**, 2000

Product Safety & Liability Reporter, 2005 **Buying Guide 2001** Consumer Reports Books Editors, The Editors of Consumer R, Consumer Reports, 2000-11 This compact book contains the best buying advice from Consumer Reports along with expert strategies for finding many products at the best prices Includes advice for shopping online by mail order or in stores lab test results and a preview of the 2001 model year vehicles *Used Car and Truck Book* Consumer Guide, 2001-03 This all new edition profiles more than 180 of the most popular models from 1990 to the present including photos descriptions specifications retail prices safety recalls trouble spots and replacement costs Features evaluations of cars trucks SUVs and minivans Plus shopping tips checklists and essential information that helps the buyer choose the right car the first time **Car and Driver**, 2000 [Road & Rec](#), 1997 **Consumer Reports 2002** Consumer Reports, 2003-02 **Jeep Collector's Library** Jim Allen, From its inception as a fighting vehicle in World War II to today s comfortable cruisers and family adventure rigs the Jeep has gone through frequent revisions and spawned numerous versions This revised edition has been expanded to include updated information on older models as well as the latest on new Wranglers Cherokees and the Jeep Liberty Jeep Collector s Library covers all of the information on Jeep fans crave including history technical specifications option lists and production information Jeep still continues to sell over 600 000 units per year About the Author Author and photographer Jim Allen has written numerous books and magazine articles about Jeep and its history He lives in Grand

Junction Colorado *Popular Mechanics* ,1997-04 Popular Mechanics inspires instructs and influences readers to help them master the modern world Whether it s practical DIY home improvement tips gadgets and digital technology information on the newest cars or the latest breakthroughs in science PM is the ultimate guide to our high tech lifestyle **Ward's Auto World** ,1996 The Power Report on Automotive Marketing ,1993 *Consumers Digest* ,2001

This Engaging Realm of Kindle Books: A Comprehensive Guide Revealing the Pros of E-book Books: A World of Convenience and Flexibility Kindle books, with their inherent portability and simplicity of access, have liberated readers from the limitations of hardcopy books. Gone are the days of lugging bulky novels or carefully searching for specific titles in bookstores. Kindle devices, sleek and lightweight, effortlessly store an wide library of books, allowing readers to indulge in their preferred reads whenever, everywhere. Whether traveling on a busy train, lounging on a sunny beach, or simply cozying up in bed, E-book books provide an unparalleled level of ease. A Literary World Unfolded: Discovering the Wide Array of E-book 1994 Jeep Gr Cherokee Transmission Problems 1994 Jeep Gr Cherokee Transmission Problems The Kindle Shop, a digital treasure trove of literary gems, boasts an extensive collection of books spanning varied genres, catering to every readers taste and preference. From gripping fiction and thought-provoking non-fiction to timeless classics and contemporary bestsellers, the Kindle Shop offers an exceptional variety of titles to explore. Whether seeking escape through engrossing tales of imagination and exploration, delving into the depths of past narratives, or expanding ones knowledge with insightful works of science and philosophy, the Kindle Store provides a gateway to a bookish world brimming with limitless possibilities. A Game-changing Factor in the Literary Landscape: The Enduring Influence of Kindle Books 1994 Jeep Gr Cherokee Transmission Problems The advent of E-book books has certainly reshaped the bookish landscape, introducing a model shift in the way books are published, disseminated, and read. Traditional publishing houses have embraced the digital revolution, adapting their approaches to accommodate the growing need for e-books. This has led to a surge in the availability of E-book titles, ensuring that readers have entry to a wide array of literary works at their fingers. Moreover, Kindle books have equalized entry to literature, breaking down geographical barriers and providing readers worldwide with equal opportunities to engage with the written word. Irrespective of their location or socioeconomic background, individuals can now immerse themselves in the captivating world of books, fostering a global community of readers. Conclusion: Embracing the Kindle Experience 1994 Jeep Gr Cherokee Transmission Problems Kindle books 1994 Jeep Gr Cherokee Transmission Problems, with their inherent convenience, versatility, and vast array of titles, have undoubtedly transformed the way we experience literature. They offer readers the liberty to discover the boundless realm of written expression, whenever, anywhere. As we continue to navigate the ever-evolving digital landscape, Kindle books stand as testament to the lasting power of storytelling, ensuring that the joy of reading remains accessible to all.

https://auld.rmjm.com/files/browse/Documents/Manual_Bobcat_5630.pdf

Table of Contents 1994 Jeep Gr Cherokee Transmission Problems

1. Understanding the eBook 1994 Jeep Gr Cherokee Transmission Problems
 - The Rise of Digital Reading 1994 Jeep Gr Cherokee Transmission Problems
 - Advantages of eBooks Over Traditional Books
2. Identifying 1994 Jeep Gr Cherokee Transmission Problems
 - Exploring Different Genres
 - Considering Fiction vs. Non-Fiction
 - Determining Your Reading Goals
3. Choosing the Right eBook Platform
 - Popular eBook Platforms
 - Features to Look for in an 1994 Jeep Gr Cherokee Transmission Problems
 - User-Friendly Interface
4. Exploring eBook Recommendations from 1994 Jeep Gr Cherokee Transmission Problems
 - Personalized Recommendations
 - 1994 Jeep Gr Cherokee Transmission Problems User Reviews and Ratings
 - 1994 Jeep Gr Cherokee Transmission Problems and Bestseller Lists
5. Accessing 1994 Jeep Gr Cherokee Transmission Problems Free and Paid eBooks
 - 1994 Jeep Gr Cherokee Transmission Problems Public Domain eBooks
 - 1994 Jeep Gr Cherokee Transmission Problems eBook Subscription Services
 - 1994 Jeep Gr Cherokee Transmission Problems Budget-Friendly Options
6. Navigating 1994 Jeep Gr Cherokee Transmission Problems eBook Formats
 - ePub, PDF, MOBI, and More
 - 1994 Jeep Gr Cherokee Transmission Problems Compatibility with Devices
 - 1994 Jeep Gr Cherokee Transmission Problems Enhanced eBook Features
7. Enhancing Your Reading Experience
 - Adjustable Fonts and Text Sizes of 1994 Jeep Gr Cherokee Transmission Problems
 - Highlighting and Note-Taking 1994 Jeep Gr Cherokee Transmission Problems
 - Interactive Elements 1994 Jeep Gr Cherokee Transmission Problems
8. Staying Engaged with 1994 Jeep Gr Cherokee Transmission Problems

- Joining Online Reading Communities
 - Participating in Virtual Book Clubs
 - Following Authors and Publishers 1994 Jeep Gr Cherokee Transmission Problems
9. Balancing eBooks and Physical Books 1994 Jeep Gr Cherokee Transmission Problems
- Benefits of a Digital Library
 - Creating a Diverse Reading Collection 1994 Jeep Gr Cherokee Transmission Problems
10. Overcoming Reading Challenges
- Dealing with Digital Eye Strain
 - Minimizing Distractions
 - Managing Screen Time
11. Cultivating a Reading Routine 1994 Jeep Gr Cherokee Transmission Problems
- Setting Reading Goals 1994 Jeep Gr Cherokee Transmission Problems
 - Carving Out Dedicated Reading Time
12. Sourcing Reliable Information of 1994 Jeep Gr Cherokee Transmission Problems
- Fact-Checking eBook Content of 1994 Jeep Gr Cherokee Transmission Problems
 - Distinguishing Credible Sources
13. Promoting Lifelong Learning
- Utilizing eBooks for Skill Development
 - Exploring Educational eBooks
14. Embracing eBook Trends
- Integration of Multimedia Elements
 - Interactive and Gamified eBooks

1994 Jeep Gr Cherokee Transmission Problems Introduction

In the digital age, access to information has become easier than ever before. The ability to download 1994 Jeep Gr Cherokee Transmission Problems has revolutionized the way we consume written content. Whether you are a student looking for course material, an avid reader searching for your next favorite book, or a professional seeking research papers, the option to download 1994 Jeep Gr Cherokee Transmission Problems has opened up a world of possibilities. Downloading 1994 Jeep Gr Cherokee Transmission Problems provides numerous advantages over physical copies of books and documents. Firstly, it is incredibly convenient. Gone are the days of carrying around heavy textbooks or bulky folders filled with papers. With the

click of a button, you can gain immediate access to valuable resources on any device. This convenience allows for efficient studying, researching, and reading on the go. Moreover, the cost-effective nature of downloading 1994 Jeep Gr Cherokee Transmission Problems has democratized knowledge. Traditional books and academic journals can be expensive, making it difficult for individuals with limited financial resources to access information. By offering free PDF downloads, publishers and authors are enabling a wider audience to benefit from their work. This inclusivity promotes equal opportunities for learning and personal growth. There are numerous websites and platforms where individuals can download 1994 Jeep Gr Cherokee Transmission Problems. These websites range from academic databases offering research papers and journals to online libraries with an expansive collection of books from various genres. Many authors and publishers also upload their work to specific websites, granting readers access to their content without any charge. These platforms not only provide access to existing literature but also serve as an excellent platform for undiscovered authors to share their work with the world. However, it is essential to be cautious while downloading 1994 Jeep Gr Cherokee Transmission Problems. Some websites may offer pirated or illegally obtained copies of copyrighted material. Engaging in such activities not only violates copyright laws but also undermines the efforts of authors, publishers, and researchers. To ensure ethical downloading, it is advisable to utilize reputable websites that prioritize the legal distribution of content. When downloading 1994 Jeep Gr Cherokee Transmission Problems, users should also consider the potential security risks associated with online platforms. Malicious actors may exploit vulnerabilities in unprotected websites to distribute malware or steal personal information. To protect themselves, individuals should ensure their devices have reliable antivirus software installed and validate the legitimacy of the websites they are downloading from. In conclusion, the ability to download 1994 Jeep Gr Cherokee Transmission Problems has transformed the way we access information. With the convenience, cost-effectiveness, and accessibility it offers, free PDF downloads have become a popular choice for students, researchers, and book lovers worldwide. However, it is crucial to engage in ethical downloading practices and prioritize personal security when utilizing online platforms. By doing so, individuals can make the most of the vast array of free PDF resources available and embark on a journey of continuous learning and intellectual growth.

FAQs About 1994 Jeep Gr Cherokee Transmission Problems Books

What is a 1994 Jeep Gr Cherokee Transmission Problems PDF? A PDF (Portable Document Format) is a file format developed by Adobe that preserves the layout and formatting of a document, regardless of the software, hardware, or operating system used to view or print it. **How do I create a 1994 Jeep Gr Cherokee Transmission Problems PDF?**

There are several ways to create a PDF: Use software like Adobe Acrobat, Microsoft Word, or Google Docs, which often have

built-in PDF creation tools. Print to PDF: Many applications and operating systems have a "Print to PDF" option that allows you to save a document as a PDF file instead of printing it on paper. Online converters: There are various online tools that can convert different file types to PDF. **How do I edit a 1994 Jeep Gr Cherokee Transmission Problems PDF?** Editing a PDF can be done with software like Adobe Acrobat, which allows direct editing of text, images, and other elements within the PDF. Some free tools, like PDFescape or Smallpdf, also offer basic editing capabilities. **How do I convert a 1994 Jeep Gr Cherokee Transmission Problems PDF to another file format?** There are multiple ways to convert a PDF to another format: Use online converters like Smallpdf, Zamzar, or Adobe Acrobats export feature to convert PDFs to formats like Word, Excel, JPEG, etc. Software like Adobe Acrobat, Microsoft Word, or other PDF editors may have options to export or save PDFs in different formats. **How do I password-protect a 1994 Jeep Gr Cherokee Transmission Problems PDF?** Most PDF editing software allows you to add password protection. In Adobe Acrobat, for instance, you can go to "File" -> "Properties" -> "Security" to set a password to restrict access or editing capabilities. Are there any free alternatives to Adobe Acrobat for working with PDFs? Yes, there are many free alternatives for working with PDFs, such as: LibreOffice: Offers PDF editing features. PDFsam: Allows splitting, merging, and editing PDFs. Foxit Reader: Provides basic PDF viewing and editing capabilities. How do I compress a PDF file? You can use online tools like Smallpdf, ILovePDF, or desktop software like Adobe Acrobat to compress PDF files without significant quality loss. Compression reduces the file size, making it easier to share and download. Can I fill out forms in a PDF file? Yes, most PDF viewers/editors like Adobe Acrobat, Preview (on Mac), or various online tools allow you to fill out forms in PDF files by selecting text fields and entering information. Are there any restrictions when working with PDFs? Some PDFs might have restrictions set by their creator, such as password protection, editing restrictions, or print restrictions. Breaking these restrictions might require specific software or tools, which may or may not be legal depending on the circumstances and local laws.

Find 1994 Jeep Gr Cherokee Transmission Problems :

[manual bobcat 5630](#)

1970 mercury outboard manual

brompton hospital guide to chest physiotherapy hardcover

workshop manual for suzuki lt50

2003 dodge dakota manual

manual bmw serie 1

[instructors resource manual for educating exceptional children](#)

[04 hyundai tiburon v6 repair manual](#)

**1994 jeep cherokee xj workshop service repair manual
improved techniques for the extraction of primary forms of energy
manual nissan 240sx for sale**

[ohio school bus cdl manual](#)

[fishermans summer](#)

[land use law](#)

the russians ultimatum mills boon modern

1994 Jeep Gr Cherokee Transmission Problems :

the secret teachings of jesus four gnostic gospels - Aug 15 2023

web may 12 1986 in this volume marvin w meyer has produced a new english translation for general readers of four of the most important and revealing of these early christian texts the secret book of james the gospel of thomas the

the secret teachings of jesus four gnostic gospels paperback - Feb 09 2023

web may 12 1986 in this volume marvin w meyer has produced a new english translation for general readers of four of the most important and revealing of these early christian texts the secret book of james the gospel of thomas the book of thomas and the secret book of john read more print length 160 pages language english publisher vintage

colloquy podcast the secret teachings of jesus - Apr 11 2023

web apr 6 2023 the princeton university scholar elaine pagels phd 70 says that this text discovered in egypt in 1945 along with the gospel of philip contains christ s secret teachings in contrast to those meant for public worship and included in the four canonical gospels of the new testament

the secret teachings of jesus keith giles patheos - Mar 30 2022

web mar 29 2022 the secret teachings of jesus keith giles one of the main objections to the so called gnostic gospels is that they claim to contain the secret teachings of jesus that were

the secret teachings of jesus four gnostic gospels ebook - Dec 07 2022

web in the secret teachings of jesus marvin meyer a scholar of coptic and gnostic studies offers a fresh translation of four coptic late egyptian texts from the nag hammadi library the secret book of james the gospel of thomas the book of thomas and the secret book of john

[the secret teachings of jesus four gnostic gospels](#) - Dec 27 2021

web the secret teachings of jesus four gnostic gospels meyer marvin w free download borrow and streaming internet archive
the secret teachings of jesus four gnostic gospels abebooks - Feb 26 2022

web in this volume marvin w meyer has produced a new english translation for general readers of four of the most important and revealing of these early christian texts mdash the secret book of james the gospel of thomas the book of

[the secret teachings of jesus the secret teachings of jesus](#) - May 12 2023

web jul 14 2021 writing in her book the gnostic gospels the religious scholar elaine pagels informs us that 3 of the 4 biblical gospels say that the kingdom will come in the near future but there s an

the secret teachings of jesus four gnostic gospels ebook - Jul 02 2022

web the secret teachings of jesus four gnostic gospels translator 15 40 4 80 4 80 kindle e readers see all supported devices in december 1945 two egyptian fellahin digging for natural fertilizer in the Nile river valley unearthed a sealed storage jar

[also by marvin w meyer archive org](#) - Jan 08 2023

web aug 1 2022 four two the gospel of thomas and the secret book of john are classics of gnostic spirituality known also from other manuscripts or fragments of manuscripts all four of the works are described in the title or the opening of the text as secret teachings of the savior and reliable followers of jesus his brother james judas thomas

the secret teachings of jesus four gnostic gospels - Oct 05 2022

web amazon us sold by amazon us buy used 12 60 have one to sell sell on amazon see this image follow the author marvin meyer the secret teachings of jesus four gnostic gospels paperback 15 sept 1988

the secret teachings of jesus four gnostic gospels - Aug 03 2022

web the secret teachings of jesus four gnostic gospels paperback 4 5 81 ratings see all formats and editions paperback print length 160 pages print length 160 pages language english dimensions 12 95 x 1 02 x 20 32 cm isbn 10 0394744330 isbn 13 978 0394744339 see all details product details language english

loading interface goodreads - Jan 28 2022

web discover and share books you love on goodreads

the secret teachings of jesus four gnostic gospels - Jun 13 2023

web the secret teachings of jesus four gnostic gospels google books 4 revealing christian texts founded in 1945 in egypt which provide invaluable information about the character of the early

the secret teachings of jesus four book by marvin w meyer - Jun 01 2022

web buy a cheap copy of the secret teachings of jesus four book by marvin w meyer in december 1945 two egyptian fellahin digging for natural fertilizer in the Nile river valley unearthed a sealed storage jar the jar proved to hold treasure of free shipping on all orders over 15

the secret teachings of jesus four gnostic gospels ebook - Sep 04 2022

web the secret teachings of jesus four gnostic gospels 45 21 58 16 in this volume marvin w meyer has produced a new

english translation for general readers of four of the most important and revealing of these early christian texts the secret book of james the gospel of thomas the book of thomas and the secret book of john

the story of the storytellers the gnostic gospels pbs - Nov 06 2022

web the gnostic gospels the 52 texts discovered in nag hammadi egypt include secret gospels poems and myths attributing to jesus sayings and beliefs which are very different from the new

[amazon.com customer reviews the secret teachings of jesus four](#) - Apr 30 2022

web the secret teachings of jesus four gnostic gospels customer reviews top positive review rama rao vine voice gnosticism is a mystical esoteric religious movement that existed during the very early phase of christianism

the secret teachings of jesus four gnostic gospels - Mar 10 2023

web sep 12 2022 in this volume marvin w meyer has produced a new english translation for general readers of four of the most important and revealing of these early christian texts the secret book of james the gospel of thomas the book of thomas and the secret book of john includes bibliographical references pages 121 129

[the secret teachings of jesus gnosis study](#) - Jul 14 2023

web the secret teachings of jesus reprint originally published in hardcover by random house inc in 1984 1 gnosticism 2 jesus christ teachings i meyer marvin w ii title bt1390 n33213 1986 229 8052 85 40864 isbn 978 0 307 75664 0 v3 1 4 to stephen and jonathan 5 gospel of thomas saying 2 acknowledgments

wind energy handbook 2nd edition wind energy renewable energy - Aug 20 2023

web firmly established as an essential reference wind energy handbook second edition will prove a real asset to engineers turbine designers and wind energy consultants both in industry and research advanced engineering students and new entrants to the wind energy sector will also find it an invaluable resource

wind energy handbook 3rd edition wiley - Jun 06 2022

web fully updated and authoritative reference to wind energy technology written by leading academic and industry professionals the newly revised third edition of the wind energy handbook delivers a fully updated treatment of key developments in wind technology since the publication of the books second edition in 2011

[wind energy handbook google books](#) - Jul 07 2022

web apr 21 2021 wind energy handbook tony l burton nick jenkins ervin bossanyi david sharpe michael graham john wiley sons apr 21 2021 science 1008 pages fully updated and authoritative

wind energy handbook hardcover 6 may 2011 amazon.co.uk - Jun 18 2023

web may 6 2011 the authoritative reference on wind energy now fully revised and updated to include offshore wind power a decade on from its first release the wind energy handbook second edition reflects the advances in technology underpinning

the continued expansion of the global wind power sector

wind energy handbook 3e wiley online books - Jan 13 2023

web apr 27 2021 fully updated and authoritative reference to wind energy technology written by leading academic and industry professionals the newly revised third edition of the wind energy handbook delivers a fully updated treatment of key developments in wind technology since the publication of the book s second edition in 2011

wind energy handbook 3rd edition wiley - May 05 2022

web the newly revised third edition of the wind energy handbook delivers a fully updated treatment of key developments in wind technology since the publication of the book s second edition in 2011

wind energy engineering sciencedirect - Apr 04 2022

web wind energy engineering a handbook for onshore and offshore wind turbines is the most advanced up to date and research focused text on all aspects of wind energy engineering wind energy is pivotal in global electricity generation and for achieving future essential energy demands and targets

wind energy handbook 2nd edition wiley - Sep 21 2023

web the authoritative reference on wind energy now fully revised and updated to include offshore wind power a decade on from its first release the wind energy handbook second edition reflects the advances in technology underpinning the continued expansion of the global wind power sector

wind energy handbook wiley online books - Feb 14 2023

web sep 27 2001 chapter 1 introduction pages 1 9 summary pdf request permissions chapter 2 the wind resource pages 11 39 summary pdf request permissions chapter 3 aerodynamics of horizontal axis wind turbines pages 41 172 summary pdf request permissions chapter 4 wind turbine performance pages

wind energy handbook 2nd ed by tony burton ebook - Mar 15 2023

web firmly established as an essential reference wind energy handbook second edition will prove a real asset to engineers turbine designers and wind energy consultants both in industry and research advanced engineering students and new entrants to the wind energy sector will also find it an invaluable resource show more ratings and reviews

wind energy handbook wiley online books - Oct 22 2023

web may 3 2011 the authoritative reference on wind energy now fully revised and updated to include offshore wind power a decade on from its first release the wind energy handbook second edition reflects the advances in technology underpinning the continued expansion of the global wind power sector

wind energy engineering sciencedirect - Dec 12 2022

web wind energy engineering a handbook for onshore and offshore wind turbines second edition continues to be the most

advanced up to date and research focused text on all aspects of wind energy engineering

9780470699751 wind energy handbook 2e abebooks - Oct 10 2022

web wind energy handbook 2e by burton at abebooks co uk isbn 10 0470699752 isbn 13 9780470699751 john wiley sons 2011 hardcover

wind energy handbook 2nd edition vitalsource - May 17 2023

web fully revised and updated now covering offshore wind turbines this is a comprehensive description of the mechanical electrical aerodynamic meteorological and planning aspects of modern wind turbines this is a digital product additional isbns 9781119993933 9781119993926 9781119992721 9781299189171 subjects technology engineering

wind energy handbook jstor - Mar 03 2022

web the wind energy handbook therefore breaks new ground in engineering since it establishes the subject within a professional environment the book will become essential in every wind turbine design office as the wind engineering bible and within universities as the text for comprehensive application and leading edge development

wind energy handbook second edition request pdf - Nov 11 2022

web may 3 2011 wind energy handbook second edition request pdf authors tony burton independent researcher nick jenkins cardiff university david sharpe ervin bossanyi det norske veritas request

wind energy united diversity - Aug 08 2022

web 1 2 modern wind turbines 6 1 3 scope of the book 7 references 8 bibliography 9 2 the wind resource 11 2 1 the nature of the wind 11 2 2 geographical variation in the wind resource 12 2 3 long term wind speed variations 13 2 4 annual and seasonal variations 14 2 5 synoptic and diurnal variations 16 2 6 turbulence 17 2 6 1 the nature of

wind energy engineering 2nd edition elsevier - Sep 09 2022

web may 8 2023 wind energy engineering a handbook for onshore and offshore wind turbines 2nd edition may 8 2023 editor trevor letcher hardback isbn 9780323993531 ebook isbn 9780323958301 purchase options limited offer save 50 on book bundles immediately download your ebook while waiting for your print

wind energy handbook edition 2 by tony burton nick jenkins - Apr 16 2023

web wind energy handbook edition 2 ebook written by tony burton nick jenkins david sharpe ervin bossanyi read this book using google play books app on your pc android ios devices

wiley vch wind energy handbook - Jul 19 2023

web fully updated and authoritative reference to wind energy technology written by leading academic and industry professionals the newly revised third edition of the wind energy handbook delivers a fully updated treatment of key developments in wind technology since the publication of the book s second edition in 2011

romans chra c tien de troyes copy uniport edu - Jun 21 2022

web romans chra c tien de troyes 1 1 downloaded from uniport edu ng on september 26 2023 by guest romans chra c tien de troyes recognizing the way ways to acquire this book romans chra c tien de troyes is additionally useful you have remained in right site to begin getting this info get the romans chra c tien de troyes colleague that

chrétien de troyes wikipedia - Oct 06 2023

web works chrétien s works include five major poems in rhyming eight syllable couplets four of these are complete eric and enide c 1170 cligès c 1176 yvain the knight of the lion and lancelot the knight of the cart the latter

romans chrétien de troyes by chrétien de troyes - Nov 26 2022

web jun 7 2023 rapide biographie de chrétien de troyes c est un poete français né en 1135 apres j c Étant aussi un auteur de roman de littérature courtoise il a écrit cinq romans chevalesques les plus célèbres sont lancelot ou le chevalier a la charrette yvain ou le chevalier au lion perceval ou le

romans chra c tien de troyes pdf uniport edu - Jul 23 2022

web apr 23 2023 romans chra c tien de troyes 2 5 downloaded from uniport edu ng on april 23 2023 by guest dictionary catalog of the research libraries of the new york public library 1911 1971 new york public library research libraries 1979 the poetical works of sir walter scott bart walter scott 1899

romans chra c tien de troyes 2023 tpc redmatters - Jul 03 2023

web romans chra c tien de troyes 5 5 construction and the make up of the present day system as well as the diachronic stages that lead to the present state the book focuses on three main issues first it is concerned with the general notion of evidentiality its deictic character and with the interrelations between the domains of evidentiality

romans chra c tien de troyes pdf renewalcc - Apr 19 2022

web histoire ecclesiastique par m fleury prêtre prier d argenteuil et confesseur du roi tome premier vingtième romans chra c tien de troyes downloaded from renewalcc com by guest page lizeth the practical standard dictionary of the english language walter de gruyter this book is a comprehensive study of the

romans chrétien de troyes by chrétien de troyes - Sep 24 2022

web sep 26 2023 march 28th 2019 rapide biographie de chrétien de troyes c est un poete français né en 1135 apres j c Étant aussi un auteur de roman de littérature courtoise il a écrit cinq romans chevalesques les plus célèbres sont lancelot ou le chevalier a la charrette yvain ou le chevalier au lion perceval ou le conte de graal download ebook

romans chra c tien de troyes uniport edu - May 21 2022

web sep 28 2023 romans chra c tien de troyes 1 1 downloaded from uniport edu ng on september 28 2023 by guest romans chra c tien de troyes thank you very much for reading romans chra c tien de troyes as you may know people have search

numerous times for their favorite novels like this romans chra c tien de troyes but end up in
the complete romances of chrétien de troyes on jstor - Jun 02 2023

web christian sows and plants the seed of a romance he is beginning and sows it on such good ground that it cannot but yield a fine harvest for he does it on behalf of the worthiest man in the empire of rome this man is philip count of flanders whose worthiness surpasses that of alexander

the complete romances of chrétien de troyes indiana - Mar 31 2023

web the complete romances of chrétien de troyes download print leaflet the complete romances of chrétien de troyes by david staines published by indiana university press 576 pages paperback 9780253207876 published january 1991 23 00 add to cart ebook 9780253013231 published january 1991 22 99

chrétien de troyes author of arthurian romances goodreads - May 01 2023

web influences celtic myth edit data chrétien de troyes commonly regarded as the father of arthurian romance and a key figure in western literature composed in french in the latter part of the twelfth century virtually nothing is known of his life possibly a native of troyes he enjoyed patronage there from the countess marie of champagne

romans chrétien de troyes by chrétien de troyes - Dec 28 2022

web 1160 chrestien de troyes posa sur le thème d yvain pagnon de la table ronde un poème qu il intitula le chevalier au de chrétien de troyes au tristan en prose de tous les romans de chrétien de troyes c est peut être le chevalier au lion qui est le plus riche de ique et le petit livre récent de tony hunt sur yvain note que chrétien de troyes

romans chrétien de troyes by chrétien de troyes - Aug 24 2022

web jun 10 2023 investing extra funds this romans chrétien de troyes by chrétien de troyes as one of the greater part functioning sellers here will wholly be joined by the best selections to review along with tutorials you could relish the now is romans chrétien de troyes by chrétien de troyes below you might not be mystified to enjoy every book

romans chra c tien de troyes pdf uniport edu - Mar 19 2022

web jun 7 2023 romans chra c tien de troyes 1 5 downloaded from uniport edu ng on june 7 2023 by guest romans chra c tien de troyes if you ally compulsion such a referred romans chra c tien de troyes books that will allow you worth get the no question best seller from us currently from several preferred authors if you desire to droll

romans chrétien de troyes by chrétien de troyes - Oct 26 2022

web book romans chrétien de troyes by chrétien de troyes moreover it is not straight done you could believe even more roughly this life nearly the world if you want to amusing stories lots of books tale laughs and more fictions collections are also initiated from best seller to one of the most present published we

romans chra c tien de troyes download only - Sep 05 2023

web romans chra c tien de troyes 1 romans chra c tien de troyes the practical standard dictionary of the english language
dictionnaire d archéologie chrétienne et de liturgie publié par le r p dom fernand cabrol avec le concours d un grand nombre
de collaborateurs the british museum catalogue of printed books 1881 1900 nordisk

[romans chra c tien de troyes uniport edu](#) - Feb 15 2022

web jun 7 2023 romans chra c tien de troyes 2 6 downloaded from uniport edu ng on june 7 2023 by guest the works of sir
walter scott bart walter scott 1857 barbarians to angels the dark ages reconsidered peter s wells 2009 08 24 a history of the
dark ages in europe challenges popular beliefs while drawing on archaeological findings to profile a

[the complete romances of chrétien de troyes goodreads](#) - Aug 04 2023

web chrétien de troyes romans de la table ronde written in early french language from 1170 to about 1185 the stories of king
arthur and his knights five of these stories have survived the centuries and are assembled in this collection eric et enide
cligès le chevalier de la charrette the story of lancelot

loading interface goodreads - Jan 29 2023

web discover and share books you love on goodreads

[chra c tien de troyes oeuvres complètes](#) - Feb 27 2023

web chra c tien de troyes oeuvres complètes four arthurian romances jun 26 2022 chr tien de troyes four arthurian
romances continued and expanded on existing arthurian legends but began the arthurian romance genre so popular in
medieval literature his tales often diverge from arthur himself focussing instead on the characters