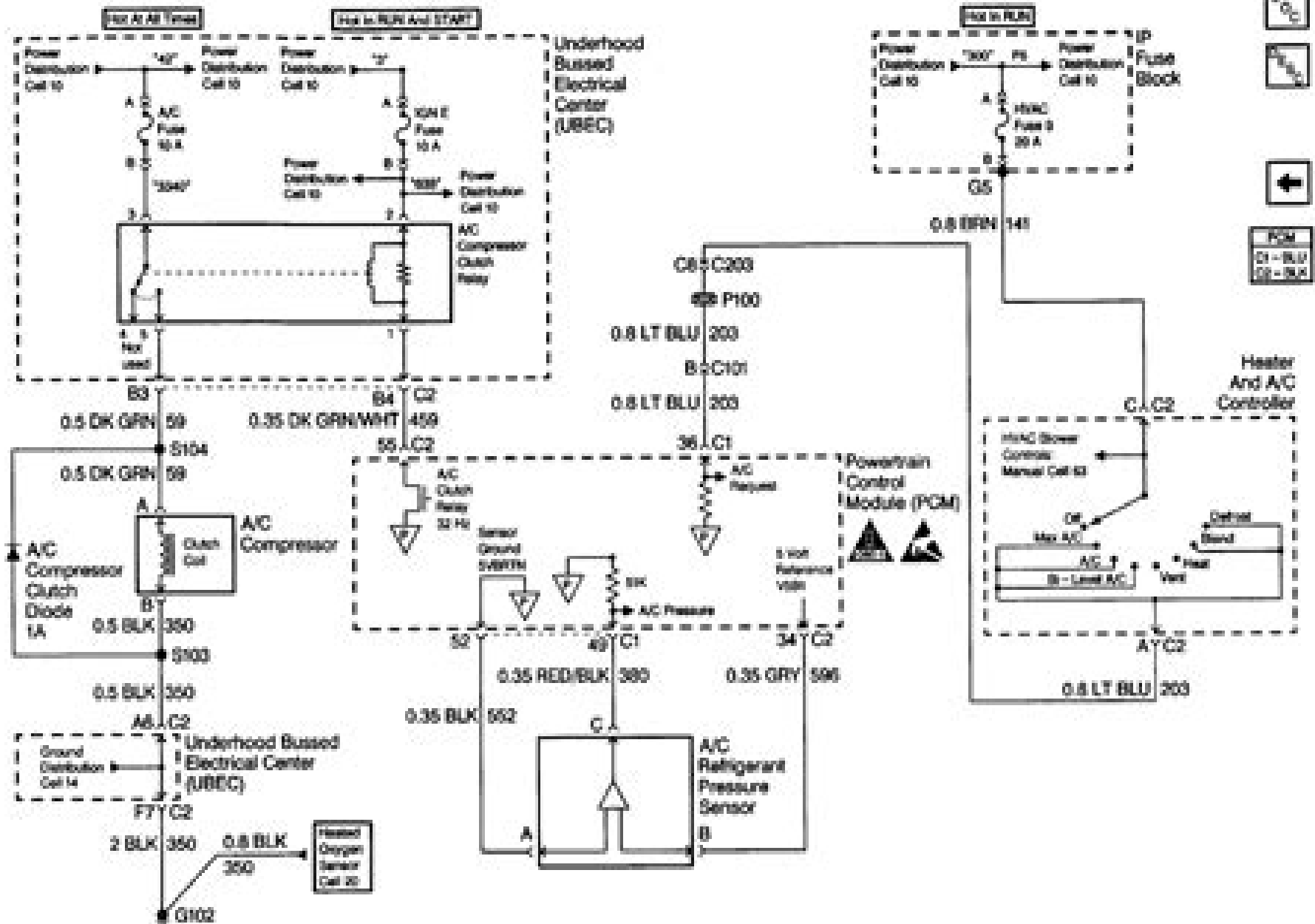


Engine Controls Schematics (A/C Compressor Controls)



Blazer Ac Wiring Diagram

Daniel F McAuley



Blazer Ac Wiring Diagram:

Motor 1988 General Motors Wiring Diagram Manual ,1989 *Electrical Construction and Maintenance* ,1984
Air Conditioning, Heating and Ventilating ,1968 **Chilton's Repair & Tune-up Guide Blazer/Jimmy 1969-80**
Chilton Book Company,1980 **Model Railroader** ,1949 **The National Electrical Contractor** ,1922 **1993**
Mitchell Domestic Light Trucks & Vans Service & Repair Mitchell International,1993 Refrigerating Engineering
,1958 Vols 1 17 include Proceedings of the 10th 24th 1914 28 annual meeting of the society Chevrolet & GMC Pick-ups
Automotive Repair Manual Ken Freund,John Harold Haynes,1990 *Electri-onics* ,1985 **Bowker's Complete Video**
Directory, 1998 ,1998 **National Electragist** ,1922 **Trailer Life** ,1978 **Popular Electronics** ,1977 *Polk's*
Bank Directory ,1962 Chilton's Truck and Van Repair Manual ,1978 Presents removal and installation procedures and on
truck adjustments for repairing older model trucks or vans *Electronic Design's Gold Book* ,1978 **Actual Specifying**
Engineer ,1972 *Catalog of Sears, Roebuck and Company* Sears, Roebuck and Company,1975 **Chilton's Truck and**
Van Repair Manual Chilton Automotive Books,1980

Eventually, you will utterly discover a extra experience and expertise by spending more cash. still when? realize you endure that you require to get those all needs considering having significantly cash? Why dont you try to get something basic in the beginning? Thats something that will guide you to understand even more approximately the globe, experience, some places, bearing in mind history, amusement, and a lot more?

It is your utterly own times to play a part reviewing habit. along with guides you could enjoy now is **Blazer Ac Wiring Digram** below.

<https://auld.rmjm.com/data/Resources/index.jsp/structure%20of%20human%20life%20a%20vitalist%20ontol.pdf>

Table of Contents Blazer Ac Wiring Digram

1. Understanding the eBook Blazer Ac Wiring Digram
 - The Rise of Digital Reading Blazer Ac Wiring Digram
 - Advantages of eBooks Over Traditional Books
2. Identifying Blazer Ac Wiring Digram
 - Exploring Different Genres
 - Considering Fiction vs. Non-Fiction
 - Determining Your Reading Goals
3. Choosing the Right eBook Platform
 - Popular eBook Platforms
 - Features to Look for in an Blazer Ac Wiring Digram
 - User-Friendly Interface
4. Exploring eBook Recommendations from Blazer Ac Wiring Digram
 - Personalized Recommendations
 - Blazer Ac Wiring Digram User Reviews and Ratings
 - Blazer Ac Wiring Digram and Bestseller Lists
5. Accessing Blazer Ac Wiring Digram Free and Paid eBooks

- Blazer Ac Wiring Digram Public Domain eBooks
 - Blazer Ac Wiring Digram eBook Subscription Services
 - Blazer Ac Wiring Digram Budget-Friendly Options
6. Navigating Blazer Ac Wiring Digram eBook Formats
 - ePub, PDF, MOBI, and More
 - Blazer Ac Wiring Digram Compatibility with Devices
 - Blazer Ac Wiring Digram Enhanced eBook Features
 7. Enhancing Your Reading Experience
 - Adjustable Fonts and Text Sizes of Blazer Ac Wiring Digram
 - Highlighting and Note-Taking Blazer Ac Wiring Digram
 - Interactive Elements Blazer Ac Wiring Digram
 8. Staying Engaged with Blazer Ac Wiring Digram
 - Joining Online Reading Communities
 - Participating in Virtual Book Clubs
 - Following Authors and Publishers Blazer Ac Wiring Digram
 9. Balancing eBooks and Physical Books Blazer Ac Wiring Digram
 - Benefits of a Digital Library
 - Creating a Diverse Reading Collection Blazer Ac Wiring Digram
 10. Overcoming Reading Challenges
 - Dealing with Digital Eye Strain
 - Minimizing Distractions
 - Managing Screen Time
 11. Cultivating a Reading Routine Blazer Ac Wiring Digram
 - Setting Reading Goals Blazer Ac Wiring Digram
 - Carving Out Dedicated Reading Time
 12. Sourcing Reliable Information of Blazer Ac Wiring Digram
 - Fact-Checking eBook Content of Blazer Ac Wiring Digram
 - Distinguishing Credible Sources
 13. Promoting Lifelong Learning
 - Utilizing eBooks for Skill Development

- Exploring Educational eBooks
14. Embracing eBook Trends
- Integration of Multimedia Elements
 - Interactive and Gamified eBooks

Blazer Ac Wiring Digram Introduction

In this digital age, the convenience of accessing information at our fingertips has become a necessity. Whether its research papers, eBooks, or user manuals, PDF files have become the preferred format for sharing and reading documents. However, the cost associated with purchasing PDF files can sometimes be a barrier for many individuals and organizations. Thankfully, there are numerous websites and platforms that allow users to download free PDF files legally. In this article, we will explore some of the best platforms to download free PDFs. One of the most popular platforms to download free PDF files is Project Gutenberg. This online library offers over 60,000 free eBooks that are in the public domain. From classic literature to historical documents, Project Gutenberg provides a wide range of PDF files that can be downloaded and enjoyed on various devices. The website is user-friendly and allows users to search for specific titles or browse through different categories. Another reliable platform for downloading Blazer Ac Wiring Digram free PDF files is Open Library. With its vast collection of over 1 million eBooks, Open Library has something for every reader. The website offers a seamless experience by providing options to borrow or download PDF files. Users simply need to create a free account to access this treasure trove of knowledge. Open Library also allows users to contribute by uploading and sharing their own PDF files, making it a collaborative platform for book enthusiasts. For those interested in academic resources, there are websites dedicated to providing free PDFs of research papers and scientific articles. One such website is Academia.edu, which allows researchers and scholars to share their work with a global audience. Users can download PDF files of research papers, theses, and dissertations covering a wide range of subjects. Academia.edu also provides a platform for discussions and networking within the academic community. When it comes to downloading Blazer Ac Wiring Digram free PDF files of magazines, brochures, and catalogs, Issuu is a popular choice. This digital publishing platform hosts a vast collection of publications from around the world. Users can search for specific titles or explore various categories and genres. Issuu offers a seamless reading experience with its user-friendly interface and allows users to download PDF files for offline reading. Apart from dedicated platforms, search engines also play a crucial role in finding free PDF files. Google, for instance, has an advanced search feature that allows users to filter results by file type. By specifying the file type as "PDF," users can find websites that offer free PDF downloads on a specific topic. While downloading Blazer Ac Wiring Digram free PDF files is convenient, its important to note that copyright laws must be respected. Always ensure that the PDF files you download are legally available

for free. Many authors and publishers voluntarily provide free PDF versions of their work, but its essential to be cautious and verify the authenticity of the source before downloading Blazer Ac Wiring Digram. In conclusion, the internet offers numerous platforms and websites that allow users to download free PDF files legally. Whether its classic literature, research papers, or magazines, there is something for everyone. The platforms mentioned in this article, such as Project Gutenberg, Open Library, Academia.edu, and Issuu, provide access to a vast collection of PDF files. However, users should always be cautious and verify the legality of the source before downloading Blazer Ac Wiring Digram any PDF files. With these platforms, the world of PDF downloads is just a click away.

FAQs About Blazer Ac Wiring Digram Books

How do I know which eBook platform is the best for me? Finding the best eBook platform depends on your reading preferences and device compatibility. Research different platforms, read user reviews, and explore their features before making a choice. Are free eBooks of good quality? Yes, many reputable platforms offer high-quality free eBooks, including classics and public domain works. However, make sure to verify the source to ensure the eBook credibility. Can I read eBooks without an eReader? Absolutely! Most eBook platforms offer webbased readers or mobile apps that allow you to read eBooks on your computer, tablet, or smartphone. How do I avoid digital eye strain while reading eBooks? To prevent digital eye strain, take regular breaks, adjust the font size and background color, and ensure proper lighting while reading eBooks. What the advantage of interactive eBooks? Interactive eBooks incorporate multimedia elements, quizzes, and activities, enhancing the reader engagement and providing a more immersive learning experience. Blazer Ac Wiring Digram is one of the best book in our library for free trial. We provide copy of Blazer Ac Wiring Digram in digital format, so the resources that you find are reliable. There are also many Ebooks of related with Blazer Ac Wiring Digram. Where to download Blazer Ac Wiring Digram online for free? Are you looking for Blazer Ac Wiring Digram PDF? This is definitely going to save you time and cash in something you should think about. If you trying to find then search around for online. Without a doubt there are numerous these available and many of them have the freedom. However without doubt you receive whatever you purchase. An alternate way to get ideas is always to check another Blazer Ac Wiring Digram. This method for see exactly what may be included and adopt these ideas to your book. This site will almost certainly help you save time and effort, money and stress. If you are looking for free books then you really should consider finding to assist you try this. Several of Blazer Ac Wiring Digram are for sale to free while some are payable. If you arent sure if the books you would like to download works with for usage along with your computer, it is possible to download free trials. The free guides make it easy for someone to free access online library for download books to your device. You can get free download on free trial for lots of books categories.

Our library is the biggest of these that have literally hundreds of thousands of different products categories represented. You will also see that there are specific sites catered to different product types or categories, brands or niches related with Blazer Ac Wiring Digram. So depending on what exactly you are searching, you will be able to choose e books to suit your own need. Need to access completely for Campbell Biology Seventh Edition book? Access Ebook without any digging. And by having access to our ebook online or by storing it on your computer, you have convenient answers with Blazer Ac Wiring Digram To get started finding Blazer Ac Wiring Digram, you are right to find our website which has a comprehensive collection of books online. Our library is the biggest of these that have literally hundreds of thousands of different products represented. You will also see that there are specific sites catered to different categories or niches related with Blazer Ac Wiring Digram So depending on what exactly you are searching, you will be able to choose ebook to suit your own need. Thank you for reading Blazer Ac Wiring Digram. Maybe you have knowledge that, people have search numerous times for their favorite readings like this Blazer Ac Wiring Digram, but end up in harmful downloads. Rather than reading a good book with a cup of coffee in the afternoon, instead they juggled with some harmful bugs inside their laptop. Blazer Ac Wiring Digram is available in our book collection an online access to it is set as public so you can download it instantly. Our digital library spans in multiple locations, allowing you to get the most less latency time to download any of our books like this one. Merely said, Blazer Ac Wiring Digram is universally compatible with any devices to read.

Find Blazer Ac Wiring Digram :

~~structure of human life a vitalist ontol~~

~~stringbeans trip to the shining sea~~

stripping analysis principles instrumentation and applications

~~student solutions manual to the second edition of chemistry~~

~~stuck in a stinky den hermie and friends 3~~

structure of international society

~~student solutions manual to accompany investigating prealgebra.~~

student leadership practices inventory lpi

~~stud. ed. of autosketch ver 3~~

~~stripper shoes~~

~~student teaching~~

structure theology in the

~~structures and approximations for electrons in molecules~~

student activities manual used with ... rusch-fuentes

student handbook a review guide activities manual and reader for understanding psychology

Blazer Ac Wiring Digram :

die cerebral parese im kindesalter ein leitfaden 2023 - Apr 02 2023

web die cerebral parese im kindesalter ein leitfaden bibliographic index may 25 2020 pediatric stroke manual feb 20 2020

das erste deutsche pediatric stroke manual an

cerebralparese usz - May 03 2023

web cerebralparese behandlung mit cerebralparese auch infantile cerebralparese werden symptome beschrieben die durch hirnschädigungen vor während oder nach der

die cerebralparese im kindesalter ein leitfaden intranet2 flintcooper - Nov 28 2022

web die cerebral parese im kindesalter springer verlag die flut neuer diagnostischer und therapeutischer möglichkeiten macht es bei seltenen erkrankungen schwer den

8106363 nlm catalog result - Jun 04 2023

web 1 author s kalbe udo title s die cerebral parese im kindesalter ein leitfaden für Ärzte studenten therapeuten pädagogen und pflegeberufe udo kalbe

die cerebral parese im kindesalter ein leitfaden antje - Oct 08 2023

web die cerebral parese im kindesalter ein leitfaden die cerebral parese im kindesalter ein leitfaden 3 downloaded from donate pfi org on 2022 08 24 by guest handbuch heilpädagogischer konzepte und methoden christina reichenbach 2023 03 08 in

die cerebral parese im kindesalter ein leitfaden - Mar 21 2022

web as this die cerebral parese im kindesalter ein leitfaden it ends stirring living thing one of the favored ebook die cerebral parese im kindesalter ein leitfaden collections that

die cerebral parese im kindesalter ein leitfaden db csda - Sep 07 2023

web 4 die cerebral parese im kindesalter ein leitfaden 2021 04 24 possible implications for a wide range of questions about human abilities and disabilities including verbal and non

die cerebral parese im kindesalter ein leitfaden download - Jun 23 2022

web 2 die cerebral parese im kindesalter ein leitfaden 2020 04 10 are diagnosed how the media manipulates the public the controversy surrounding vaccinations and more

infantile cerebralparese lexikon der neurowissenschaft - Jan 31 2023

web infantile cerebralparese cerebrale kinderlähmung cerebralparese infantile zerebralparese paralysis infantum e infantile cerebral palsy störung der

die cerebral parese im kindesalter ein leitfaden copy - Jul 05 2023

web die cerebral parese im kindesalter ein leitfaden asthma bronchiale im kindesalter oct 03 2021 lehrbuch der speziellen kinder und jugendpsychiatrie may 18 2020

die cerebral parese im kindesalter ein leitfaden download - Dec 18 2021

web die cerebral parese im kindesalter ein leitfaden 3 3 die cerebral parese im kindesalter ein leitfaden downloaded from vps huratips com by guest salazar

die cerebral parese im kindesalter ein leitfaden - Dec 30 2022

web die zerebralen bewegungsstörungen im säuglingsalter väter schwerstbehinderter kinder kinder mit cerebralen zerebralen bewegungsstörungen die motoskopische erkennung

die cerebral parese im kindesalter ein leitfaden - Nov 16 2021

web jul 21 2023 bearing in mind this one merely said the die cerebral parese im kindesalter ein leitfaden is universally compatible with any devices to read geistige

die cerebral parese im kindesalter by udo kalbe - Aug 26 2022

web körperbehinderten in fengler jansen hrsg die cerebral parese im kindesalter ein leitfaden für ärzte studenten therapeuten pädagogen und pflegeberufe sklerose cerebral parese

leitfaden therapieverfahren bei cerebralparesen - Aug 06 2023

web als erste Überblickssammlung hat das kindernetzwerk bereits im jahr 2006 in enger kooperation mit der damals gemeinsam von fachleuten wie betroffenen getragenen cp

die cerebral parese im kindesalter ein leitfaden pdf beta atanet - Sep 26 2022

web die cerebral parese im kindesalter opening the doors of perception index catalogue of the library of the surgeon general s office united states army die cerebral parese

die cerebral parese im kindesalter ein leitfaden - May 23 2022

web this on line statement die cerebral parese im kindesalter ein leitfaden as without difficulty as evaluation them wherever you are now challenging behaviour eric

die cerebral parese im kindesalter ein leitfaden - Jan 19 2022

web die cerebral parese im kindesalter ein leitfaden die cerebral parese im kindesalter ein leitfaden 1 downloaded from donate pfi org on 2021 02 11 by guest notice die

die cerebral parese im kindesalter ein leitfaden - Jul 25 2022

web die cerebral parese im kindesalter ein leitfaden die cerebral parese im kindesalter ein leitfaden 1 downloaded from nysm pfi org on 2022 12 08 by guest as recognized

infantile zerebralparese bionity com - Oct 28 2022

web unter dem ausdruck infantile zerebralparese oder cerebralparese von cerebrum gehirn und parese lähmung versteht man bewegungsstörungen deren ursache in einer

die cerebral parese im kindesalter ein leitfaden - Feb 17 2022

web die cerebral parese im kindesalter ein leitfaden is available in our digital library an online access to it is set as public so you can get it instantly our books collection spans

die cerebralparese im kindesalter ein leitfaden pdf e - Apr 21 2022

web die cerebral parese im kindesalter basics pädiatrie das deutsche gesundheitswesen endoscopic evaluation and treatment of swallowing disorders leitfaden palliative care

cerebralparese ursachen symptome diagnostik - Mar 01 2023

web dazu gehören unter anderem stoffwechseldiagnostik genetische diagnostik von einfach bis komplex abklärung von risikofaktoren wie einer thrombophilie neigung zu

top 45 easy christian worship songs to play on guitar tabs - Mar 18 2022

web hal leonard presents this 80 song collection of gospel hymns featuring complete lyrics chord symbols and piano chord diagrams for classics like the old rugged cross

amazon com christian songbook - Jul 22 2022

web play all christian songs for guitar at e chords watch and learn how to play christian chords and tabs with our video lessons

amazon com christian music guitar books - Sep 23 2022

web jul 28 2023 1 amazing grace by judy collins 2 amazing love by hillsong worship 3 how great is our god by chris tomlin 4 battle hymn of the republic by julia ward

christian guitar tabs musicnotes com - Feb 26 2023

web 19 rows oh thou who camest from above hereford john hughes guide me o thou great redeemer bread of heaven cwm rhondda chord version trad let all mortal

gospel hymns piano chord songbook christianbook com - Dec 15 2021

christian ukulele songs with chords and tabs ukutabs - Jan 16 2022

worshipchords 1 worship leader resource chords more - Jul 02 2023

web popular worship songs in september we praise you chords by brandon lake brian johnson matt redman and phil wickham
gratitude chords by benjamin hastings

gospel hymns guitar chord songbook - Mar 30 2023

web feb 17 2022 your choice i ve created a congregational songbook for you to slip into your hymnals or pews simply print it then make double sided folded copies this will

57 easy worship songs to play on guitar 2023 with tabs - Jun 20 2022

web even if you don t know a lot about guitar and playing you can easily learn to play them christian worship songs often require basic chords such as g d a c em and am

praise and worship songbook with chords pdf - Jun 01 2023

web these are the most popular free chord charts lead sheets and hymns available on praisecharts you will find classic and contemporary worship songs from popular

christian chords and tabs - Apr 18 2022

web 300 songs found chr jj heller missing peace chr moriah peters haven t even kissed chr hillsong worship what a beautiful name chr tenth avenue north on and

explore worship music christian rock tabs ultimate guitar com - May 20 2022

web christian songbook ultimate online songbook includes 42 000 songs in 12 languages such as tamil english hindi telugu malayalam nepali kannada arabic chinese

free christian guitar sheet music 8notes com - Nov 25 2022

web jul 3 2022 christian songs with lyrics and chords is a perfect place to start learning to play christian piano it s not hard there s nothing difficult about it and even beginner

free christian sheet music lyrics and guitar chords - Dec 27 2022

web easy guitar hymns for beginners sheet music tab and chords for praise and worship easy guitar songs for beginners book 2 of 2 easy guitar songs for beginners by

keyboard chords for worship songs pdf churchgists com - Aug 23 2022

web goodness of god chords by bethel music amazing grace chords by misc praise songs gratitude chords by brandon lake and other worship music christian rock tabs

christian songbook part of apa mission - Feb 14 2022

web title guitar worship songbook book 1 strum sing your favorite praise and worship songs format songbook number of pages 32 vendor hal leonard publishing

[christian guitar chords free worship music guitarmann](#) - Oct 05 2023

web christian guitar chords free worship music this is the ultimate collection of free worship music and christian guitar chords here you will find hundreds of chord

[free praise and worship songbook with chords pdf](#) - Aug 03 2023

web may 23 2022february 8 2023 a free praise and worship songbook with chords for your church the goal of this songbook is to help you lead worship in your church it features

free christian praise worship sheet music for church - Apr 30 2023

web e 3 y praise worship songs compiled by eugene guo youjun page 3 all songs copyrighted by respective authors filled with your glory 39 find us faithful 40

praise worship songs teach sg - Jan 28 2023

web guitar com tabs courses articles forums publish tab pro worship songs 14 tabs hymns of hope and faith 752 chris tomlin good good father 3 290 chords keith getty

worship songs tab collections ultimate guitar com - Oct 25 2022

web 8 chords 100 songs worship guitar songbook 8 simple chords 100 great songs third edition

[guitar worship songbook book 1 strum sing your favorite](#) - Nov 13 2021

praise and worship biglife global - Sep 04 2023

web c g all who are thirsty d all who are weak c come to the fountain am7 g b c dip your heart in the stream of life g let the pain and the sorrow d be washed away c in the

pre primer sight word stories teaching resources tpt - Dec 06 2022

web feb 3 2021 pre primer sight words are the very first words children can practice as early as preschool to learn their sight words a lot of practice and repetition is the key

new dolch pre primer sight word story early readers - Jun 12 2023

web sight words stories pre primer sight words blue find help is look not run three we and can for here make one said to where away come funny jump me play two yellow big

pre primer sight words checklist free printables planes - Jul 01 2022

web each sight word story is followed by a word search in which students must locate the targeted sight words and tally the amount of times they are found these 20 stories

dolch pre primer sight word stories level 1 clarkness com - Apr 10 2023

web students trace the sight word read the short stories highlight the sight word and color in a star every time they find the

word in the stories and answer questions about the

dolch pre primer sight word stories level 2 clarkness com - May 31 2022

web words in dolch pre primer level 6 a and big can for go i in is it little look red said see the to up we you story level dolch pre primer sight words level 6 more free

sight word books for pre primer dolch words with a - Feb 08 2023

web nov 12 2022 the pre k sight word books have beautiful pictures and clipart to grab their attention a simple story line and lots of sight words to practice we ve included images

pre primer sight words flash cards kindergarten resource - Oct 24 2021

dolch sight words pre primer fun with mama - Oct 04 2022

web jun 12 2022 pre primer sight word list free pdf download amanda last updated june 12 2022 in preschool children begin to memorize and recognize familiar

i see a big circle and a little circle clarkness com - Dec 26 2021

dolch sight words pre primer - Sep 22 2021

dolch pre primer sight word stories level 3 clarkness com - Aug 02 2022

web using this the lost bird pre primer sight words reading comprehension worksheet students build their reading comprehension and phonics skills while reading pre primer

printable tangled brave sight word readers 123 - Sep 03 2022

web a collection of dolch pre primer sight word stories level 4 by clark ness visit readinghawk com and clarkness com for more free stories and books apple

sight word stories pdf reading elephant - Aug 14 2023

web nov 1 2016 the dolch pre primer sight word story series introduces readers to the 40 service words on the dolch pre primer sight word list there will be a total of 14

free printable pre primer sight words books 123 homeschool - May 11 2023

web each sight word story is followed by a word search in which students must locate the targeted sight words and tally the amount of times they are found these 20 stories

pre primer sight word list education outside - Nov 24 2021

sight words reading passages and worksheets pre - Jul 13 2023

web collection of dolch pre primer sight word stories level 1 by clark ness visit readinghawk com and clarkness com for more free stories and books cat

pre primer sight words books simple living - Jan 07 2023

web a collection of dolch pre primer sight word stories level 3 by clark ness visit readinghawk com and clarkness com for more free stories and books circle

pre primer sight word list free pdf download education - Apr 29 2022

web pre primer sight word list 1 10 11 20 21 30 31 40 a funny look see and go make the away help me three big here my to blue i not two can in one up come is play we down it red

results for pre primer stories tpt - Nov 05 2022

web the cube is yellow cube is yellow new words in dolch pre primer level 2 big red the words in dolch pre primer level 2 a big is red the story level dolch pre primer

the lost bird pre primer sight words reading comprehension - Feb 25 2022

web dolch selected 40 sight words at the pre primer level if your child is an emergent reader or just beginning to obtain a sight word vocabulary these words are an ideal starting

results for primer sight word stories tpt - Jan 27 2022

sight words reading comprehension workbook have fun - Mar 09 2023

web pre primersightwordchecklist a and away big blue can come down find for funny go help here i in is it jump little look make me my

dolch pre primer sight word stories level 4 clarkness com - Mar 29 2022

web dolch word list roll and read mats pack includes activity mats for pre primer primer first second and third use as an interactive way to practice sight words students