



# Bobcat®

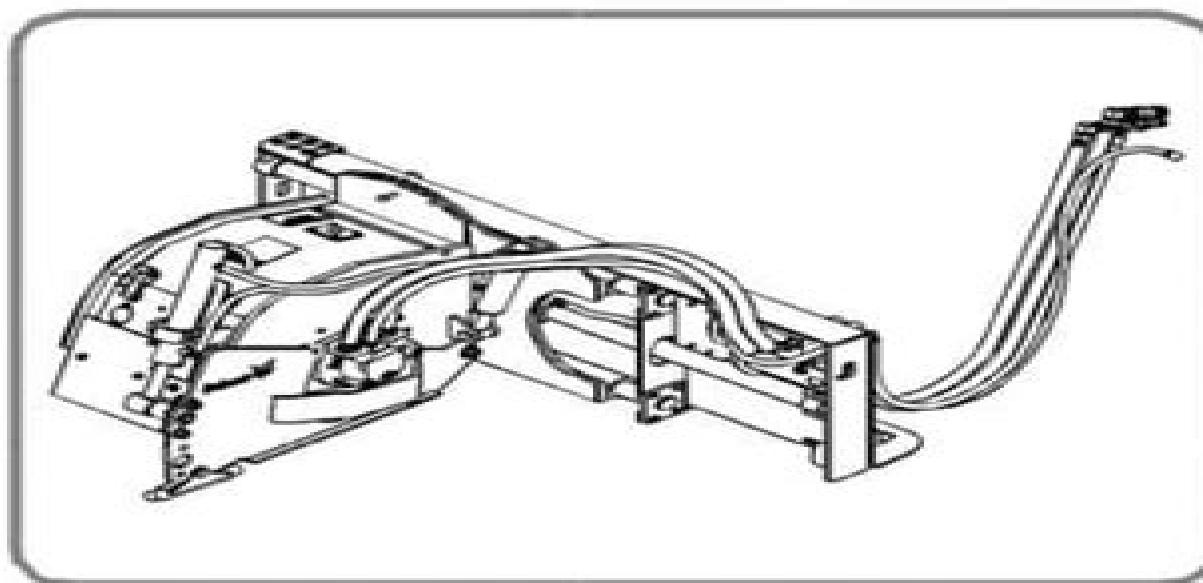
---

## Service Manual Planer

---

(14 Planer) S/N 231200101 & Above  
(18 Hyd Planer) S/N 231611101 & Above  
(24 Hyd Planer) S/N 231711101 & Above

(Surface Planer) S/N 231100101 & Above  
(40 Hyd Planer) S/N 991400101 & Above  
(Curb Planer) S/N 234000101 & Above



Dealer Copy -- Not for Resale



# Manual Bobcat 40 Hydraulic Planer

**Jessica J Manson**



**Manual Bobcat 40 Hydraulic Planer:**

*Public Works Manual* ,1989    **ENR** ,2000    *Farmers and Consumers Market Bulletin* ,2011    **Engineering News and American Contract Journal** ,2000    The Southern Lumberman ,1978    **Canadian Forest Industries** ,1984  
*Foundry Management & Technology* ,1993    *The Timber Producer* ,1978    *Wisconsin Wood Marketing Bulletin* ,1999  
**Timber Producers Association of Michigan and Wisconsin. Bulletin** ,1979    *Prairie Farmer* ,1985    **Bobcat Hydraulics Manual** ,1992

Uncover the mysteries within Explore with is enigmatic creation, Discover the Intrigue in **Manual Bobcat 40 Hydraulic Planer** . This downloadable ebook, shrouded in suspense, is available in a PDF format ( Download in PDF: \*). Dive into a world of uncertainty and anticipation. Download now to unravel the secrets hidden within the pages.

[https://auld.rmjm.com/book/Resources/fetch.php/Science\\_Review\\_Forces\\_Section\\_Answer\\_Key.pdf](https://auld.rmjm.com/book/Resources/fetch.php/Science_Review_Forces_Section_Answer_Key.pdf)

## **Table of Contents Manual Bobcat 40 Hydraulic Planer**

1. Understanding the eBook Manual Bobcat 40 Hydraulic Planer
  - The Rise of Digital Reading Manual Bobcat 40 Hydraulic Planer
  - Advantages of eBooks Over Traditional Books
2. Identifying Manual Bobcat 40 Hydraulic Planer
  - Exploring Different Genres
  - Considering Fiction vs. Non-Fiction
  - Determining Your Reading Goals
3. Choosing the Right eBook Platform
  - Popular eBook Platforms
  - Features to Look for in an Manual Bobcat 40 Hydraulic Planer
  - User-Friendly Interface
4. Exploring eBook Recommendations from Manual Bobcat 40 Hydraulic Planer
  - Personalized Recommendations
  - Manual Bobcat 40 Hydraulic Planer User Reviews and Ratings
  - Manual Bobcat 40 Hydraulic Planer and Bestseller Lists
5. Accessing Manual Bobcat 40 Hydraulic Planer Free and Paid eBooks
  - Manual Bobcat 40 Hydraulic Planer Public Domain eBooks
  - Manual Bobcat 40 Hydraulic Planer eBook Subscription Services
  - Manual Bobcat 40 Hydraulic Planer Budget-Friendly Options
6. Navigating Manual Bobcat 40 Hydraulic Planer eBook Formats

- ePub, PDF, MOBI, and More
  - Manual Bobcat 40 Hydraulic Planer Compatibility with Devices
  - Manual Bobcat 40 Hydraulic Planer Enhanced eBook Features
7. Enhancing Your Reading Experience
    - Adjustable Fonts and Text Sizes of Manual Bobcat 40 Hydraulic Planer
    - Highlighting and Note-Taking Manual Bobcat 40 Hydraulic Planer
    - Interactive Elements Manual Bobcat 40 Hydraulic Planer
  8. Staying Engaged with Manual Bobcat 40 Hydraulic Planer
    - Joining Online Reading Communities
    - Participating in Virtual Book Clubs
    - Following Authors and Publishers Manual Bobcat 40 Hydraulic Planer
  9. Balancing eBooks and Physical Books Manual Bobcat 40 Hydraulic Planer
    - Benefits of a Digital Library
    - Creating a Diverse Reading Collection Manual Bobcat 40 Hydraulic Planer
  10. Overcoming Reading Challenges
    - Dealing with Digital Eye Strain
    - Minimizing Distractions
    - Managing Screen Time
  11. Cultivating a Reading Routine Manual Bobcat 40 Hydraulic Planer
    - Setting Reading Goals Manual Bobcat 40 Hydraulic Planer
    - Carving Out Dedicated Reading Time
  12. Sourcing Reliable Information of Manual Bobcat 40 Hydraulic Planer
    - Fact-Checking eBook Content of Manual Bobcat 40 Hydraulic Planer
    - Distinguishing Credible Sources
  13. Promoting Lifelong Learning
    - Utilizing eBooks for Skill Development
    - Exploring Educational eBooks
  14. Embracing eBook Trends
    - Integration of Multimedia Elements
    - Interactive and Gamified eBooks

## **Manual Bobcat 40 Hydraulic Planer Introduction**

Manual Bobcat 40 Hydraulic Planer Offers over 60,000 free eBooks, including many classics that are in the public domain. Open Library: Provides access to over 1 million free eBooks, including classic literature and contemporary works. Manual Bobcat 40 Hydraulic Planer Offers a vast collection of books, some of which are available for free as PDF downloads, particularly older books in the public domain. Manual Bobcat 40 Hydraulic Planer : This website hosts a vast collection of scientific articles, books, and textbooks. While it operates in a legal gray area due to copyright issues, its a popular resource for finding various publications. Internet Archive for Manual Bobcat 40 Hydraulic Planer : Has an extensive collection of digital content, including books, articles, videos, and more. It has a massive library of free downloadable books. Free-eBooks Manual Bobcat 40 Hydraulic Planer Offers a diverse range of free eBooks across various genres. Manual Bobcat 40 Hydraulic Planer Focuses mainly on educational books, textbooks, and business books. It offers free PDF downloads for educational purposes. Manual Bobcat 40 Hydraulic Planer Provides a large selection of free eBooks in different genres, which are available for download in various formats, including PDF. Finding specific Manual Bobcat 40 Hydraulic Planer, especially related to Manual Bobcat 40 Hydraulic Planer, might be challenging as theyre often artistic creations rather than practical blueprints. However, you can explore the following steps to search for or create your own Online Searches: Look for websites, forums, or blogs dedicated to Manual Bobcat 40 Hydraulic Planer, Sometimes enthusiasts share their designs or concepts in PDF format. Books and Magazines Some Manual Bobcat 40 Hydraulic Planer books or magazines might include. Look for these in online stores or libraries. Remember that while Manual Bobcat 40 Hydraulic Planer, sharing copyrighted material without permission is not legal. Always ensure youre either creating your own or obtaining them from legitimate sources that allow sharing and downloading. Library Check if your local library offers eBook lending services. Many libraries have digital catalogs where you can borrow Manual Bobcat 40 Hydraulic Planer eBooks for free, including popular titles. Online Retailers: Websites like Amazon, Google Books, or Apple Books often sell eBooks. Sometimes, authors or publishers offer promotions or free periods for certain books. Authors Website Occasionally, authors provide excerpts or short stories for free on their websites. While this might not be the Manual Bobcat 40 Hydraulic Planer full book , it can give you a taste of the authors writing style. Subscription Services Platforms like Kindle Unlimited or Scribd offer subscription-based access to a wide range of Manual Bobcat 40 Hydraulic Planer eBooks, including some popular titles.

## **FAQs About Manual Bobcat 40 Hydraulic Planer Books**

How do I know which eBook platform is the best for me? Finding the best eBook platform depends on your reading preferences and device compatibility. Research different platforms, read user reviews, and explore their features before

making a choice. Are free eBooks of good quality? Yes, many reputable platforms offer high-quality free eBooks, including classics and public domain works. However, make sure to verify the source to ensure the eBook credibility. Can I read eBooks without an eReader? Absolutely! Most eBook platforms offer webbased readers or mobile apps that allow you to read eBooks on your computer, tablet, or smartphone. How do I avoid digital eye strain while reading eBooks? To prevent digital eye strain, take regular breaks, adjust the font size and background color, and ensure proper lighting while reading eBooks. What the advantage of interactive eBooks? Interactive eBooks incorporate multimedia elements, quizzes, and activities, enhancing the reader engagement and providing a more immersive learning experience. Manual Bobcat 40 Hydraulic Planer is one of the best book in our library for free trial. We provide copy of Manual Bobcat 40 Hydraulic Planer in digital format, so the resources that you find are reliable. There are also many Ebooks of related with Manual Bobcat 40 Hydraulic Planer. Where to download Manual Bobcat 40 Hydraulic Planer online for free? Are you looking for Manual Bobcat 40 Hydraulic Planer PDF? This is definitely going to save you time and cash in something you should think about. If you trying to find then search around for online. Without a doubt there are numerous these available and many of them have the freedom. However without doubt you receive whatever you purchase. An alternate way to get ideas is always to check another Manual Bobcat 40 Hydraulic Planer. This method for see exactly what may be included and adopt these ideas to your book. This site will almost certainly help you save time and effort, money and stress. If you are looking for free books then you really should consider finding to assist you try this. Several of Manual Bobcat 40 Hydraulic Planer are for sale to free while some are payable. If you arent sure if the books you would like to download works with for usage along with your computer, it is possible to download free trials. The free guides make it easy for someone to free access online library for download books to your device. You can get free download on free trial for lots of books categories. Our library is the biggest of these that have literally hundreds of thousands of different products categories represented. You will also see that there are specific sites catered to different product types or categories, brands or niches related with Manual Bobcat 40 Hydraulic Planer. So depending on what exactly you are searching, you will be able to choose e books to suit your own need. Need to access completely for Campbell Biology Seventh Edition book? Access Ebook without any digging. And by having access to our ebook online or by storing it on your computer, you have convenient answers with Manual Bobcat 40 Hydraulic Planer To get started finding Manual Bobcat 40 Hydraulic Planer, you are right to find our website which has a comprehensive collection of books online. Our library is the biggest of these that have literally hundreds of thousands of different products represented. You will also see that there are specific sites catered to different categories or niches related with Manual Bobcat 40 Hydraulic Planer So depending on what exactly you are searching, you will be able to choose ebook to suit your own need. Thank you for reading Manual Bobcat 40 Hydraulic Planer. Maybe you have knowledge that, people have search numerous times for their favorite readings like this Manual Bobcat 40 Hydraulic Planer, but end up in harmful downloads. Rather than

reading a good book with a cup of coffee in the afternoon, instead they juggled with some harmful bugs inside their laptop. Manual Bobcat 40 Hydraulic Planer is available in our book collection an online access to it is set as public so you can download it instantly. Our digital library spans in multiple locations, allowing you to get the most less latency time to download any of our books like this one. Merely said, Manual Bobcat 40 Hydraulic Planer is universally compatible with any devices to read.

**Find Manual Bobcat 40 Hydraulic Planer :**

**science review forces section answer key**

the marriage of opposites english edition

~~takeuchi tb108 compact excavator service repair factory manual~~

2007 chevrolet impala power window wiring diagram

historic samplers selected from museums and historic homes with 30 cross-stitch charts for authentic reproduction

*2013 mathematics vision project answers probability*

*1992 toyota pickup manua*

*question paper 2 june 2014 for mathematical lit*

**ingersoll boonville manual**

~~manual bmw x3si~~

*spanish listening comprehension with questions*

journey back to eternity the story of creation

voltaren cataflam manual guide

good fishing in the adirondacks from lake champlain to the streams of tug hill

90 240sx auto seat belt wiring

**Manual Bobcat 40 Hydraulic Planer :**

*the whole brain child 12 proven strategies to nurture your - Oct 13 2023*

web this item the whole brain child 12 proven strategies to nurture your child s developing mind s 22 07 s 22 07 get it nov 11

16 usually dispatched within 7 to 8 days ships from and sold by indiglobalshop no drama discipline the whole brain

*the whole brain child 12 proven strategies to nurture your - May 08 2023*

web in this pioneering practical book for parents neuroscientist daniel j siegel and parenting expert tina payne bryson



explain the new science of how a child's brain is wired and

[the whole brain child 12 proven strategies to nurture your](#) - Jul 10 2023

web abstract in this pioneering practical book daniel j siegel neuropsychiatrist and author of the bestselling *mindsight* and parenting expert tina payne bryson offer a revolutionary

*the whole brain child 12 revolutionary strategies to nurture your* - Nov 02 2022

web jan 1 2011 name it to tame it corral raging right brain behavior through left brain storytelling appealing to the left brain's affinity for words and reasoning to calm

[the whole brain child 12 revolutionary strategies to nurture your](#) - Jun 09 2023

web isbn 978 1 84905 125 5 ten professionals including occupational therapists researchers social workers and educators contribute to this book with each of the eight

**the whole brain child 12 revolutionary strategies to nurture** - May 28 2022

web oct 2 2023 the whole brain child by daniel j siegel and tina payne bryson offers a groundbreaking approach to parenting by presenting twelve essential strategies for

**the whole brain child dr dan siegel** - Aug 11 2023

web aug 16 2012 the whole brain child 12 proven strategies to nurture your child's tina payne bryson daniel siegel google books the whole brain child 12 proven

**the whole brain child 12 proven strategies to nurture** - Feb 05 2023

web jan 11 2014 the whole brain child 12 proven strategies to nurture your child's developing mind d j siegel t p bryson london constable and robinson 2012 pp

[the whole brain child 12 proven strategies to nurture your](#) - Oct 01 2022

web aug 16 2012 advance praise for the whole brain child siegel and bryson reveal that an integrated brain with parts that cooperate in a coordinated and balanced manner

[loading interface goodreads](#) - Nov 21 2021

**the whole brain child 12 proven strategies to nurture your** - Dec 23 2021

[the whole brain child 12 proven strategies to nurture your](#) - Dec 03 2022

web the whole brain child 12 proven strategies to nurture your child's developing mind paperback 16 august 2012 by dr daniel siegel author dr tina payne bryson

*the whole brain child 12 proven strategies to nurt pdf* - Feb 22 2022

web buy the whole brain child 12 proven strategies to nurture your child s developing mind by payne bryson dr tina siegel dr daniel online on amazon ae at best prices

*the whole brain child 12 proven strategies to nurture your* - Apr 26 2022

web the whole brain child 12 proven strategies to nurture your child s developing mind d j siegel t p bryson london constable and robinson 2012 pp 192 12 99 pb

**the whole brain child 12 proven strategies to nurture your** - Jan 24 2022

web discover and share books you love on goodreads

*summary the whole brain child 12 revolutionary strategies to* - Mar 26 2022

web listen to the whole brain child 12 proven strategies to nurture your child s developing mind on spotify

pdf the whole brain child 12 proven strategies to - Sep 12 2023

web raise calmer happier children using twelve key strategies including name it to tame it corral raging right brain behavior through left brain storytelling appealing to the left

the whole brain child 12 proven strategies to nurture your - Jul 30 2022

web family relationships buy new 500 00 m r p 799 00 save 299 00 37 inclusive of all taxes free delivery monday 9 october order within 14 hrs 49 mins details

the whole brain child 12 proven strategies to nurture your - Mar 06 2023

web 1 bene katabua more vert july 27 2019 easy to digest strategies to help parents when supporting they children and their big feelings useful for both professionals and

*the whole brain child 12 revolutionary strategies to* - Apr 07 2023

web buy the whole brain child 12 proven strategies to nurture your child s developing mind by payne bryson dr tina siegel dr daniel isbn 9781780338378 from

*the whole brain child 12 proven strategies to nurture your* - Jan 04 2023

web mar 21 2012 booktopia has the whole brain child 12 revolutionary strategies to nurture your child s developing mind

booktopia has the whole brain child 12

the whole brain child 12 revolutionary strategies to nurture your - Jun 28 2022

web advance praise for the whole brain child siegel and bryson reveal that an integrated brain with parts that cooperate in a coordinated and balanced manner creates a better

*the whole brain child revolutionary strategies to nurt* - Aug 31 2022

web mar 21 2012 by applying these discoveries to everyday parenting you can turn any outburst argument or fear into a chance to integrate your child s brain and foster vital

**lg front load washer install register smart thing app** - Oct 11 2022

lg front load washer wmfl demo settings wmfl demo errorcodes wmfl troubleshooting guide wmfl self maintenance guiderefer our below playlist to know

**lg thing app front load washer registration youtube** - Jan 14 2023

jan 25 2021 follow lg usa facebook facebook com lgusa twitter twitter com lgus instagram instagram com lgusapinterest pi

**register your product usa lg** - May 18 2023

if you already have a mylg account you can simply sign in and register your new device best price on lg premium care service plan verify product ownership in order to make any claims maximize your lg product experience with helpful information request repairs

**lg 5 year warranty parts labour with confidence lg uk** - Feb 15 2023

register your products manage your account and explore your registered products get helpful information and support and much more sign in and register we know that reliability and peace of mind matters to our customers that s why we ve introduced a new exclusive 5 year warranty on selected laundry products

**lg registration activate your guarantee** - Nov 12 2022

register your lg appliance and activate your guarantee with domestic and general the uk s leading specialist warranty provider whether you have a lg washing machine oven fridge freezer or any other lg product you can enjoy peace of mind and hassle free service

**lg tvs lg product registration lg usa support** - Dec 13 2022

nov 2 2022 you can view and manage your entire inventory of registered lg products you can leave a product review ask answer product questions find helpful information about your lg products and take advantage of great services exclusive offers

**welcome lowes com** - May 06 2022

lg washer quick start guide need help call an lg support representative at 800 243 0000 or visit lg com for online support network and completely register your washer once finished your product will be listed on the main dashboard connect your product 05 ios

**lg washing machine limited warranty usa** - Aug 09 2022

call 1 800 243 0000 or visit our website at lg com product registration information mail to lg customer information center attn cic model 201 james record road huntsville al 35824 serial number date of purchase warranty lg electronics u s a inc lg warrants your lg washing machine product against defect in

**lg register a product lg canada** - Feb 03 2022

we have moved please go to lg com ca en my lg product registration to register your product

*lg electronics* - Jul 08 2022

lg life s good lg com content admin tool login password reset

[lg product registration register your product lg usa](#) - Sep 22 2023

register your product for exclusive benefits registering your account with a mylg account will give you access to a wealth of services as well as a convenient hub for managing all of your lg devices if you already have a mylg account you can simply sign in

**product registration support help lg uk** - Aug 21 2023

1 sign in you need to sign in for product registration 2 enter your model if you have a thing product you can select the product automatically 3 fill in your info expedited support and service on questions and issues 4 enjoy your benefits you can find registered product at mylg page p register your lg product here

*warranty information lg usa support* - Jul 20 2023

warranty information get the latest information about your lg warranty here find warranty information extended service plan request a repair for consumer or business products

**lg mylg account login lg u s a** - Apr 17 2023

maximize your lg product experience with helpful information about all your registered products let lg know how to reach you manage your customer profile so lg knows how and when to communicate with you everything in one location a single account allows for various interactions with lg

[lg product registration gate lg india support](#) - Jun 19 2023

if you would like to register your lg product please follow the following steps registering your product will help you get faster product support

*washing machine warranty registration how to and more* - Jun 07 2022

sep 12 2023 you will have to register the washer with the model and or serial number for offline registration the dealer will offer you a warranty card in the form of a tiny booklet in the booklet the washer s details will be available such as the serial number and the model number

[13 kg washer with 7 kg dryer front load washing machine with lg](#) - Mar 04 2022

get more information on the lg ws1308xmt click for pictures reviews and tech specs for the lg 13 kg washer with 7 kg dryer front load washing machine with ai dd intelligent care with 18 more fabric protection stone silver color steam thing wi fi

*lg top load washer how to install register product using youtube* - Sep 10 2022

about press copyright contact us creators advertise developers terms privacy policy safety how youtube works test new

features nfl sunday ticket press copyright

[lg washer install and connect your new lg washing machine](#) - Apr 05 2022

aug 14 2020 how to unpack prepare install and connect your new lg front loader washing machine properly

[lg product registration](#) - Mar 16 2023

by registering you verify ownership of your lg equipment this product registration page is only for lg air conditioning residential and light commercial products if you already have a contractor account on lg dfs warranty com please login

[it essentials 5th edition cisco press](#) - Mar 09 2023

web 1 3 introducing the it essentials 5 0 pod the ndg ite pod is a 100 virtual machine pod consisting of seven virtual machines linked together through virtual networking these

**it essentials ite version 6 0 v7 02 exam answers full labs** - Nov 05 2022

web [cisco it essentials it 1](#) [youtube com](#)

**it essentials version 8 0 chapter 5 exam answers ite v8 0** - Nov 24 2021

**it essentials 5 ice malta** - Feb 08 2023

web it essentials v7 0 labs packet tracer answers version packet tracer it essentials v7 6 1 2 1 packet tracer add computers to an existing network 6 1 3 9 packet tracer

**it essentials ite v6 0 v7 0 chapter 5 exam answers** - Jul 13 2023

web may 3 2016 it essentials ite v5 0 v5 02 chapter 5 exam answers 100 2019 may 3 2016 last updated sep 7 2019 it essentials it essentials v5 0 no comments

[cisco networking academy it essentials 5](#) - Dec 06 2022

web students who are new and have never done a computer essentials course can do the entire it essentials curriculum from start to finish the cisco it essentials curriculum is

[cisco it essential chapter 5 answer youtube](#) - Oct 24 2021

**it essentials companion guide v8 cisco press** - Apr 29 2022

web she has certifications from cisco and comptia kathleen has been an author and a technical editor for various courses with cisco press including it essentials and

[it essentials companion guide v7 cisco press](#) - May 31 2022

web it essentials v 5 0 chapter 1 youtube [cisco it 1](#) [mediafire com](#) download g3pi2hgdui4jbf chapter 1 zip

[it essentials ite v5 0 v5 02 exam answers 100 test](#) - Jan 07 2023

web the only cisco authorized textbook and labs study guide for the revised it essentials course v7 from the cisco networking academy portable desk references for take

**begin an it career with the it essentials course** - May 11 2023

web the cisco it essentials curriculum helps students prepare for entry level ict career opportunities and the comptia a certification which helps students differentiate

[it essentials v 5 0 chapter 1 youtube](#) - Feb 25 2022

web dec 22 2022 it essentials version 8 0 it essentials 8 0 chapter 5 exam answers 1 a technician is searching through a storage locker and finds a firewall what is the

**cisco it essentials v7 chapter 5 windows installation** - Sep 22 2021

**netacad it essentials 7 chapter 5 networking concepts** - Dec 26 2021

web cisco it essentials v7 chapter 5 windows installation youtube cisco it essentials v7 chapter 5 windows installation

□□□□□□ □□ □□ □□□□□□ □□ □□□□□ □□□□ □□□□ □□□□

[it essentials course booklet version 5 cisco press](#) - Apr 10 2023

web it essentials pc hardware and software v5 02 answers it essentials v5 0 v5 02 online assessment pdf file ite v5 0 v5 02 chapter 1 exam answer test online

**cisco it essentials the pathway to cisco ccna curriculum** - Sep 03 2022

web mar 27 2020 edition 1st epub watermarked isbn 10 0 13 562278 6 isbn 13 978 0 13 562278 0 it essentials v7

companion guide supports the cisco networking

*ite v5 0 chapter 5 slideshare* - Mar 29 2022

web jan 8 2022 the it essentials ite course introduces students to the fundamentals of computer hardware and software mobile devices security and networking concepts and

**ite v8 0 it essentials 8 exam answers full quizzes labs** - Jul 01 2022

web sep 24 2014 presentation id cisco confidential 1 chapter 5 objectives 5 1 explain the characteristics and basic functions of modern operating systems 5 1 describe and

[it essentials v 5 0 chapter 4 youtube](#) - Aug 02 2022

web jul 9 2023 it essentials v8 companion guide supports the cisco networking academy it essentials version 8 course the course is designed for cisco networking academy

**it essentials v7 companion guide pearsoncmg com** - Jan 27 2022

web subscribe 1 6k views 1 year ago cisco it essential cisco it essential chapter 5 answer cisco it essential chapter 5 exam answer cisco it essential

[it essentials cisco networking academy google books](#) - Aug 14 2023

web jul 16 2013 it essentials pc hardware and software companion guide fifth edition supports the cisco networking academy it essentials pc hardware and software

*it essentials companion guide v7 cisco it certification* - Oct 04 2022

web jan 6 2023 it essentials module 5 quiz answers networking concepts it essentials module 6 quiz answers applied networking it essentials module 7 quiz answers

[it essentials ite v5 0 v5 02 chapter 5 exam answers 100](#) - Jun 12 2023

web mar 25 2013 isbn 13 978 1 58713 309 1 cisco s it essentials pc hardware and software curriculum introduces the skills needed to help meet growing demand for entry