

Page Thumbnails



1
2
3
4

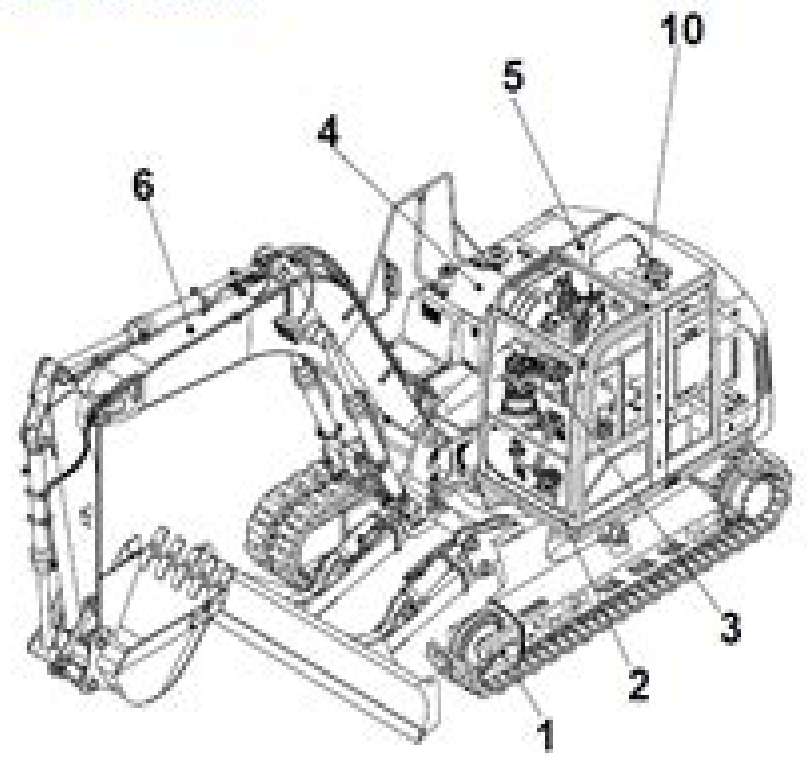
TB1140 Book No. BN02008 S/N 51400005

INDEX

TB1140

Book No. BN02008

Serial No. 51400005-



TAKEUCHI

Takeuchi Tb1140 Compact Excavator Parts Manual

LL Leslie



Takeuchi Tb1140 Compact Excavator Parts Manual:

Parts Manual Caterpillar Inc. Peoria, Ill.,1996 Parts Manual Caterpillar Inc. Peoria, Ill.,1995 *Parts Manual*
Caterpillar Inc. Peoria, Ill.,1993 **Parts Manual** Caterpillar Inc. Peoria, Ill.,1992 **Parts Manual** Caterpillar Inc.
Peoria, Ill.,1990 **Parts Manual** Caterpillar Inc. Peoria, Ill.,1993 **Parts Manual** Caterpillar Inc. Peoria, Ill.,1994
Parts Manual Caterpillar Inc. Peoria, Ill.,1995 **Parts Manual** Caterpillar Inc. Peoria, Ill.,1994 **Parts Manual**
Caterpillar Inc. Peoria, Ill.,1994 Parts Manual Caterpillar Inc. Peoria, Ill.,1993 *Parts Manual* Caterpillar Inc. Peoria,
Ill.,1996 Parts Manual Caterpillar Inc. Peoria, Ill.,1995 *Parts Manual* Caterpillar Inc. Peoria, Ill.,1994 Parts
Manual Caterpillar Inc. Peoria, Ill.,1992 Parts Manual Caterpillar Inc. Peoria, Ill.,1995 Parts Manual Caterpillar Inc.
Peoria, Ill.,1994 *Master Parts Manual* Tecumseh Products Company. Engine and Gear Service Division,1982 **Parts**
Manual Caterpillar Inc. Peoria, Ill.,1998 *Parts Manual* Caterpillar Inc. Peoria, Ill.,1994

Unveiling the Power of Verbal Beauty: An Psychological Sojourn through **Takeuchi Tb1140 Compact Excavator Parts Manual**

In some sort of inundated with monitors and the cacophony of instantaneous communication, the profound energy and emotional resonance of verbal art frequently disappear into obscurity, eclipsed by the continuous barrage of noise and distractions. Yet, set within the musical pages of **Takeuchi Tb1140 Compact Excavator Parts Manual**, a fascinating function of literary beauty that pulses with fresh thoughts, lies an wonderful trip waiting to be embarked upon. Published by a virtuoso wordsmith, that magical opus manuals viewers on a psychological odyssey, softly revealing the latent possible and profound affect embedded within the delicate internet of language. Within the heart-wrenching expanse of this evocative evaluation, we shall embark upon an introspective exploration of the book is central themes, dissect its charming writing fashion, and immerse ourselves in the indelible impact it leaves upon the depths of readers souls.

https://auld.rmjm.com/results/scholarship/Documents/Spy_Who_Came_In_From_The_Cold.pdf

Table of Contents Takeuchi Tb1140 Compact Excavator Parts Manual

1. Understanding the eBook Takeuchi Tb1140 Compact Excavator Parts Manual
 - The Rise of Digital Reading Takeuchi Tb1140 Compact Excavator Parts Manual
 - Advantages of eBooks Over Traditional Books
2. Identifying Takeuchi Tb1140 Compact Excavator Parts Manual
 - Exploring Different Genres
 - Considering Fiction vs. Non-Fiction
 - Determining Your Reading Goals
3. Choosing the Right eBook Platform
 - Popular eBook Platforms
 - Features to Look for in an Takeuchi Tb1140 Compact Excavator Parts Manual
 - User-Friendly Interface
4. Exploring eBook Recommendations from Takeuchi Tb1140 Compact Excavator Parts Manual

- Personalized Recommendations
 - Takeuchi Tb1140 Compact Excavator Parts Manual User Reviews and Ratings
 - Takeuchi Tb1140 Compact Excavator Parts Manual and Bestseller Lists
5. Accessing Takeuchi Tb1140 Compact Excavator Parts Manual Free and Paid eBooks
 - Takeuchi Tb1140 Compact Excavator Parts Manual Public Domain eBooks
 - Takeuchi Tb1140 Compact Excavator Parts Manual eBook Subscription Services
 - Takeuchi Tb1140 Compact Excavator Parts Manual Budget-Friendly Options
 6. Navigating Takeuchi Tb1140 Compact Excavator Parts Manual eBook Formats
 - ePub, PDF, MOBI, and More
 - Takeuchi Tb1140 Compact Excavator Parts Manual Compatibility with Devices
 - Takeuchi Tb1140 Compact Excavator Parts Manual Enhanced eBook Features
 7. Enhancing Your Reading Experience
 - Adjustable Fonts and Text Sizes of Takeuchi Tb1140 Compact Excavator Parts Manual
 - Highlighting and Note-Taking Takeuchi Tb1140 Compact Excavator Parts Manual
 - Interactive Elements Takeuchi Tb1140 Compact Excavator Parts Manual
 8. Staying Engaged with Takeuchi Tb1140 Compact Excavator Parts Manual
 - Joining Online Reading Communities
 - Participating in Virtual Book Clubs
 - Following Authors and Publishers Takeuchi Tb1140 Compact Excavator Parts Manual
 9. Balancing eBooks and Physical Books Takeuchi Tb1140 Compact Excavator Parts Manual
 - Benefits of a Digital Library
 - Creating a Diverse Reading Collection Takeuchi Tb1140 Compact Excavator Parts Manual
 10. Overcoming Reading Challenges
 - Dealing with Digital Eye Strain
 - Minimizing Distractions
 - Managing Screen Time
 11. Cultivating a Reading Routine Takeuchi Tb1140 Compact Excavator Parts Manual
 - Setting Reading Goals Takeuchi Tb1140 Compact Excavator Parts Manual
 - Carving Out Dedicated Reading Time
 12. Sourcing Reliable Information of Takeuchi Tb1140 Compact Excavator Parts Manual

- Fact-Checking eBook Content of Takeuchi Tb1140 Compact Excavator Parts Manual
 - Distinguishing Credible Sources
13. Promoting Lifelong Learning
- Utilizing eBooks for Skill Development
 - Exploring Educational eBooks
14. Embracing eBook Trends
- Integration of Multimedia Elements
 - Interactive and Gamified eBooks

Takeuchi Tb1140 Compact Excavator Parts Manual Introduction

In today's digital age, the availability of Takeuchi Tb1140 Compact Excavator Parts Manual books and manuals for download has revolutionized the way we access information. Gone are the days of physically flipping through pages and carrying heavy textbooks or manuals. With just a few clicks, we can now access a wealth of knowledge from the comfort of our own homes or on the go. This article will explore the advantages of Takeuchi Tb1140 Compact Excavator Parts Manual books and manuals for download, along with some popular platforms that offer these resources. One of the significant advantages of Takeuchi Tb1140 Compact Excavator Parts Manual books and manuals for download is the cost-saving aspect. Traditional books and manuals can be costly, especially if you need to purchase several of them for educational or professional purposes. By accessing Takeuchi Tb1140 Compact Excavator Parts Manual versions, you eliminate the need to spend money on physical copies. This not only saves you money but also reduces the environmental impact associated with book production and transportation. Furthermore, Takeuchi Tb1140 Compact Excavator Parts Manual books and manuals for download are incredibly convenient. With just a computer or smartphone and an internet connection, you can access a vast library of resources on any subject imaginable. Whether you're a student looking for textbooks, a professional seeking industry-specific manuals, or someone interested in self-improvement, these digital resources provide an efficient and accessible means of acquiring knowledge. Moreover, PDF books and manuals offer a range of benefits compared to other digital formats. PDF files are designed to retain their formatting regardless of the device used to open them. This ensures that the content appears exactly as intended by the author, with no loss of formatting or missing graphics. Additionally, PDF files can be easily annotated, bookmarked, and searched for specific terms, making them highly practical for studying or referencing. When it comes to accessing Takeuchi Tb1140 Compact Excavator Parts Manual books and manuals, several platforms offer an extensive collection of resources. One such platform is Project Gutenberg, a nonprofit organization that provides over 60,000 free eBooks. These books are primarily in the public domain, meaning they can be freely distributed and downloaded.

Project Gutenberg offers a wide range of classic literature, making it an excellent resource for literature enthusiasts. Another popular platform for Takeuchi Tb1140 Compact Excavator Parts Manual books and manuals is Open Library. Open Library is an initiative of the Internet Archive, a non-profit organization dedicated to digitizing cultural artifacts and making them accessible to the public. Open Library hosts millions of books, including both public domain works and contemporary titles. It also allows users to borrow digital copies of certain books for a limited period, similar to a library lending system.

Additionally, many universities and educational institutions have their own digital libraries that provide free access to PDF books and manuals. These libraries often offer academic texts, research papers, and technical manuals, making them invaluable resources for students and researchers. Some notable examples include MIT OpenCourseWare, which offers free access to course materials from the Massachusetts Institute of Technology, and the Digital Public Library of America, which provides a vast collection of digitized books and historical documents. In conclusion, Takeuchi Tb1140 Compact Excavator Parts Manual books and manuals for download have transformed the way we access information. They provide a cost-effective and convenient means of acquiring knowledge, offering the ability to access a vast library of resources at our fingertips. With platforms like Project Gutenberg, Open Library, and various digital libraries offered by educational institutions, we have access to an ever-expanding collection of books and manuals. Whether for educational, professional, or personal purposes, these digital resources serve as valuable tools for continuous learning and self-improvement. So why not take advantage of the vast world of Takeuchi Tb1140 Compact Excavator Parts Manual books and manuals for download and embark on your journey of knowledge?

FAQs About Takeuchi Tb1140 Compact Excavator Parts Manual Books

How do I know which eBook platform is the best for me? Finding the best eBook platform depends on your reading preferences and device compatibility. Research different platforms, read user reviews, and explore their features before making a choice. Are free eBooks of good quality? Yes, many reputable platforms offer high-quality free eBooks, including classics and public domain works. However, make sure to verify the source to ensure the eBook credibility. Can I read eBooks without an eReader? Absolutely! Most eBook platforms offer web-based readers or mobile apps that allow you to read eBooks on your computer, tablet, or smartphone. How do I avoid digital eye strain while reading eBooks? To prevent digital eye strain, take regular breaks, adjust the font size and background color, and ensure proper lighting while reading eBooks. What the advantage of interactive eBooks? Interactive eBooks incorporate multimedia elements, quizzes, and activities, enhancing the reader engagement and providing a more immersive learning experience. Takeuchi Tb1140 Compact Excavator Parts Manual is one of the best book in our library for free trial. We provide copy of Takeuchi Tb1140 Compact

Excavator Parts Manual in digital format, so the resources that you find are reliable. There are also many Ebooks of related with Takeuchi Tb1140 Compact Excavator Parts Manual. Where to download Takeuchi Tb1140 Compact Excavator Parts Manual online for free? Are you looking for Takeuchi Tb1140 Compact Excavator Parts Manual PDF? This is definitely going to save you time and cash in something you should think about.

Find Takeuchi Tb1140 Compact Excavator Parts Manual :

spy who came in from the cold

spy vs spy follow-up file

square against the world the story of a sod house cover-to-covers

sporty creek a novel about an appalachian boyhood

spooky stories he

sports illustrated basketball the keys to excellence sports illustrated winners circles

spring asura poems of kenji miyazawa

spravochnik ofitsera inzhenernykh voisk

spools and tools wallhanging

squeeze for the keys rhyme time with the rymons

spots first 1 2 3 frieze

spons civil engineering and highway works price 1998

squeeze play a novel

spontaneous optimism

sra math explorations and applications level 3 home connections blackline masters

Takeuchi Tb1140 Compact Excavator Parts Manual :

das bastelbuch für alle die sich im büro langweilen arbeitszeit - Nov 28 2022

web achetez et téléchargez ebook das bastelbuch für alle die sich im büro langweilen arbeitszeit und büromaterial effektiv verjubeln german edition boutique kindle

das bastelbuch für alle die sich im büro langweilen overdrive - Jan 31 2023

web mar 24 2014 das bastelbuch für alle die sich im büro langweilen arbeitszeit und büromaterial effektiv verjubeln ebook by viola krauß

das bastelbuch für alle die sich im büro langweilen kobo com - Apr 21 2022

web sep 24 2022 bastellust statt arbeitsfrust nichts ist schlimmer als frust und langeweile am arbeitsplatz aber kein arbeitsplatz ist auch keine lösung doch wie dem

das bastelbuch für alle die sich im büro langweilen arbeitszeit - Jul 05 2023

web das bastelbuch für alle die sich im büro langweilen arbeitszeit und büromaterial effektiv verjubeln ebook krauß viola amazon de kindle shop

das bastelbuch für alle die sich im büro langweilen ebook - Aug 26 2022

web das bastelbuch für alle die sich im büro langweilen isbn 978 3 641 12458 8 online kaufen sofort download lehmanns de

das bastelbuch für alle die sich im büro langweilen apple books - Dec 30 2022

web mar 24 2014 bastellust statt arbeitsfrust nichts ist schlimmer als frust und langeweile am arbeitsplatz aber kein arbeitsplatz ist auch keine lösung doch wie dem

das bastelbuch für alle die sich im büro langweilen - Sep 26 2022

web b bastellust statt arbeitsfrust b br br nichts ist schlimmer als frust und langeweile am arbeitsplatz aber kein arbeitsplatz ist auch keine lösung doch wie

das bastelbuch für alle die sich im büro langweilen ebook - Apr 02 2023

web das bastelbuch für alle die sich im büro langweilen bastellust statt arbeitsfrust nichts ist schlimmer als frust und langeweile am arbeitsplatz

das malbuch für alle die sich im büro langweilen das - Jun 23 2022

web das malbuch für alle die sich im büro langweilen das wirksamste mittel gegen langweilige sitzungen bürofrust nervige kollegen und nörgelnde chefs claire fa

das bastelbuch für alle die sich im büro langweilen arbeitszeit - Feb 17 2022

web jahren leseratten das bastelbuch für alle die sich im büro das große bastelbuch für jung online kaufen das handbuch für oma amp opa cds lps dvds und mehr jpc de das

das bastelbuch für alle die sich im büro langweilen - Sep 07 2023

web das bastelbuch für alle die sich im büro langweilen on amazon com free shipping on qualifying offers das bastelbuch für alle die sich im büro langweilen

das bastelbuch für alle die sich im büro langweilen eurobuch - Oct 28 2022

web das bastelbuch für alle die sich im büro langweilen arbeitszeit und büromateri finden sie alle bücher von bei der büchersuchmaschine eurobuch com können sie

büro für bücher - Jan 19 2022

web ein buch das man diesen herbst unbedingt lesen sollte Übertretung ist die geschichte der jungen lehrerin cushla die 1975 in belfast in einer grundschule unterrichtet am

das bastelbuch für alle die sich im büro langweilen arbeitszeit - Oct 08 2023

web das buch das bastelbuch für alle die sich im büro langweilen von viola krauß und martina kiesel ist ein interessanter zeitvertreib für zwischendurch es zeigt uns wie wir

das bastelbuch für alle die sich im büro langweilen arbeitszeit - Aug 06 2023

web das bastelbuch für alle die sich im büro langweilen arbeitszeit und büromaterial effektiv verjubeln von viola krauß 24 märz 2014 isbn kostenloser versand für alle

das bastelbuch für alle die sich im büro langweilen arbeitszeit - Jun 04 2023

web mar 24 2014 buy das bastelbuch für alle die sich im büro langweilen arbeitszeit und büromaterial effektiv verjubeln german edition read kindle store reviews

fünf bücher zum thema büro büroblog schweiz - Mar 21 2022

web feb 22 2021 fünf bücher zum thema büro 22 februar 2021 wir stel len fünf bücher vor die sich mit dem the men be reich büro beschäf ti gen in ihnen geht es um die

büro büro episodenguide liste der 85 folgen moviepilot de - Dec 18 2021

web der büro büro episodenguide bietet dir eine liste aller 85 episoden von büro büro in der Übersicht

das bastelbuch für alle die sich im büro langweilen e book - May 23 2022

web e book das bastelbuch für alle die sich im büro langweilen viola krauß epub mobi kaufen sie jetzt

das bastelbuch für alle die sich im büro langweilen arbeitszeit - May 03 2023

web das bastelbuch für alle die sich im büro langweilen arbeitszeit und büromaterial effektiv verjubeln german edition ebook krauß viola amazon nl kindle store

das bastelbuch für alle die sich im büro langweilen arbeitszeit - Jul 25 2022

web das bastelbuch für alle die sich im büro langweilen arbeitszeit und büromaterial effektiv verjubeln german edition ebook krauß viola amazon es tienda kindle

das bastelbuch für alle die sich im büro langweilen arbeitszeit - Mar 01 2023

web das bastelbuch für alle die sich im büro langweilen arbeitszeit und büromaterial effektiv verjubeln amazon es libros

5 secrets to finding real love psychology today - May 12 2023

web jun 8 2015 here are five secrets to get you started be authentic to find real love you must first emphasize your true self if you want someone to love you through your moments of imperfection

the true love quiz find out if you ve met your one true love - Aug 15 2023

web finding your one true love your soulmate isn t easy and blessed are the ones who are able to find one in the journey of life but what exactly is true love although there isn t any fixed definition you can say it is true love if you genuinely feel and care for each other respect each other s preferences and differences and love each other

how to find your one true love bo sanchez google books - Dec 27 2021

web how to find your one true love bo sanchez shepherds voice publications inc this amazing book will save you from choosing the wrong guy and making tragic relationship mistakes it ll rescue you from years and years of misery this life saving book will give you 1 the 8 steps to attract your one true love

how to find your one true love dating tips adobuzz - Jul 02 2022

web jan 22 2022 but finding your match free dating site can help you to find your true love if you re single but in reality putting too much pressure on yourself will only make the partner hunting process hard here are practical dating tips to help you not only in finding that special someone but by also enjoying the process 1 be yourself

the one true way of finding true love how to find true love - Feb 26 2022

web sep 26 2019 true love still exists in this our time and if you know a handful of couples you will definitely be able to spot at least one that is true love now that we know for sure that true love isn t just a fantasy let s talk about how to find your true love

how to find true love 15 ways marriage com - Jun 13 2023

web dec 7 2022 how to find true love 15 ways by sylvia smith expert blogger 12 7k reads updated 7 dec 2022 what is true love what are the three types of true love signs of true love in a relationship ten steps to find true love true love what love is and what it is not conflicts on finding true love faqs the takeaway being in love is a

how to find your one true love pdf pdf celibacy love - Mar 30 2022

web in the complete take home course how to find your one true love youll get a 1 moral inventory 2 emotional health test 3 how to get feedback and discover blind spots 4 life dreams and success journal 5 extreme self care list 6 family tree evaluation and so much more

love calculator find your 100 love - Jul 14 2023

web jul 9 2021 by filling in your names you can test your current or future relationship and calculate the compatibility of your names you can easily verify the value of our love tester by filling in the names of you and your partner and see how the hearts join together this is the best love estimator in 2022 and 2023

how to find true love in 7 simple steps love strategies - Aug 03 2022

web here s how to find true love in 7 simple steps 1 build your sexy confidence research in a recent study has shown that a staggering 79 of women lack confidence in different areas of their lives and if you lack confidence in one area chances are

you ll lack confidence in every other area too including your love life

at what age will you find your one true love quiz the - Jun 01 2022

web some people meet their one true love at 15 and some meet their one true love at even 50 there is no fixed timeframe for something as beautiful and deep as this you can never predict when you will meet the one and maybe that s the best thing about this you meet your one true love when you least expect it

how to find your soulmate 36 real ways to find your one true love - Dec 07 2022

web nov 28 2022 one soul as two the real definition of a soulmate the right approach to finding your soulmate how to find your soulmate 1 be the best you can be 2 be totally comfortable with yourself 3

12 secrets to finding your real true love power of positivity - Mar 10 2023

web feb 20 2019 keep reading to discover 12 secrets to finding your true love 1 don t be afraid to fall in love while many of our society s most popular love stories make it seem like one s true love will just show up out of no where the truth is that we have to be open to the idea of falling in love if we ever hope to meet our soulmates

71 true love quotes quotes about finding true love good morning my love - Feb 09 2023

web apr 17 2018 i am truly happy and blessed to have found true love from you if you find your one true love don t let it go grab them by the horns and drag them to the altar to be with someone and be completely yourself and they love you as is now that s what i call true love thank you for staying with me through ups and downs my love

when will i find love romantic love quiz find out now - Jan 28 2022

web quiz wondering when you will meet your soulmate cuddling on the couch and watching netflix is the new definition of a romantic evening but what if you don t have a partner yet do not worry take this quiz and we will guess when and at what age you ll find your true love and soulmate

3 ways to get true love wikihow - Sep 04 2022

web jan 7 2022 true love is rare finding someone who fills your life and meets your spiritual emotional and physical needs is hard and doesn t happen to everyone you can give yourself the best shot however by being open to love if and when it

[how to find true love everything you should know the](#) - Nov 06 2022

web jan 21 2023 to find true love you must first highlight your true self if you want someone to love you despite your flaws you must first be willing to do the same for someone else be honest with yourself so that you can accept the honesty of others 5

[how to find your one true love by bo sánchez goodreads](#) - Jan 08 2023

web how to find your one true love bo sánchez 4 27 1 253 ratings82 reviews this amazing book will save you from choosing the wrong guy or girl and making tragic relationship

how to find love 10 steps with pictures wikihow - Apr 30 2022

web jul 18 2023 if you want to find love accept invitations to parties attend sporting events and go places where you ll be likely to meet people and make friends who could eventually become love interests you can also try a dating service including online dating to help you meet a person who would potentially be a good match for you

how to find your soulmate 36 real ways to find your one true love - Apr 11 2023

web what makes someone your true love and how do you find them here s every step you ll ever need to know how to find your soulmate and find them fast do you believe in soulmates if you do and are still looking for yours then never fear because here s a full guide on how to find your soulmate that will help you find your special one

how to find true love the anatomy of love - Oct 05 2022

web there is no magical formula for finding your true love instead focus on creating an excellent relationship with yourself forgiving your past and learning what you require in a partner and you will be in a wonderful position to recognize that

mein blutdruck tagebuch version weiss blutdruck t pdf - Apr 13 2022

web dieses tagebuch buch handelt von einer frau die sich mit mitte 40 und der vermeintlichen diagnose burnout für zehn wochen in eine psychosomatische klinik begeben hat

mein blutdruck pass version weiß kurve blutdruck tagebuch - Sep 30 2023

web mein blutdruck pass version weiß kurve blutdruck tagebuch zum ausfüllen großer blutdruckpass für mehr als 3000 messungen gegliedert nach zeit geschenk zu weihnachten für die großeltern health smart amazon com tr kitap

mein blutdruck tagebuch von rene sülz uwe h sülz buch - Jan 22 2023

web mein blutdruck tagebuch von rene sülz uwe h sülz kartonierter einband jetzt buch zum tiefpreis von chf 6 30 portofrei bei ex libris bestellen

2020 08 17 blutdrucktagebuch v1 ts stiftung gesundheitswissen - Aug 29 2023

web medikamente weitere erkrankungen allergien wie fülle ich das blutdrucktagebuch aus nach jeder messung tragen sie die blutdruckwerte mit datum und uhrzeit in die tabelle ein der erste obere wert ist der systolische der zweite untere der diastolische wert

mein blutdruck tagebuch version weiß amazon de - Jul 28 2023

web mein blutdruck tagebuch version weiß blutdruck tagebuch zum ausfüllen großer blutdruckpass für mehr als 3000 messungen gegliedert nach zeit zu weihnachten für die großeltern dina5 health smart isbn 9781711669151 kostenloser versand für alle bücher mit versand und verkauf duch amazon

blutdrucktagebuch von ziel blutdruck wochendurchschnitt - Mar 12 2022

web klinik für nieren und hochdruckerkrankungen blutdrucktagebuch von ziel blutdruck wochendurchschnitt anleitung

blutdruckmessung 1 woche pro monat von montag bis sonntag anschließend haben sie frei
mein blutdruck tagebuch version weiß amazon de - May 26 2023

web mein blutdruck tagebuch version weiß blutdruck tagebuch zum ausfüllen großer blutdruckpass für mehr als 3000 messungen gegliedert nach zeit zu weihnachten für die großeltern dina5 health smart amazon de books

die blutdruck tagebuch app bei bluthochdruck hypertonie - Oct 19 2022

web bluthochdruck hypertonie schädigt ihre gefäße deswegen sollten sie keine einnahme ihrer blutdruck tabletten blutdrucksenker verpassen richten sie mytherapy ein um sie an die einnahme ihrer ace hemmer oder beta blocker zu erinnern und auch ans blutdruckmessen oder den täglichen spaziergang kann die app erinnern

mein blutdruck tagebuch version weiss blutdruck t ludwig - Feb 11 2022

web mein blutdruck tagebuch version weiss blutdruck t when people should go to the ebook stores search creation by shop shelf by shelf it is truly problematic this is why we offer the ebook compilations in this website it will enormously ease you to look guide mein blutdruck tagebuch version weiss blutdruck t as you such as

9781711668819 mein blutdruck pass version weiß blutdruck tagebuch - Mar 24 2023

web mein blutdruck pass version weiß blutdruck tagebuch zum ausfüllen großer blutdruckpass für mehr als 3000 messungen gegliedert nach zeit zu weihnachten für die großeltern din a5 finden sie alle bücher von health smart

blutdruck app deutsch im app store - Jun 15 2022

web iphone unsere blutdruck tagebuch kostenlos in deutsch bietet dir viele möglichkeiten deinen blutdruck und puls zu kontrollieren du kannst einfach mit deinem blutdruckgerät deinen blutdruck messen und die werte im tagebuch eintragen somit kannst du deine blutdruckdaten ganz einfach verwalten

mein blutdruck tagebuch version weiss blutdruck t pdf - Sep 18 2022

web mein blutdruck tagebuch version weiss blutdruck t downloaded from doblespacio uchile cl by guest mccarthy madelynn philosophical investigations independently published du suchst ein kompaktes blutdrucktagebuch wir haben es schlicht und einfach helfen unsere notizbücher einen idealen Überblick über deine

myheart blutdrucktagebuch im app store - Nov 20 2022

web mit der app blutdruckprotokoll und tagebuch können sie ihren blutdruck verfolgen protokollieren und überwachen diese app misst nicht ihren blutdruck aber sie hilft ihnen ihren blutdruck systolischer oder hoher druck diastolischer oder niedriger druck herzschlag puls und mehr zu protokollieren

blutdruck tagebuch uni tuebingen de - Jul 16 2022

web blutdruck tagebuch datum uhrzeit blutdruck puls anmerkung systolisch oberer wert diastolisch unterer wert

mein blutdruck tagebuch hochdruck aktuell - Apr 25 2023

web 85 60 bluthochdruck therapie in einer single pill bluthochdruck lässt sich gut behandeln reichen lebensstiländerungen nicht aus gehört die regelmäßige einnahme von medikamenten mit zur behandlung

mein blutdruck tagebuch version weiss blutdruck t david g - Aug 17 2022

web mein blutdruck tagebuch version weiss blutdruck t as recognized adventure as skillfully as experience very nearly lesson amusement as well as harmony can be gotten by just checking out a book mein blutdruck tagebuch version weiss blutdruck t moreover it is not directly done you could acknowledge even more roughly this life just about the

mein blutdruck pass version weiß kurve blutdruck tagebuch - Feb 23 2023

web nov 25 2019 dann ist dieser blutdruck pass von smart health genau das richtige für dich er ist handlich mein blutdruck pass version weiß kurve blutdruck tagebuch zum ausfüllen großer blutdruckpass für mehr als 3000 messungen gegliedert nach zeit für die großeltern by smart health goodreads

blutdruck pass zum eintragen version weiß blutdruck tagebuch - Jun 27 2023

web blutdruck pass zum eintragen version weiß blutdruck tagebuch zum ausfüllen großer blutdruckpass für mehr als 3000 messungen gegliedert nach geschenk zu weihnachten für die großeltern health smart amazon com tr kitap

mein blutdruck tagebuch taschenbuch 1 april 2016 amazon de - Dec 21 2022

web mein blutdruck tagebuch sültz reate sültz uwe h isbn 9783839129807 kostenloser versand für alle bücher mit versand und verkauf duch amazon

blutdrucktagebuch den blutdruck im blick behalten pascoe - May 14 2022

web may 3 2023 blutdruckwerte richtig messen und in der blutdrucktabelle einfach dokumentieren wer unter hohem blutdruck hypertonie leidet weiß wie wichtig es ist die blutdruckwerte im blick zu behalten das geht am einfachsten mit einem protokoll der blutdruckwerte in einem blutdrucktagebuch