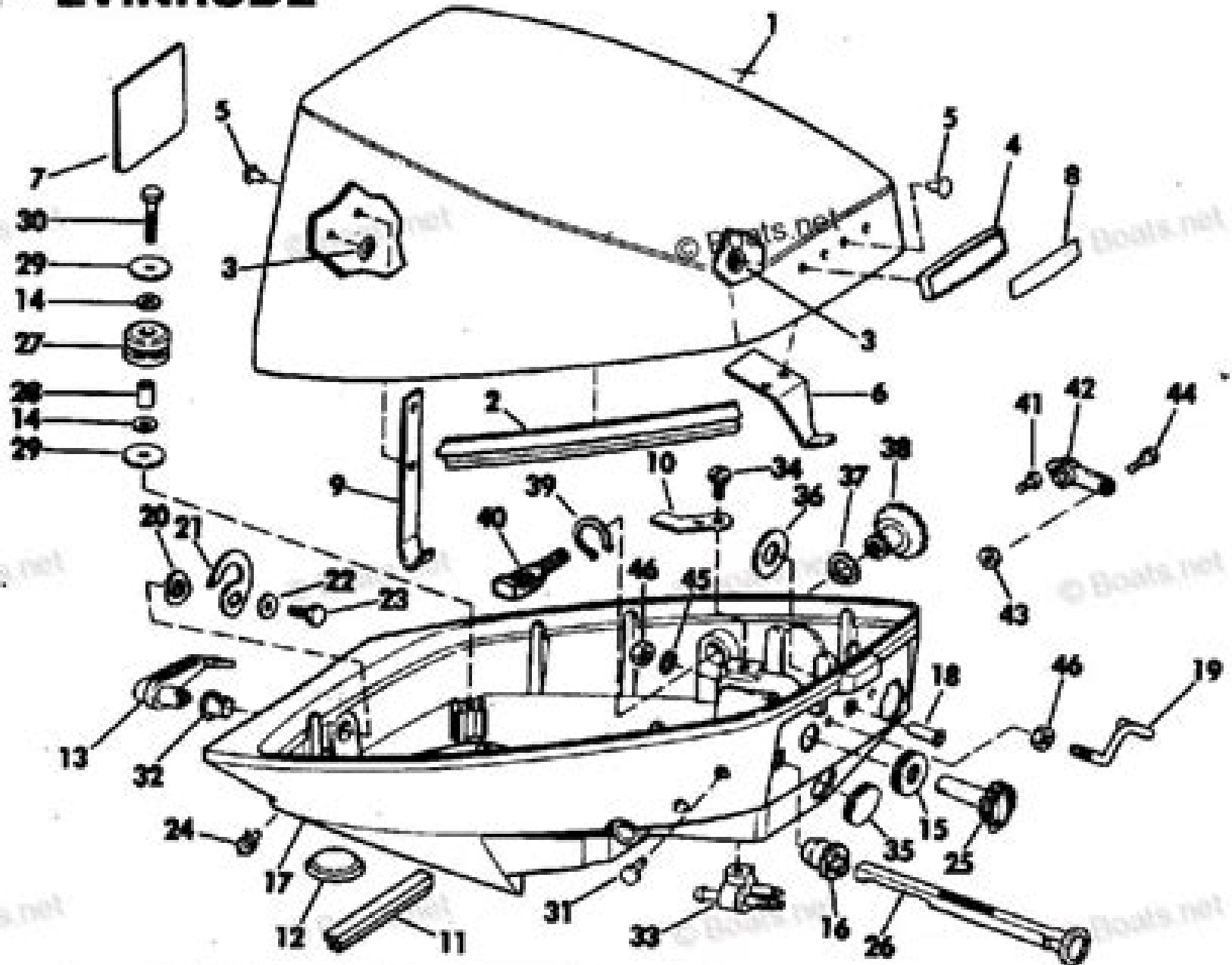


# OVER - EVINRUDE



# 6 Hp Evinrude Fuel Pump Diagrams

**L Darling-Hammond**



## 6 Hp Evinrude Fuel Pump Diagrams:

**Boating** ,2006-11    **Boating** ,2007-03    **Boating** ,2007-01    **Marine Engine Parts Tools, Equipment** ,1946  
**Chilton's Repair and Tune-up Guide: Outboard Motors, Under 30 Horsepower** Chilton Book Company. Automotive Editorial Department,1973 Provides a manual for the proper care of outboard motors under thirty horsepower made by Chrysler Kiekhaefer Mercury and Outboard Marine Corporation    **Seloc's Johnson/Evinrude Outboard: 1971-1985 : 2.0 HP thru 60 HP** Clarence W. Coles,Howard U. Young,1989    Popular Mechanics ,1968-06 Popular Mechanics inspires instructs and influences readers to help them master the modern world Whether it s practical DIY home improvement tips gadgets and digital technology information on the newest cars or the latest breakthroughs in science PM is the ultimate guide to our high tech lifestyle    MotorBoating ,1965-01    Outboard Motor Service Manual: Motors below 30 hp ,1979  
Motorboating - ND ,1935-07    *Chilton's Repair and Tune-up Guide: Outboard Motors, 30 Horsepower & Over* Chilton Book Company. Automotive Editorial Department,1973 Repair and Tune up Guide    *Bibliography of Scientific and Industrial Reports* ,1946    **Boats** ,1958    **H. Channon Company Chicago List Price Catalog No. 101** H. Channon Company,1930    **Automotive Industries** ,1966    **Outboard Engines** Edwin R. Sherman,1997 Outboard Engines fills the gap between owner s manuals that don t even tell you how to change a spark plug and professional shop manuals that detail how to do a complete rebuild It covers basic principles and techniques for a wide variety of outboards four stroke as well as two stroke with the emphasis on maintenance and advanced troubleshooting Ed Sherman s clear explanations and diagrams take you step by step through the basics and beyond helping you track down even the most elusive problems a modern outboard can throw in your way his methodical approach can save you a world of frustration and peril as well as time and a half weekend mechanics charges    *National Fisherman* ,1989-05    **Atlantic Fisherman** ,1989    *The American Exporter* ,1929    The Woodenboat ,2002

Ignite the flame of optimism with Get Inspired by is motivational masterpiece, **6 Hp Evinrude Fuel Pump Diagrams** . In a downloadable PDF format ( PDF Size: \*), this ebook is a beacon of encouragement. Download now and let the words propel you towards a brighter, more motivated tomorrow.

[https://auld.rmjm.com/results/book-search/Download\\_PDFS/Soft\\_X\\_rays\\_And\\_Extreme\\_Ultraviolet\\_Radiation\\_Principles\\_And\\_Applications.pdf](https://auld.rmjm.com/results/book-search/Download_PDFS/Soft_X_rays_And_Extreme_Ultraviolet_Radiation_Principles_And_Applications.pdf)

## **Table of Contents 6 Hp Evinrude Fuel Pump Diagrams**

1. Understanding the eBook 6 Hp Evinrude Fuel Pump Diagrams
  - The Rise of Digital Reading 6 Hp Evinrude Fuel Pump Diagrams
  - Advantages of eBooks Over Traditional Books
2. Identifying 6 Hp Evinrude Fuel Pump Diagrams
  - Exploring Different Genres
  - Considering Fiction vs. Non-Fiction
  - Determining Your Reading Goals
3. Choosing the Right eBook Platform
  - Popular eBook Platforms
  - Features to Look for in an 6 Hp Evinrude Fuel Pump Diagrams
  - User-Friendly Interface
4. Exploring eBook Recommendations from 6 Hp Evinrude Fuel Pump Diagrams
  - Personalized Recommendations
  - 6 Hp Evinrude Fuel Pump Diagrams User Reviews and Ratings
  - 6 Hp Evinrude Fuel Pump Diagrams and Bestseller Lists
5. Accessing 6 Hp Evinrude Fuel Pump Diagrams Free and Paid eBooks
  - 6 Hp Evinrude Fuel Pump Diagrams Public Domain eBooks
  - 6 Hp Evinrude Fuel Pump Diagrams eBook Subscription Services
  - 6 Hp Evinrude Fuel Pump Diagrams Budget-Friendly Options

6. Navigating 6 Hp Evinrude Fuel Pump Diagrams eBook Formats
  - ePub, PDF, MOBI, and More
  - 6 Hp Evinrude Fuel Pump Diagrams Compatibility with Devices
  - 6 Hp Evinrude Fuel Pump Diagrams Enhanced eBook Features
7. Enhancing Your Reading Experience
  - Adjustable Fonts and Text Sizes of 6 Hp Evinrude Fuel Pump Diagrams
  - Highlighting and Note-Taking 6 Hp Evinrude Fuel Pump Diagrams
  - Interactive Elements 6 Hp Evinrude Fuel Pump Diagrams
8. Staying Engaged with 6 Hp Evinrude Fuel Pump Diagrams
  - Joining Online Reading Communities
  - Participating in Virtual Book Clubs
  - Following Authors and Publishers 6 Hp Evinrude Fuel Pump Diagrams
9. Balancing eBooks and Physical Books 6 Hp Evinrude Fuel Pump Diagrams
  - Benefits of a Digital Library
  - Creating a Diverse Reading Collection 6 Hp Evinrude Fuel Pump Diagrams
10. Overcoming Reading Challenges
  - Dealing with Digital Eye Strain
  - Minimizing Distractions
  - Managing Screen Time
11. Cultivating a Reading Routine 6 Hp Evinrude Fuel Pump Diagrams
  - Setting Reading Goals 6 Hp Evinrude Fuel Pump Diagrams
  - Carving Out Dedicated Reading Time
12. Sourcing Reliable Information of 6 Hp Evinrude Fuel Pump Diagrams
  - Fact-Checking eBook Content of 6 Hp Evinrude Fuel Pump Diagrams
  - Distinguishing Credible Sources
13. Promoting Lifelong Learning
  - Utilizing eBooks for Skill Development
  - Exploring Educational eBooks
14. Embracing eBook Trends
  - Integration of Multimedia Elements

- 
- Interactive and Gamified eBooks

## **6 Hp Evinrude Fuel Pump Diagrams Introduction**

In the digital age, access to information has become easier than ever before. The ability to download 6 Hp Evinrude Fuel Pump Diagrams has revolutionized the way we consume written content. Whether you are a student looking for course material, an avid reader searching for your next favorite book, or a professional seeking research papers, the option to download 6 Hp Evinrude Fuel Pump Diagrams has opened up a world of possibilities. Downloading 6 Hp Evinrude Fuel Pump Diagrams provides numerous advantages over physical copies of books and documents. Firstly, it is incredibly convenient. Gone are the days of carrying around heavy textbooks or bulky folders filled with papers. With the click of a button, you can gain immediate access to valuable resources on any device. This convenience allows for efficient studying, researching, and reading on the go. Moreover, the cost-effective nature of downloading 6 Hp Evinrude Fuel Pump Diagrams has democratized knowledge. Traditional books and academic journals can be expensive, making it difficult for individuals with limited financial resources to access information. By offering free PDF downloads, publishers and authors are enabling a wider audience to benefit from their work. This inclusivity promotes equal opportunities for learning and personal growth. There are numerous websites and platforms where individuals can download 6 Hp Evinrude Fuel Pump Diagrams. These websites range from academic databases offering research papers and journals to online libraries with an expansive collection of books from various genres. Many authors and publishers also upload their work to specific websites, granting readers access to their content without any charge. These platforms not only provide access to existing literature but also serve as an excellent platform for undiscovered authors to share their work with the world. However, it is essential to be cautious while downloading 6 Hp Evinrude Fuel Pump Diagrams. Some websites may offer pirated or illegally obtained copies of copyrighted material. Engaging in such activities not only violates copyright laws but also undermines the efforts of authors, publishers, and researchers. To ensure ethical downloading, it is advisable to utilize reputable websites that prioritize the legal distribution of content. When downloading 6 Hp Evinrude Fuel Pump Diagrams, users should also consider the potential security risks associated with online platforms. Malicious actors may exploit vulnerabilities in unprotected websites to distribute malware or steal personal information. To protect themselves, individuals should ensure their devices have reliable antivirus software installed and validate the legitimacy of the websites they are downloading from. In conclusion, the ability to download 6 Hp Evinrude Fuel Pump Diagrams has transformed the way we access information. With the convenience, cost-effectiveness, and accessibility it offers, free PDF downloads have become a popular choice for students, researchers, and book lovers worldwide. However, it is crucial to engage in ethical downloading practices and prioritize personal security when utilizing online platforms. By doing so, individuals can make the most of the vast array of free PDF resources available

---

and embark on a journey of continuous learning and intellectual growth.

## **FAQs About 6 Hp Evinrude Fuel Pump Diagrams Books**

**What is a 6 Hp Evinrude Fuel Pump Diagrams PDF?** A PDF (Portable Document Format) is a file format developed by Adobe that preserves the layout and formatting of a document, regardless of the software, hardware, or operating system used to view or print it. **How do I create a 6 Hp Evinrude Fuel Pump Diagrams PDF?** There are several ways to create a PDF: Use software like Adobe Acrobat, Microsoft Word, or Google Docs, which often have built-in PDF creation tools. Print to PDF: Many applications and operating systems have a "Print to PDF" option that allows you to save a document as a PDF file instead of printing it on paper. Online converters: There are various online tools that can convert different file types to PDF. **How do I edit a 6 Hp Evinrude Fuel Pump Diagrams PDF?** Editing a PDF can be done with software like Adobe Acrobat, which allows direct editing of text, images, and other elements within the PDF. Some free tools, like PDFescape or Smallpdf, also offer basic editing capabilities. **How do I convert a 6 Hp Evinrude Fuel Pump Diagrams PDF to another file format?** There are multiple ways to convert a PDF to another format: Use online converters like Smallpdf, Zamzar, or Adobe Acrobat's export feature to convert PDFs to formats like Word, Excel, JPEG, etc. Software like Adobe Acrobat, Microsoft Word, or other PDF editors may have options to export or save PDFs in different formats. **How do I password-protect a 6 Hp Evinrude Fuel Pump Diagrams PDF?** Most PDF editing software allows you to add password protection. In Adobe Acrobat, for instance, you can go to "File" -> "Properties" -> "Security" to set a password to restrict access or editing capabilities. Are there any free alternatives to Adobe Acrobat for working with PDFs? Yes, there are many free alternatives for working with PDFs, such as: LibreOffice: Offers PDF editing features. PDFsam: Allows splitting, merging, and editing PDFs. Foxit Reader: Provides basic PDF viewing and editing capabilities. How do I compress a PDF file? You can use online tools like Smallpdf, ILovePDF, or desktop software like Adobe Acrobat to compress PDF files without significant quality loss. Compression reduces the file size, making it easier to share and download. Can I fill out forms in a PDF file? Yes, most PDF viewers/editors like Adobe Acrobat, Preview (on Mac), or various online tools allow you to fill out forms in PDF files by selecting text fields and entering information. Are there any restrictions when working with PDFs? Some PDFs might have restrictions set by their creator, such as password protection, editing restrictions, or print restrictions. Breaking these restrictions might require specific software or tools, which may or may not be legal depending on the circumstances and local laws.

---

**Find 6 Hp Evinrude Fuel Pump Diagrams :**

**soft x-rays and extreme ultraviolet radiation principles and applications**

**solitons and instantons an introduction to solitons and instantons in quantum field theory**

*solomons house revisited the organization and institutionalization of science nobel symposium 75 nobel symposium//proceedings*

**sociology introductory readings**

solfge des solfges ii

~~soldiers of destruction~~

~~soil processes processes in physical geography ser.~~

**soggy saturday**

*software synthesizers the definitive guide to virtual musical instruments.*

*socrates the snowman signed by author.*

**sock craft toys gifts and other things to make**

**solaris 9 - the complete reference**

software law primer

solid-state laser engineering second 2e completely revised updated e 1988

*sodom berlin*

**6 Hp Evinrude Fuel Pump Diagrams :**

**biblegateway com search for a bible passage in 71 languages** - Apr 08 2023

web new international version niv bible book list font size passage lookup keyword search topical index enter passage s

select version s look up passage s in multiple versions look up passage s in one version options

*new international version wikipedia* - Jun 10 2023

web the new international version niv is a translation of the bible into contemporary english published by biblica the complete niv was released in 1978 with a minor revision in 1984 and a major revision in 2011 the niv relies on recently published critical editions of the original hebrew aramaic and greek texts 1 2

**download new international version niv bible 100 free** - Aug 12 2023

web english read niv listen to niv biblica is the worldwide publisher and translation sponsor of the new international version

one of the most widely read contemporary english versions of the bible at biblica we believe that with god all things are



possible

**bible gateway passage matthew 1 new international version** - Mar 07 2023

web new international version the genealogy of jesus the messiah 1 this is the genealogy a of jesus the messiah b the son of david the son of abraham 2 abraham was the father of isaac isaac the father of jacob jacob the father of judah and his brothers 3 judah the father of perez and zerah whose mother was tamar perez the father of hezron

[niv bible new international version the niv bible translation](#) - Jul 11 2023

web the new international version began with one man s vision for a faithful rendering of the bible in contemporary english and today is the world s best selling modern english translation of the bible that delivers the best combination of accuracy and readability

[online bible](#) - May 09 2023

web the new international version niv is a completely original translation of the bible developed by more than one hundred scholars working from the best available hebrew aramaic and greek texts the initial vision for the project was provided by a single individual an engineer working with general electric in seattle by the name of howard

[the new international version niv bible read online](#) - Sep 13 2023

web search and read the niv bible verses using the popular new international version translation take notes online highlight verses and save notes

[today s new international version wikipedia](#) - Jan 05 2023

web today s new international version tniv is an english translation of the bible which was developed by the committee on bible translation cbt the cbt also developed the new international version niv in the 1970s the tniv is based on the niv  
*new international version niv version information biblegateway com* - Oct 14 2023

web version information the new international version niv is a completely original translation of the bible developed by more than one hundred scholars working from the best available hebrew aramaic and greek texts the initial vision for the project was provided by a single individual an engineer working with general electric in seattle

**genesis 1 new international version niv biblica** - Feb 06 2023

web genesis 1 new international version 2011 niv11 compare with genesis 1 1 31 the beginning 1 in the beginning god created the heavens and the earth 2 now the earth was formless and empty darkness was over the surface of the deep and the spirit of god was hovering over the waters

*sri lakshmi ashtottara shatanamavali 108 names of goddess lakshmi* - Aug 07 2023

web lakshmi ashtottara shatanamavali or lakshmi ashtothram are the divine names of goddess lakshmi explaining her divine attributes appearance and greatness these 108 names of goddess lakshmi also signify her bestowing and protecting nature

[sri lakshmi ashtothram lyrics in english astroved](#) - Sep 27 2022

web june 23 2021 total views 1 512 the lakshmi ashtottara shatanama stotram is a sacred hymn that extols goddess lakshmi the hindu goddess of wealth fortune and auspiciousness this stotram comprises 108 names of goddess lakshmi that are mentioned in the verses of the hymn

[ashtotram youtube](#) - Apr 22 2022

web dec 10 2008 lakshmi ashtotram

**hagia sophia wikipedia** - Jan 20 2022

web hagia sophia lit holy wisdom turkish ayasofya greek Ἁγία Σοφία romanized hagía sophía latin sancta sapientia officially the hagia sophia mosque turkish ayasofya i kebir cami i Şerifi 3 is a mosque and a major cultural and historical site in istanbul turkey

**ashta lakshmi ashtothram in english 108 names bhaktinidhi** - Dec 31 2022

web ashta lakshmi ashtothram or ashta lakshmi ashtottara shatanamavali is the 108 names of ashtalakshmi get sri ashta lakshmi ashtothram in english pdf lyrics here and chant the 108 names of astalaxmi ashta lakshmi ashtothram in english 108 names om śrīmātrē namaḥ om śrīmahārājñai namaḥ om śrīmatsimhāsanēśvāryai namaḥ

**ashtalakshmi ashtothram ashtalakshmi ashtottara shatanamavali** - Nov 29 2022

web this ashtalakshmi ashtothram praises these eight forms of lakshmi with 108 names describing the divine nature of goddess lakshmi the greatness of the ashtalakshmi forms and their bestowing nature although there are stotras like the ashtalakshmi stotram mahalakshmi ashtakam for worshipping the eight forms

[lakshmi ashtotram 108 names of goddess lakshmi jothishi](#) - Mar 02 2023

web oct 7 2019 lakshmi ashtotram 108 names of goddess lakshmi this stotram is chanted for wealth prosperity and fortune and is suitable especially on fridays

**sri lakshmi ashtothram ashtotram youtube** - Jun 05 2023

web oct 6 2013 goddess sri lakshmi devi ashtotram 108 names of lalitha ashtottara namavali ashtothram mant dussehra dasara sri lakshmi sahasranama stotram in telugu

**lakshmi ashtottara shatanama stotram lyrics english** - Feb 01 2023

web the lakshmi ashtottara shatanama stotram is a divine hymn composed on goddess lakshmi this stotram consists 108 names of goddess lakshmi that are jeweled into several verses in hindu tradition goddess lakshmi is known as the bestower of wealth and good fortune when reciting this lakshmi ashtottara shatanama stotram lyrics

[shri shri lakshmi bengali panchali ams istanbul edu](#) - Dec 19 2021

web lakshmi broto katha and panchali in english this is a holy book written in english alphabets for people who cannot read

bengali it is read every thursday while performing lakshmi puja who is a goddess of fortune it also describes how to

**ashtalakshmi stotram lyrics in sanskrit hindi pdf** - Feb 18 2022

web ashtalakshmi

**lakshmi ashtothram pdf devi hindu tantra scribd** - Aug 27 2022

web lakshmi ashtothram uploaded by chamkrisarmatha the way to worship of goddess lakshmi for wealth and prosperity and all well being is given with chanting of 108 namas of goddess lakshmi copyright attribution no derivs by nd available formats download as txt pdf txt or read online from scribd flag for inappropriate content download

**sri lakshmi astrothram mahalakshmi mantra sloka** - Jun 24 2022

web shri lakshmi astothra sadha naamavali aum prakruthyai namah aum vikruthyai namah aum vidyaayai namah aum sarvabhoothahithapradayai namah aum shraddhayai namah aum vibhuthyai namah aum surabhyai namah aum paramatmikaayai namah aum vache namah aum padmalayaayai namah aum

**sri lakshmi ashtottara shatanamavali śrī lakṣmī aṣṭōttaraśatanāmāvalī** - Apr 03 2023

web aug 1 2022 sri lakshmi ashtottara shatanamavali śrī lakṣmī aṣṭōttaraśatanāmāvalī stotranidhi com updated on august 1 2022

*lakshmi ashtothram in english 108 names of goddess lakshmi* - Oct 09 2023

web lakshmi ashtothram in english or sri lakshmi ashtottara shatanamavali is the 108 names of goddess lakshmi who is the goddess of wealth and prosperity get sri lakshmi ashtothram lyrics in english and chant the 108 names of lakshmi in english to get blessed with peace and prosperity lakshmi ashtothram in english lyrics om

**lakshmi ashtothram lyrics in english aanmeegam** - Oct 29 2022

web feb 16 2022 lakshmi ashtothram lyrics in english lakshmi ashtothram here you can read and recite sri lakshmi ashtottara shatanamavali in english 108 names of sri lakshmi devi

dhanteras lakshmi puja muhurat timing 2017 istanbul istanbul - Mar 22 2022

web lakshmi puja on dhanteras should be performed during pradosh kaal that start after sunset many devotees believe to perform laxmi puja from chogadiya muhurattimings there timings are good for traveling only the best time for lakshmi puja on dhanteras is during sthir lagna which means goddess lakshmi stay in your home

sri lakshmi ashtothram in english it s benefits pujasthan - Jul 26 2022

web mar 11 2023 sri lakshmi ashtothram is a sacred hymn comprising 108 names of goddess lakshmi the hindu deity of wealth prosperity and good fortune chanting sri lakshmi ashtothram is considered to be a powerful spiritual practice that can bring numerous benefits including

lakshmi ashtothram youtube - May 24 2022

web dec 21 2008 lakshmi ashtothram

**sree lakshmi ashtottara satanaama stotram vaidika vignanam** - Jul 06 2023

web sree lakshmi ashtottara satanaama stotram english vaidika vignanam a collection of spiritual and devotional literature in various indian languages in sanskrit samskrutam hindia telugu kannada tamil malayalam gujarati

*lakshmi kataksham sri lakshmi ashtothram slokam youtube* - May 04 2023

web apr 23 2014 lakshmi kataksham sri lakshmi ashtothram slokam saregama telugu 5 3m subscribers subscribed 1 2 3 4 5 6 7 8 9 0 1 2 3 4 5 6 7 8 9 0 1 2 3 4 5 6 7 8 9 1 2

lakshmi ashtothram m s subbulakshmi ragamalika carnatic - Sep 08 2023

web may 25 2023 listen to the carnatic classical music lakshmi ashtothram by m s subbulakshmi only on saregamacarnaticclassical credits song lakshmi ashtothramartist

academic training sample letter sdsu san diego state - Jun 12 2023

an organization may come across a talented individual that it wants to hire but will require some sort of training in that case the see more

**sample academic training letter of offer from an** - Jan 07 2023

web a training letter is a letter that is written on behalf of the company to a student or a candidate who will soon be looking for employment it offers training for

**request letter for training approval how to draft it** - Mar 29 2022

web feb 16 2023 1 include a subject the subject line provides a summary of an email s key message you may include the date and time of the training in the subject line or you

*youngkin pardons father of girl sexually assaulted at loudoun* - Oct 24 2021

web dec 30 2013 download now 1of 1 recommended internship sample letterayesha arshad56 6kviews 1slide inplant training 2nd yearhari33335 6kviews 1slide industrial

**training letter 28 examples format sample** - Aug 14 2023

if you have received a useful training from your organization or superior you can always send in a training acknowledgement letter to your manager here is a sample training acknowledgment letter that talks about the benefit of the training received and acknowledges how useful it was see more

*how to write a training request letter samples inside* □ - Aug 22 2021

web free training specialist cover letter example dear ms james upon consideration of your posting for a training specialist i felt compelled to submit my resume for your review

free training letter pdf template download template net - May 11 2023

if you are involved in a trainig and internship program but cannot continue for personal or professional reasons then you need to write a letter to the management to let them know of your decision to resign here is a sample see more

*jss academy of technical education prof r b sharma scribd* - Feb 25 2022

web jul 26 2021 respected sir madam through this letter i would extend my interest in the training program which is being conducted in your reputed company organization i e

*how to write a training request letter glassdoor* - Feb 08 2023

web academic training sample letter sdsu department letterhead date to whom it may concern name of student has been offered a training position with name of

*employment training letter free sample letters* - Oct 04 2022

web dear student name this letter is to extend a formal offer of employment as job title at company department name the employment will begin on start date and end on end

**how in write a training request letter samples inside** - Jul 01 2022

web sample letter from employer for academic training please use letterhead date international student coordinator international student affairs office p o box 27009

*how to write a training email with template and example* - May 31 2022

web during the training period the department concerned is pleased to appoint a co guide for guiding the students in the organization the co guide can award fifty marks on the

**training request letter 4 free templates writolay** - Dec 26 2021

web dear sir madam as a student doing bachelor of course at name of faculty universiti tunku abdul rahman i am seeking for opportunity to do my industrial training in the

**training letter format for b tech pdf scribd** - Nov 05 2022

web dear student s name this is to confirm that name of company is offering you employment as a job title starting start date and ending end date this

**doc training letter template academia edu** - Aug 02 2022

web jul 2 2018 an employment training letter is a letter written to a person who is preferably a student or a candidate who will soon be looking for employment and entering the

**free training letter word templates pdffiller** - Sep 03 2022

web of 1 school of engineering technology a unit of ganga technical campus approved by aicte new delhi and affiliated to mdu rohtak ref date to subject request

*sample letter of employer letter for academic training application* - Dec 06 2022

web edit training letter online for free and download utilize our handy document editor tool to edit your training letter template online from our available training letter template

[training specialist cover letter examples samples for 2023](#) - Sep 22 2021

web sep 10 2023 virginia gov glenn youngkin r pardoned a loudoun county father whose daughter had been sexually assaulted at school and whose arrest had sparked outrage

[industrial training letter format slideshare](#) - Nov 24 2021

web aug 26 2023 slide in start the letter by addressing the authorities and giving a formal introduction to yourself make sure to write your full name and the details of your job

[1 sample cover letters for student reference to seek industrial](#) - Jan 27 2022

web training letter format free download as word doc doc pdf file pdf text file txt or read online for free sample training letter for internship

[tips for writing a training request letter with example](#) - Mar 09 2023

web jan 24 2022 like every other formal letter there are acceptable formats when writing a letter to request training here is a simple guide salutation dear sir madam

**free training letter template download in word** - Apr 10 2023

if you want to inform an employee about his selection for employment and about his training session that will begin soon here is the perfect training see more

[how to write a training request letter samples inside](#) - Jul 13 2023

as a manager if you have received a training request from your subordinate then you can acknowledge the request by emailing or giving a see more

**application letter for attending training letters in english** - Apr 29 2022

web jan 24 2022 salutation dear sir madam introduction state the purpose of which letter request in training and reasons for the training list of options and fees