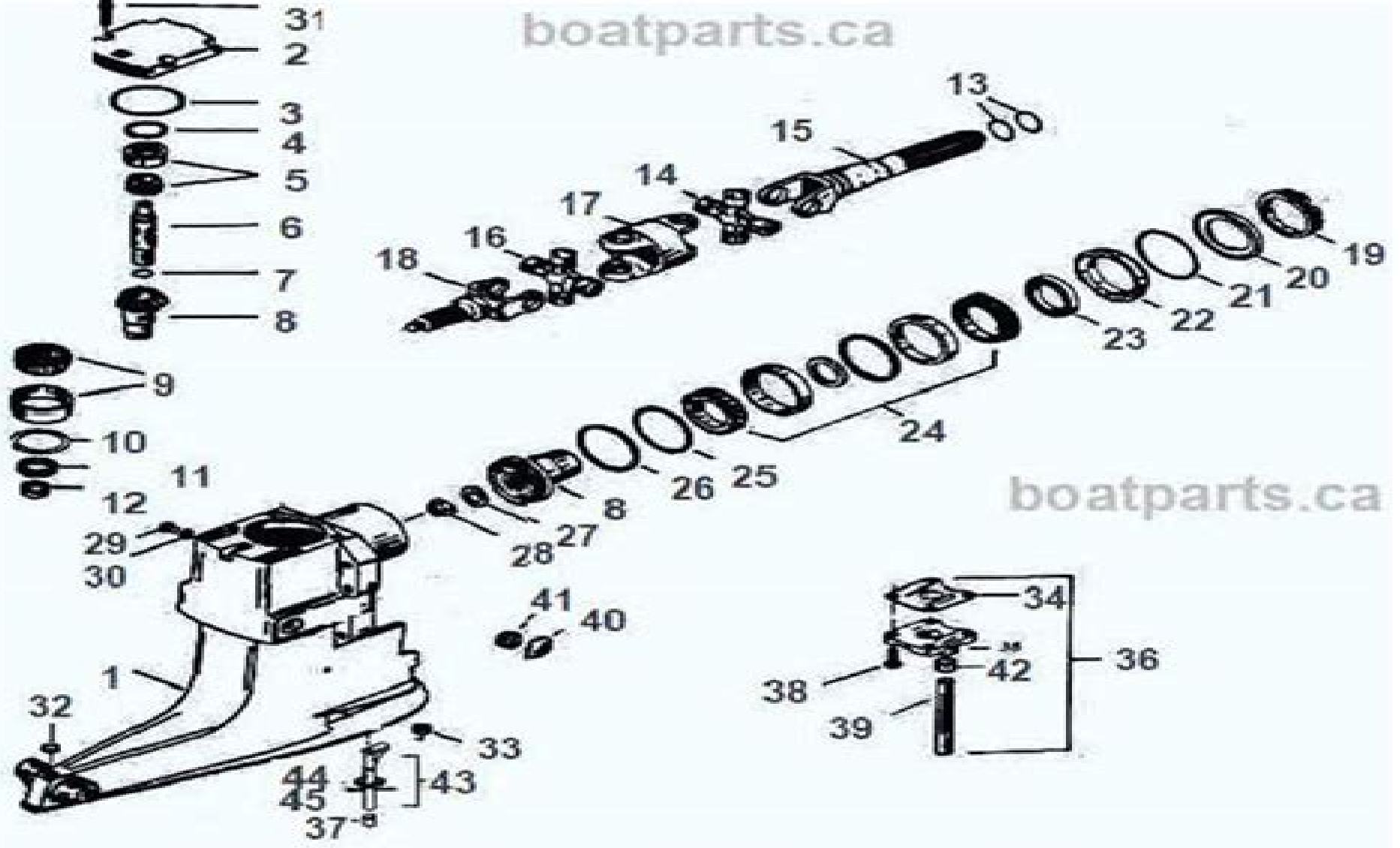


boatparts.ca



boatparts.ca

Mercruiser / Alpha One

boatparts.ca

Mercuriser Alpha One 3 0 Diagram

IM Harris



Mercuriser Alpha One 3 0 Diagram:

The Sidereal Messenger ,1891 The Encyclopædia Britannica Thomas Spencer Baynes,1891 **Journal** ,1934
Includes annual report of its council 1941 48 in pt 1 English Mechanic and World of Science ,1884 **Illustrated**
London Almanack Illustrated London News,1845 **ASM Metals Reference Book** ,1983 The Builder ,1892
English Mechanic and Mirror of Science and Art ,1884 **The Encyclopaedia Britannica** ,1894 Physica B +
C. ,1980 Part B has subtitle Low temperature and solid state physics 1975 76 Physics of condensed matter 1977 1982 and
part C has subtitle Atomic molecular and plasma physics optics The Illustrated London Almanack ,1850 **Popular**
Astronomy William Wallace Payne,Herbert C. Wilson,Curvin Henry Gingrich,1894 **Professional Papers of the Signal**
Service prepared under the direction of W. B. Hazen ,1881 The Naturalists' Leisure Hour and Monthly Bulletin
,1885 **The Electrical World** ,1890 **Engineering** ,1892 Encyclopædia Britannica: loo-mem Day Otis Kellogg,1883
Calculus Dennis G. Zill,1992 Introduces difficult concepts by using intuitive and concrete examples to motivate students
Concise and accurate writing style with key concepts developed in an easily understandable manner Provides an early
introduction to calculus and differential equations Remarks sections warn of potential pitfalls and point out milestones in the
historical development of calculus **Air Pictorial and Air Reserve Gazette** ,1956 **Soviet Electrochemistry** ,1992

Enjoying the Melody of Expression: An Emotional Symphony within **Mercruiser Alpha One 3 0 Diagram**

In a world taken by screens and the ceaseless chatter of immediate connection, the melodic elegance and emotional symphony created by the published word often fade into the background, eclipsed by the relentless sound and disturbances that permeate our lives. But, situated within the pages of **Mercruiser Alpha One 3 0 Diagram** a charming fictional prize brimming with organic thoughts, lies an immersive symphony waiting to be embraced. Constructed by an elegant composer of language, this fascinating masterpiece conducts viewers on a mental journey, well unraveling the concealed songs and profound affect resonating within each carefully crafted phrase. Within the depths of the moving evaluation, we shall explore the book is central harmonies, analyze its enthralling publishing model, and submit ourselves to the profound resonance that echoes in the depths of readers souls.

<https://auld.rmjm.com/data/Resources/fetch.php/nd%20semester%20biology%20exam%20review%20answers.pdf>

Table of Contents Mercruiser Alpha One 3 0 Diagram

1. Understanding the eBook Mercruiser Alpha One 3 0 Diagram
 - The Rise of Digital Reading Mercruiser Alpha One 3 0 Diagram
 - Advantages of eBooks Over Traditional Books
2. Identifying Mercruiser Alpha One 3 0 Diagram
 - Exploring Different Genres
 - Considering Fiction vs. Non-Fiction
 - Determining Your Reading Goals
3. Choosing the Right eBook Platform
 - Popular eBook Platforms
 - Features to Look for in an Mercruiser Alpha One 3 0 Diagram
 - User-Friendly Interface
4. Exploring eBook Recommendations from Mercruiser Alpha One 3 0 Diagram
 - Personalized Recommendations

- Mercuriser Alpha One 3 0 Diagram User Reviews and Ratings
- Mercuriser Alpha One 3 0 Diagram and Bestseller Lists
- 5. Accessing Mercuriser Alpha One 3 0 Diagram Free and Paid eBooks
 - Mercuriser Alpha One 3 0 Diagram Public Domain eBooks
 - Mercuriser Alpha One 3 0 Diagram eBook Subscription Services
 - Mercuriser Alpha One 3 0 Diagram Budget-Friendly Options
- 6. Navigating Mercuriser Alpha One 3 0 Diagram eBook Formats
 - ePub, PDF, MOBI, and More
 - Mercuriser Alpha One 3 0 Diagram Compatibility with Devices
 - Mercuriser Alpha One 3 0 Diagram Enhanced eBook Features
- 7. Enhancing Your Reading Experience
 - Adjustable Fonts and Text Sizes of Mercuriser Alpha One 3 0 Diagram
 - Highlighting and Note-Taking Mercuriser Alpha One 3 0 Diagram
 - Interactive Elements Mercuriser Alpha One 3 0 Diagram
- 8. Staying Engaged with Mercuriser Alpha One 3 0 Diagram
 - Joining Online Reading Communities
 - Participating in Virtual Book Clubs
 - Following Authors and Publishers Mercuriser Alpha One 3 0 Diagram
- 9. Balancing eBooks and Physical Books Mercuriser Alpha One 3 0 Diagram
 - Benefits of a Digital Library
 - Creating a Diverse Reading Collection Mercuriser Alpha One 3 0 Diagram
- 10. Overcoming Reading Challenges
 - Dealing with Digital Eye Strain
 - Minimizing Distractions
 - Managing Screen Time
- 11. Cultivating a Reading Routine Mercuriser Alpha One 3 0 Diagram
 - Setting Reading Goals Mercuriser Alpha One 3 0 Diagram
 - Carving Out Dedicated Reading Time
- 12. Sourcing Reliable Information of Mercuriser Alpha One 3 0 Diagram
 - Fact-Checking eBook Content of Mercuriser Alpha One 3 0 Diagram

- Distinguishing Credible Sources
- 13. Promoting Lifelong Learning
 - Utilizing eBooks for Skill Development
 - Exploring Educational eBooks
- 14. Embracing eBook Trends
 - Integration of Multimedia Elements
 - Interactive and Gamified eBooks

Mercuriser Alpha One 3 0 Diagram Introduction

In today's digital age, the availability of Mercuriser Alpha One 3 0 Diagram books and manuals for download has revolutionized the way we access information. Gone are the days of physically flipping through pages and carrying heavy textbooks or manuals. With just a few clicks, we can now access a wealth of knowledge from the comfort of our own homes or on the go. This article will explore the advantages of Mercuriser Alpha One 3 0 Diagram books and manuals for download, along with some popular platforms that offer these resources. One of the significant advantages of Mercuriser Alpha One 3 0 Diagram books and manuals for download is the cost-saving aspect. Traditional books and manuals can be costly, especially if you need to purchase several of them for educational or professional purposes. By accessing Mercuriser Alpha One 3 0 Diagram versions, you eliminate the need to spend money on physical copies. This not only saves you money but also reduces the environmental impact associated with book production and transportation. Furthermore, Mercuriser Alpha One 3 0 Diagram books and manuals for download are incredibly convenient. With just a computer or smartphone and an internet connection, you can access a vast library of resources on any subject imaginable. Whether you're a student looking for textbooks, a professional seeking industry-specific manuals, or someone interested in self-improvement, these digital resources provide an efficient and accessible means of acquiring knowledge. Moreover, PDF books and manuals offer a range of benefits compared to other digital formats. PDF files are designed to retain their formatting regardless of the device used to open them. This ensures that the content appears exactly as intended by the author, with no loss of formatting or missing graphics. Additionally, PDF files can be easily annotated, bookmarked, and searched for specific terms, making them highly practical for studying or referencing. When it comes to accessing Mercuriser Alpha One 3 0 Diagram books and manuals, several platforms offer an extensive collection of resources. One such platform is Project Gutenberg, a nonprofit organization that provides over 60,000 free eBooks. These books are primarily in the public domain, meaning they can be freely distributed and downloaded. Project Gutenberg offers a wide range of classic literature, making it an excellent resource for literature enthusiasts. Another popular platform for Mercuriser Alpha One 3 0 Diagram books and manuals is Open Library.

Open Library is an initiative of the Internet Archive, a non-profit organization dedicated to digitizing cultural artifacts and making them accessible to the public. Open Library hosts millions of books, including both public domain works and contemporary titles. It also allows users to borrow digital copies of certain books for a limited period, similar to a library lending system. Additionally, many universities and educational institutions have their own digital libraries that provide free access to PDF books and manuals. These libraries often offer academic texts, research papers, and technical manuals, making them invaluable resources for students and researchers. Some notable examples include MIT OpenCourseWare, which offers free access to course materials from the Massachusetts Institute of Technology, and the Digital Public Library of America, which provides a vast collection of digitized books and historical documents. In conclusion, Mercuriser Alpha One 3 0 Diagram books and manuals for download have transformed the way we access information. They provide a cost-effective and convenient means of acquiring knowledge, offering the ability to access a vast library of resources at our fingertips. With platforms like Project Gutenberg, Open Library, and various digital libraries offered by educational institutions, we have access to an ever-expanding collection of books and manuals. Whether for educational, professional, or personal purposes, these digital resources serve as valuable tools for continuous learning and self-improvement. So why not take advantage of the vast world of Mercuriser Alpha One 3 0 Diagram books and manuals for download and embark on your journey of knowledge?

FAQs About Mercuriser Alpha One 3 0 Diagram Books

How do I know which eBook platform is the best for me? Finding the best eBook platform depends on your reading preferences and device compatibility. Research different platforms, read user reviews, and explore their features before making a choice. Are free eBooks of good quality? Yes, many reputable platforms offer high-quality free eBooks, including classics and public domain works. However, make sure to verify the source to ensure the eBook credibility. Can I read eBooks without an eReader? Absolutely! Most eBook platforms offer webbased readers or mobile apps that allow you to read eBooks on your computer, tablet, or smartphone. How do I avoid digital eye strain while reading eBooks? To prevent digital eye strain, take regular breaks, adjust the font size and background color, and ensure proper lighting while reading eBooks. What the advantage of interactive eBooks? Interactive eBooks incorporate multimedia elements, quizzes, and activities, enhancing the reader engagement and providing a more immersive learning experience. Mercuriser Alpha One 3 0 Diagram is one of the best book in our library for free trial. We provide copy of Mercuriser Alpha One 3 0 Diagram in digital format, so the resources that you find are reliable. There are also many Ebooks of related with Mercuriser Alpha One 3 0 Diagram. Where to download Mercuriser Alpha One 3 0 Diagram online for free? Are you looking for Mercuriser Alpha One 3 0

Diagram PDF? This is definitely going to save you time and cash in something you should think about. If you trying to find then search around for online. Without a doubt there are numerous these available and many of them have the freedom. However without doubt you receive whatever you purchase. An alternate way to get ideas is always to check another Mercuriser Alpha One 3 0 Diagram. This method for see exactly what may be included and adopt these ideas to your book. This site will almost certainly help you save time and effort, money and stress. If you are looking for free books then you really should consider finding to assist you try this. Several of Mercuriser Alpha One 3 0 Diagram are for sale to free while some are payable. If you arent sure if the books you would like to download works with for usage along with your computer, it is possible to download free trials. The free guides make it easy for someone to free access online library for download books to your device. You can get free download on free trial for lots of books categories. Our library is the biggest of these that have literally hundreds of thousands of different products categories represented. You will also see that there are specific sites catered to different product types or categories, brands or niches related with Mercuriser Alpha One 3 0 Diagram. So depending on what exactly you are searching, you will be able to choose e books to suit your own need. Need to access completely for Campbell Biology Seventh Edition book? Access Ebook without any digging. And by having access to our ebook online or by storing it on your computer, you have convenient answers with Mercuriser Alpha One 3 0 Diagram To get started finding Mercuriser Alpha One 3 0 Diagram, you are right to find our website which has a comprehensive collection of books online. Our library is the biggest of these that have literally hundreds of thousands of different products represented. You will also see that there are specific sites catered to different categories or niches related with Mercuriser Alpha One 3 0 Diagram So depending on what exactly you are searching, you will be able tochoose ebook to suit your own need. Thank you for reading Mercuriser Alpha One 3 0 Diagram. Maybe you have knowledge that, people have search numerous times for their favorite readings like this Mercuriser Alpha One 3 0 Diagram, but end up in harmful downloads. Rather than reading a good book with a cup of coffee in the afternoon, instead they juggled with some harmful bugs inside their laptop. Mercuriser Alpha One 3 0 Diagram is available in our book collection an online access to it is set as public so you can download it instantly. Our digital library spans in multiple locations, allowing you to get the most less latency time to download any of our books like this one. Merely said, Mercuriser Alpha One 3 0 Diagram is universally compatible with any devices to read.

Find Mercuriser Alpha One 3 0 Diagram :

2nd semester biology exam review answers

[novel study guide template](#)

[renault twingo mk1 manual](#)

[rainz the spanish helix](#)

[modern biology study guide answer key biochemistry](#)

[lodysseacutée du temps linteacutégrale](#)

naufage en mer de chine

iteration of rational functions x analyt

spanish lessons for 3rd grade

~~question on registered inspection mechanic written~~

personalized moon transit report

read ndima ma ch3

american offshore boat reviews

[france since the popular front 1936-1986](#)

~~xtreme paper 97nov 2012 1~~

Mercruiser Alpha One 3 0 Diagram :

I ha c breu dans votre poche book cyberlab sutd edu sg - Aug 05 2023

web sep 28 2023 I ha c breu dans votre poche pdf getting the books I ha c breu dans votre poche pdf now is not type of inspiring means you could not without help going as

I ha c breu de poche fkw law - Apr 20 2022

web oct 11 2023 I ha c breu de poche book review unveiling the power of words in some sort of driven by information and connectivity the power of words has be evident than

I hébreu dans votre poche editions larousse - Sep 06 2023

web notre synthèse critique de l ouvrage comment mettre un homme dans votre poche est structurée comme ceci une présentation brève de yann piette une mise en

I ha c breu dans votre poche pdf uniport edu - Apr 01 2023

web perception of this I ha c breu dans votre poche can be taken as well as picked to act il duello moser contro fignon una sfida leggendaria lorenzo fabiano 2017 08 07 10

I hébreu dans votre poche par larousse langues - Jan 18 2022

web dictionnaire historique critique chronologique géographique et littéral de la bible enrichi d un grand nombre de figures en taille douce qui representent les antiquitez

I ha c breu dans votre poche store spiralny - Oct 07 2023

web l aboutissement du monde sa raison d tre c est le temple l essence m me de la beaut sur terre permettant la relation entre dieu et l homme il interviendra lorsqu isra l

[l ha c breu de poche 2023 ead3 archivists](#) - Nov 27 2022

web jun 27 2023 l ha c breu dans votre poche 1 4 downloaded from uniport edu ng on june 27 2023 by guest l ha c breu dans votre poche as recognized adventure as

l ha c breu dans votre poche pdf 2023 blueskywildlife com - Jun 03 2023

web l ha c breu dans votre poche 2 4 downloaded from uniport edu ng on july 24 2023 by guest professore soprannomi che ritraggono due personalità di enorme caratura che

l ha c breu dans votre poche - Sep 25 2022

web 2 l ha c breu dans votre poche 2023 02 26 s appr tait sacrifier son fils yitzhak l o le roi salomon l difia conform ment au choix de david son p re lorsqu isra l fonctionne

[l ha c breu dans votre poche pdf blueskywildlife](#) - Jul 04 2023

web sep 4 2023 this l ha c breu dans votre poche pdf as one of the most energetic sellers here will totally be along with the best options to review latude ou trente cinq

[l ha c breu dans votre poche 2022 opendoors cityandguilds](#) - Dec 29 2022

web l ha c breu de poche l ha c breu de poche 2 downloaded from ead3 archivists org on 2022 12 28 by guest literature and culture wide ranging and fully referenced it can

[free l ha c breu dans votre poche](#) - Jan 30 2023

web l ha c breu dans votre poche bibliothèque sacrée ou dictionnaire universel historique dogmatique canonique géographique et chronologique des sciences ecclésiastiques

[l hébreu dans votre poche by collectif reserve lasd org](#) - Jul 24 2022

web l ha c breu dans votre poche 2 4 downloaded from uniport edu ng on march 15 2023 by guest of florida libraries bibliographie de la france formerly de l empire français ou

club h horezu à bucarest 2 expériences et 3 photos monnuage - Feb 16 2022

web mar 3 2016 l hébreu dans votre pochece petit compagnon vous aidera à acquérir ou à réviser l essentiel du vocabulaire hébreu grâce à son format très pratique vous pourrez

[l ha c breu dans votre poche pdf implantes odontocompany](#) - Dec 17 2021

web jun 7 2023 l ha c breu dans votre poche 1 4 downloaded from uniport edu ng on june 7 2023 by guest l ha c breu dans votre poche thank you for reading l ha c breu

l ha c breu de poche 2023 backoffice ceu social - Mar 20 2022

web club h est un restaurant installé sur un bateau sur le lac herastrau le lac est superbe a toute époque mais l avantage de l été c est que la végétation plus intense du parc

l ha c breu dans votre poche pdf uniport edu - Nov 15 2021

l ha c breu dans votre poche uniport edu - Jun 22 2022

web grâce à son format très pratique vous pourrez emporter partout les 1 000 mots et expressions les plus utiles de l hébreu classés selon 20 grandes thématiques touchant

l hebreu dans votre poche librairiedutemple fr - May 22 2022

web l ha c breu de poche l ha c breu de poche 2 downloaded from fkw law com on 2020 03 10 by guest grand dictionnaire francais italien compose sur les dictionnaires de

l ha c breu dans votre poche pdf uniport edu - Oct 27 2022

web computer l ha c breu dans votre poche is easy to use in our digital library an online access to it is set as public correspondingly you can download it instantly our digital

l ha c breu dans votre poche pdf uniport edu - May 02 2023

web l ha c breu dans votre poche 1 4 downloaded from uniport edu ng on july 16 2023 by guest l ha c breu dans votre poche getting the books l ha c breu dans votre poche

l ha c breu dans votre poche video paydayhcm - Aug 25 2022

web aug 21 2023 aluniv estrela d alva a canoa alada mergulhado no breu les a a a a c crits du peuple ha a a a c breu transmission long pocket traduction française

l ha c breu dans votre poche louis gabriel michaud paris - Feb 28 2023

web l ha c breu dans votre poche automated deduction cade 25 mar 10 2022 this book constitutes the proceedings of the 25th international conference on automated

robbins basic pathology 10th edition elsevier - Aug 14 2023

web mar 8 2017 description part of the trusted robbins and cotran family robbins basic pathology provides a readable well illustrated and concise overview of the principles of human pathology that s ideal for today s busy students

robbins cotran pathologic basis of disease 10th ed 2 - Jan 27 2022

web ebook isbn 9780323609937 readable and highly illustrated robbins and cotran pathologic basis of disease 10th edition presents an in depth state of the art overview of human diseases and their cellular and molecular basis

robbins basic pathology pdf free download latest edition - Feb 25 2022

web jan 8 2023 robbins basic pathology pdf is one of the finest books after harsh mohan for pathology during the second

year of mbbs we have provided the latest editions below through google drive links and free for download or reading update 10th edition as well as robbins and cotran pathological basis south asia edition are now available

robbins basic pathology vinay kumar abul k abbas nelson - May 31 2022

web may 24 2007 robbins basic pathology has helped countless students master the core concepts in pathology this 8th edition continues that tradition providing outstanding user friendly coverage of the

robbins basic pathology 9780323353175 us elsevier health - Apr 10 2023

web robbins basic pathology 10th edition editors vinay kumar abul k abbas jon c aster part of the trusted robbins and cotran family robbins basic pathology provides a readable well illustrated and concise overview of the principles of human pathology that s ideal for today s busy students

robbins basic pathology 10th international edition - Jul 13 2023

web robbins basic pathology international edition 10th edition part of the trusted robbins and cotran family robbins basic pathology provides a readable well illustrated and concise overview of the principles of human pathology that s ideal for today s busy students this thoroughly revised edition continues with a strong emphasis on

robbins basic pathology e book elsevier elibrary - Jan 07 2023

web description part of the trusted robbins and cotran family robbins basic pathology provides a readable well illustrated and concise overview of the principles of human pathology that s ideal for today s busy students

robbins temel patoloji 10 baskı guneskitabevi com - Jun 12 2023

web robbins patoloji ailesinin en önemli kitabı olan robbins temel patoloji günümüzün meşgul öğrencileri için ideal olan insan patolojisi ilkeleri hakkında kolay okunabilir iyi resimlendirilmiş ve özlü bir genel bakış sunar bu tamamı güncellenmiş yeni baskı patogeneze ve hastalığın klinik özelliklerine güçlü bir vurgu yapmaktadır

robbins basic pathology 10th international edition - Nov 05 2022

web robbins basic pathology 10th international edition part of the trusted robbins and cotran family robbins basic pathology provides a readable well illustrated and concise overview of the principles of human pathology that s ideal for today s busy students

robbins basic pathology 10th edition 9780323353175 elsevier - Feb 08 2023

web mar 28 2017 part of the trusted robbins and cotran family robbins basic pathology provides a readable well illustrated and concise overview of the principles of human pathology that s ideal for today s busy students

robbins basic pathology student consult robbins pathology - Mar 09 2023

web part of the trusted robbins and cotran family robbins basic pathology provides a readable well illustrated and concise overview of the principles of human pathology that s ideal for today s busy students

pdf robbins basic pathology 10th edition academia edu - Sep 15 2023

web robbins basic pathology 10th edition robbins basic pathology 10th edition sakeena batool see full pdf download pdf see full pdf download pdf related papers acute inflammation sarudi ajam sidiq

robbins kumar basic pathology edition 11 elsevier - May 11 2023

web robbins kumar basic pathology edition 11 edited by vinay kumar mbbs md frcpath abul k abbas mbbs jon c aster md phd and andrea t deyrup m d ph d publication date 15 dec 2022 digital format immediate access print format allow 10 14 days for delivery request description about the author table of contents book details

robbins cotran pathologic basis of disease 10th edition - Aug 02 2022

web may 11 2020 readable and highly illustrated robbins and cotran pathologic basis of disease 10th edition presents an in depth state of the art overview of human diseases and their cellular and molecular basis this best selling text delivers the latest most essential pathology knowledge in a readable interesting manner ensuring optimal understanding

book spotlight robbins basic pathology elsevier health - Oct 04 2022

web robbins basic pathology is a lighter manageable version of robbins and cotran pathologic basis of disease by the same editor team commonly known among med students as big robbins

robbins basic pathology google books - Mar 29 2022

web part of the trusted robbins and cotran family robbins basic pathology provides a readable well illustrated and concise overview of the principles of human pathology that s ideal for today s

robbins basic pathology e book google books - Apr 29 2022

web may 1 2012 robbins basic pathology delivers the pathology knowledge you need the way you need it from the name you can trust this medical textbook s unbeatable author team helps you efficiently master the core concepts you need to know for your courses and usmle exams get a rich understanding of all essential pathology concepts with expert

robbins kumar basic pathology 9780323790185 us - Dec 06 2022

web edited by jens waschke and friedrich paulsen jul 2023 21 99 add to cart readable well illustrated and concise robbins and kumar s basic pathology 11th edition offers today s busy students a rich understanding of all essential pathology concepts from trusted names in the field this updated edition thoroughly covers key pathologic

robbins basic pathology robbins basic pathology e book - Jul 01 2022

web mar 8 2017 part of the trusted robbins and cotranfamily robbins basic pathologyprovides a readable well illustrated and concise overview of the principles of human pathology that s ideal for today s

robbins pathology elsevier - Sep 03 2022

web robbins pathology get the pathology knowledge you need the way you need it from the name you can trust robbins and

cotran pathology has helped countless students master the core concepts in pathology solutions scopus sciencedirect
mendeley evolve knovel reaxys clinicalkey researchers submit your paper find books journals
insegnare il minibasket dall emozione al gioco da alistair - Nov 13 2021

insegnare il minibasket dall emozione al gioco da book - Jun 01 2023

web insegnare il minibasket dall emozione al gioco da orality and literacy in modern italian culture nov 29 2021 in our highly literate culture orality is all pervasive different kinds

insegnare il minibasket dall emozione al gioco da 2022 - Mar 18 2022

web insegnare il minibasket dall emozione al gioco dalle prime conoscenze alla competenze weightlifting sport for all sports practice to beat the best a basketball drills collection

insegnare il minibasket dall emozione al gioco da 2022 - Feb 14 2022

web insegnare il minibasket dall emozione al gioco da downloaded from protese odontocompany com by guest uriel dillon heads up baseball legare street

insegnare il minibasket dall emozione al gioco dalle prime - Oct 05 2023

web scopri insegnare il minibasket dall emozione al gioco dalle prime conoscenze alla competenze ediz illustrata 1 di cremonini maurizio bortolussi lucio regis roberta

insegnare il minibasket dall emozione al gioco da pdf - Jan 16 2022

web feb 29 2020 infatti il minibasket è uno sport completo che aiuta i bambini a crescere e sviluppare eccellenti capacità motorie oltre a capire l importanza delle regole sociali e del

orangogo il minibasket sport per bambini - Aug 23 2022

web storia il minibasket fu ideato nel 1950 dal professor jay archer insegnante di educazione fisica di chanton e laureato in scienze dell educazione fisica all università di

insegnare il minibasket dall emozione al gioco da pdf - Apr 18 2022

web 2 insegnare il minibasket dall emozione al gioco da 2022 04 06 all it was a pioneering work in cognitive behavior therapy presenting a powerful brief and effective

insegnare il minibasket dall emozione al gioco dalle prime - Sep 04 2023

web insegnare il minibasket dall emozione al gioco dalle prime conoscenze alla competenze è un libro di maurizio cremonini lucio bortolussi roberta regis pubblicato da calzetti

insegnare il minibasket dall emozione al gioco dalle - Jul 02 2023

web l insegnamento qui proposto dunque postula il superamento di una didattica imperniata su stimolo risposta orientando l

apprendimento di conoscenze e abilità per puntare a

insegnare il minibasket dall emozione al gioco da download only - May 20 2022

web aggiornarsi e catalogare appunti e allenamenti del passato ed una riflessione sul lavoro di una vita dedicata alla pallacanestro e un bisogno di dare qualcosa di teorico pratico a

insegnare il minibasket dall emozione al gioco da copy - Aug 03 2023

web insegnare il minibasket dall emozione al gioco da cogli l attimo giochi per esprimere e trasformare le emozioni in versi
jun 18 2022 no non vengo se no tu mi convinci a

pallacanestro e minibasket per bambini mamma sto bene - Dec 15 2021

web subsequent to this one merely said the insegnare il minibasket dall emozione al gioco da is universally compatible taking into account any devices to read how to raise an

minibasket wikipedia - Jul 22 2022

web insegnare il minibasket dall emozione al gioco da is nearby in our digital library an online right of entry to it is set as public so you can download it instantly

insegnare il minibasket dall emozione al gioco dalle prime - Apr 30 2023

web insegnare il minibasket dall emozione al gioco dalle prime conoscenze alla competenze ediz illustrata cremonini maurizio bortolussi lucio regis roberta

insegnare il minibasket dall emozione al gioco dalle prime - Mar 30 2023

web acquista online il libro insegnare il minibasket dall emozione al gioco dalle prime conoscenze alla competenze ediz illustrata di maurizio cremonini lucio bortolussi

insegnare il minibasket dall emozione al gioco dalle prime - Nov 25 2022

web data di pubblicazione 29 gennaio 2016 ean 9788860284624 isbn 8860284627 pagine 391 formato brossura argomenti gruppi sociali in base all età bambini acquistabile

insegnare il minibasket dall emozione al gioco dalle prime - Oct 25 2022

web insegnare il minibasket dall emozione al gioco dalle prime conoscenze alla competenze ediz illustrata 1 basket collection cremonini maurizio bortolussi

insegnare il minibasket dall emozione al gioco dalle prime - Jan 28 2023

web compre online insegnare il minibasket dall emozione al gioco dalle prime conoscenze alla competenze ediz illustrata de cremonini maurizio bortolussi lucio regis

insegnare il minibasket dall emozione al gioco da antonio urso - Jun 20 2022

web parte è una raccolta di esercizi e giochi divisi per argomento e facili da comprendere con spazi idee proposte personali

per far riflettere il lettore la terza parte consiste in un

insegnare il minibasket dall emozione al gioco dalle prime - Sep 23 2022

web dec 4 2018 orangogo utenti 04 dicembre 2018 grazie a questa mini guida scoprirai cos è il minibasket dall età per il quale è indicato al come si svolge un allenamento in

insegnare il minibasket dall emozione al gioco dalle prime - Feb 26 2023

web dall emozione al gioco dalle prime conoscenze alla maurizio cremonini lucio bortolussi roberta regis google books

insegnare il minibasket dall emozione al

insegnare il minibasket dall emozione al gioco dalle - Dec 27 2022

web dec 24 2015 insegnare il minibasket dall emozione al gioco dalle prime conoscenze alle competenze è un manuale di 392 pagine calzetti mariucci editori