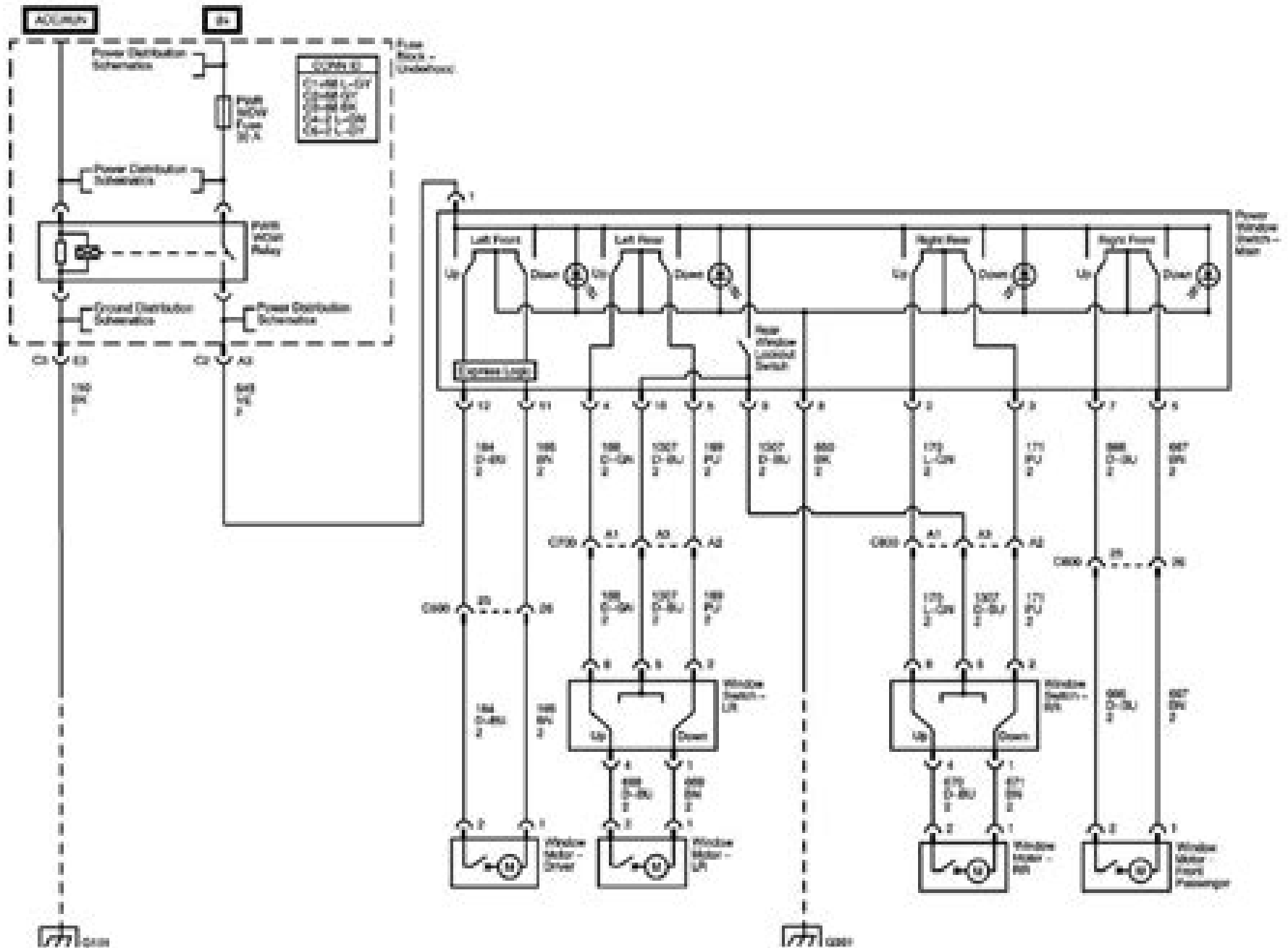


Power Window Schematics



00 Chevy Express Ignition Wiring Diagram

M Woodhall



00 Chevy Express Ignition Wiring Diagram:

Popular Science ,1976-09 Popular Science gives our readers the information and tools to improve their technology and their world The core belief that Popular Science and our readers share The future is going to be better and science and technology are the driving forces that will help make it better Popular Mechanics ,1977-05 Popular Mechanics inspires instructs and influences readers to help them master the modern world Whether it s practical DIY home improvement tips gadgets and digital technology information on the newest cars or the latest breakthroughs in science PM is the ultimate guide to our high tech lifestyle Popular Science ,1977-05 Popular Science gives our readers the information and tools to improve their technology and their world The core belief that Popular Science and our readers share The future is going to be better and science and technology are the driving forces that will help make it better **Truck and Van Manual, 1991-1995** Chilton Automotive Books,The Nichols/Chilton,Chilton,(Chilton) Chilton,1994 Documents specifications repairs and servicing procedures for individual models and provides information on component repair and overhaul *Popular Science* ,1977-02 Popular Science gives our readers the information and tools to improve their technology and their world The core belief that Popular Science and our readers share The future is going to be better and science and technology are the driving forces that will help make it better *Popular Mechanics* ,1976-11 Popular Mechanics inspires instructs and influences readers to help them master the modern world Whether it s practical DIY home improvement tips gadgets and digital technology information on the newest cars or the latest breakthroughs in science PM is the ultimate guide to our high tech lifestyle *Popular Mechanics* ,1977-02 Popular Mechanics inspires instructs and influences readers to help them master the modern world Whether it s practical DIY home improvement tips gadgets and digital technology information on the newest cars or the latest breakthroughs in science PM is the ultimate guide to our high tech lifestyle Popular Science ,1977-03 Popular Science gives our readers the information and tools to improve their technology and their world The core belief that Popular Science and our readers share The future is going to be better and science and technology are the driving forces that will help make it better *Popular Mechanics* ,1976-09 Popular Mechanics inspires instructs and influences readers to help them master the modern world Whether it s practical DIY home improvement tips gadgets and digital technology information on the newest cars or the latest breakthroughs in science PM is the ultimate guide to our high tech lifestyle **Popular Science** ,1977-04 Popular Science gives our readers the information and tools to improve their technology and their world The core belief that Popular Science and our readers share The future is going to be better and science and technology are the driving forces that will help make it better **Chevy/GMC Full Size Vans, 1987-90** Chilton Book Company,1990 Covers all U S and Canadian models of Chevrolet GMC 1 2 3 4 1 ton vans cut aways and motorhome chassis **Popular Science** ,1976-12 Popular Science gives our readers the information and tools to improve their technology and their world The core belief that Popular Science and our readers share The future is going to be better and

science and technology are the driving forces that will help make it better **Chilton's Truck Repair Manual** Chilton
Book Company. Automotive Editorial Department,1974 **Cars & Parts** ,1992 **Popular Science** ,1977 Sports Cars
Illustrated ,1977 Road and Track ,1982 Directions ,1980 Motor Trend ,1985-07 Model "A" News ,1972

This is likewise one of the factors by obtaining the soft documents of this **00 Chevy Express Ignition Wiring Diagram** by online. You might not require more epoch to spend to go to the books foundation as competently as search for them. In some cases, you likewise pull off not discover the pronouncement 00 Chevy Express Ignition Wiring Diagram that you are looking for. It will agreed squander the time.

However below, afterward you visit this web page, it will be as a result entirely easy to get as capably as download lead 00 Chevy Express Ignition Wiring Diagram

It will not take many times as we notify before. You can reach it though bill something else at home and even in your workplace. suitably easy! So, are you question? Just exercise just what we present below as skillfully as evaluation **00 Chevy Express Ignition Wiring Diagram** what you gone to read!

<https://auld.rmjm.com/book/browse/index.jsp/The%20Hyperosmolar%20Airway%20Mechanisms%20Of%20Reduced%20Response%20To%20Nitric%20Oxide.pdf>

Table of Contents 00 Chevy Express Ignition Wiring Diagram

1. Understanding the eBook 00 Chevy Express Ignition Wiring Diagram
 - The Rise of Digital Reading 00 Chevy Express Ignition Wiring Diagram
 - Advantages of eBooks Over Traditional Books
2. Identifying 00 Chevy Express Ignition Wiring Diagram
 - Exploring Different Genres
 - Considering Fiction vs. Non-Fiction
 - Determining Your Reading Goals
3. Choosing the Right eBook Platform
 - Popular eBook Platforms
 - Features to Look for in an 00 Chevy Express Ignition Wiring Diagram
 - User-Friendly Interface

4. Exploring eBook Recommendations from 00 Chevy Express Ignition Wiring Diagram
 - Personalized Recommendations
 - 00 Chevy Express Ignition Wiring Diagram User Reviews and Ratings
 - 00 Chevy Express Ignition Wiring Diagram and Bestseller Lists
5. Accessing 00 Chevy Express Ignition Wiring Diagram Free and Paid eBooks
 - 00 Chevy Express Ignition Wiring Diagram Public Domain eBooks
 - 00 Chevy Express Ignition Wiring Diagram eBook Subscription Services
 - 00 Chevy Express Ignition Wiring Diagram Budget-Friendly Options
6. Navigating 00 Chevy Express Ignition Wiring Diagram eBook Formats
 - ePub, PDF, MOBI, and More
 - 00 Chevy Express Ignition Wiring Diagram Compatibility with Devices
 - 00 Chevy Express Ignition Wiring Diagram Enhanced eBook Features
7. Enhancing Your Reading Experience
 - Adjustable Fonts and Text Sizes of 00 Chevy Express Ignition Wiring Diagram
 - Highlighting and Note-Taking 00 Chevy Express Ignition Wiring Diagram
 - Interactive Elements 00 Chevy Express Ignition Wiring Diagram
8. Staying Engaged with 00 Chevy Express Ignition Wiring Diagram
 - Joining Online Reading Communities
 - Participating in Virtual Book Clubs
 - Following Authors and Publishers 00 Chevy Express Ignition Wiring Diagram
9. Balancing eBooks and Physical Books 00 Chevy Express Ignition Wiring Diagram
 - Benefits of a Digital Library
 - Creating a Diverse Reading Collection 00 Chevy Express Ignition Wiring Diagram
10. Overcoming Reading Challenges
 - Dealing with Digital Eye Strain
 - Minimizing Distractions
 - Managing Screen Time
11. Cultivating a Reading Routine 00 Chevy Express Ignition Wiring Diagram
 - Setting Reading Goals 00 Chevy Express Ignition Wiring Diagram
 - Carving Out Dedicated Reading Time

-
12. Sourcing Reliable Information of 00 Chevy Express Ignition Wiring Diagram
 - Fact-Checking eBook Content of 00 Chevy Express Ignition Wiring Diagram
 - Distinguishing Credible Sources
 13. Promoting Lifelong Learning
 - Utilizing eBooks for Skill Development
 - Exploring Educational eBooks
 14. Embracing eBook Trends
 - Integration of Multimedia Elements
 - Interactive and Gamified eBooks

00 Chevy Express Ignition Wiring Diagram Introduction

00 Chevy Express Ignition Wiring Diagram Offers over 60,000 free eBooks, including many classics that are in the public domain. Open Library: Provides access to over 1 million free eBooks, including classic literature and contemporary works. 00 Chevy Express Ignition Wiring Diagram Offers a vast collection of books, some of which are available for free as PDF downloads, particularly older books in the public domain. 00 Chevy Express Ignition Wiring Diagram : This website hosts a vast collection of scientific articles, books, and textbooks. While it operates in a legal gray area due to copyright issues, its a popular resource for finding various publications. Internet Archive for 00 Chevy Express Ignition Wiring Diagram : Has an extensive collection of digital content, including books, articles, videos, and more. It has a massive library of free downloadable books. Free-eBooks 00 Chevy Express Ignition Wiring Diagram Offers a diverse range of free eBooks across various genres. 00 Chevy Express Ignition Wiring Diagram Focuses mainly on educational books, textbooks, and business books. It offers free PDF downloads for educational purposes. 00 Chevy Express Ignition Wiring Diagram Provides a large selection of free eBooks in different genres, which are available for download in various formats, including PDF. Finding specific 00 Chevy Express Ignition Wiring Diagram, especially related to 00 Chevy Express Ignition Wiring Diagram, might be challenging as theyre often artistic creations rather than practical blueprints. However, you can explore the following steps to search for or create your own Online Searches: Look for websites, forums, or blogs dedicated to 00 Chevy Express Ignition Wiring Diagram, Sometimes enthusiasts share their designs or concepts in PDF format. Books and Magazines Some 00 Chevy Express Ignition Wiring Diagram books or magazines might include. Look for these in online stores or libraries. Remember that while 00 Chevy Express Ignition Wiring Diagram, sharing copyrighted material without permission is not legal. Always ensure youre either creating your own or obtaining them from legitimate sources that allow sharing and downloading. Library Check if your local library offers eBook lending services. Many libraries have digital catalogs where you can borrow

00 Chevy Express Ignition Wiring Diagram eBooks for free, including popular titles. Online Retailers: Websites like Amazon, Google Books, or Apple Books often sell eBooks. Sometimes, authors or publishers offer promotions or free periods for certain books. Authors Website Occasionally, authors provide excerpts or short stories for free on their websites. While this might not be the 00 Chevy Express Ignition Wiring Diagram full book, it can give you a taste of the authors writing style. Subscription Services Platforms like Kindle Unlimited or Scribd offer subscription-based access to a wide range of 00 Chevy Express Ignition Wiring Diagram eBooks, including some popular titles.

FAQs About 00 Chevy Express Ignition Wiring Diagram Books

How do I know which eBook platform is the best for me? Finding the best eBook platform depends on your reading preferences and device compatibility. Research different platforms, read user reviews, and explore their features before making a choice. Are free eBooks of good quality? Yes, many reputable platforms offer high-quality free eBooks, including classics and public domain works. However, make sure to verify the source to ensure the eBook credibility. Can I read eBooks without an eReader? Absolutely! Most eBook platforms offer webbased readers or mobile apps that allow you to read eBooks on your computer, tablet, or smartphone. How do I avoid digital eye strain while reading eBooks? To prevent digital eye strain, take regular breaks, adjust the font size and background color, and ensure proper lighting while reading eBooks. What the advantage of interactive eBooks? Interactive eBooks incorporate multimedia elements, quizzes, and activities, enhancing the reader engagement and providing a more immersive learning experience. 00 Chevy Express Ignition Wiring Diagram is one of the best book in our library for free trial. We provide copy of 00 Chevy Express Ignition Wiring Diagram in digital format, so the resources that you find are reliable. There are also many Ebooks of related with 00 Chevy Express Ignition Wiring Diagram. Where to download 00 Chevy Express Ignition Wiring Diagram online for free? Are you looking for 00 Chevy Express Ignition Wiring Diagram PDF? This is definitely going to save you time and cash in something you should think about. If you trying to find then search around for online. Without a doubt there are numerous these available and many of them have the freedom. However without doubt you receive whatever you purchase. An alternate way to get ideas is always to check another 00 Chevy Express Ignition Wiring Diagram. This method for see exactly what may be included and adopt these ideas to your book. This site will almost certainly help you save time and effort, money and stress. If you are looking for free books then you really should consider finding to assist you try this. Several of 00 Chevy Express Ignition Wiring Diagram are for sale to free while some are payable. If you arent sure if the books you would like to download works with for usage along with your computer, it is possible to download free trials. The free guides make it easy for someone to free access online library for download books to your device. You can get free download on free trial for lots of books

categories. Our library is the biggest of these that have literally hundreds of thousands of different products categories represented. You will also see that there are specific sites catered to different product types or categories, brands or niches related with 00 Chevy Express Ignition Wiring Diagram. So depending on what exactly you are searching, you will be able to choose e books to suit your own need. Need to access completely for Campbell Biology Seventh Edition book? Access Ebook without any digging. And by having access to our ebook online or by storing it on your computer, you have convenient answers with 00 Chevy Express Ignition Wiring Diagram To get started finding 00 Chevy Express Ignition Wiring Diagram, you are right to find our website which has a comprehensive collection of books online. Our library is the biggest of these that have literally hundreds of thousands of different products represented. You will also see that there are specific sites catered to different categories or niches related with 00 Chevy Express Ignition Wiring Diagram So depending on what exactly you are searching, you will be able to choose ebook to suit your own need. Thank you for reading 00 Chevy Express Ignition Wiring Diagram. Maybe you have knowledge that, people have search numerous times for their favorite readings like this 00 Chevy Express Ignition Wiring Diagram, but end up in harmful downloads. Rather than reading a good book with a cup of coffee in the afternoon, instead they juggled with some harmful bugs inside their laptop. 00 Chevy Express Ignition Wiring Diagram is available in our book collection an online access to it is set as public so you can download it instantly. Our digital library spans in multiple locations, allowing you to get the most less latency time to download any of our books like this one. Merely said, 00 Chevy Express Ignition Wiring Diagram is universally compatible with any devices to read.

Find 00 Chevy Express Ignition Wiring Diagram :

[the hyperosmolar airway mechanisms of reduced response to nitric oxide](#)

[the idiot clabic fiction](#)

the inquisition a critical and historical study of the coercive power of the church

[the hunt for han solo](#)

the insiders pocket guide to horse racing

the instruction for johan printz governor of new sweden

the inner voice

[the inner circle and other mysteries mystery collection](#)

the hummel tr from ger

~~the illustrated life and times of billy the kid~~

the international foundation directory 1996 international foundation

[the inspiration and authority of holy scripture](#)

[the income tax map 2003-2004 edition](#)

[the incredible hulk and the thing](#)

[the impressionist printmaker](#)

00 Chevy Express Ignition Wiring Diagram :

arpeggios for bass guitar a guide to creating and playing them - Mar 11 2023

web nov 15 2022 what is a bass guitar arpeggio bass arpeggios are a series of notes that are played in succession the most common type of arpeggio is the triad which consists of three notes played in quick succession bass guitarists often use arpeggios to create a sense of movement in their playing

arpeggios for bass guitar free bass lesson and tab talkingbass - Jul 15 2023

web feb 6 2021 an arpeggio is a chord played one note at a time and the basic chords like triads or seventh chords are built by stacking thirds to find out more about chord construction and this stacking of thirds check out these lessons triads seventh chords

bass scales chords arpeggios gc pdf minor scale mode - Jun 14 2023

web a good knowledge of scales and arpeggios can help you to compose and improvise original and exciting bass lines playing scales and arpeggios as part of a regular practice routine can also develop finger dexterity and general playing technique the scales chords and arpeggios in this book are presented in diagram form

bass guitar music theory the 7 arpeggios from c major - Jan 09 2023

web an arpeggio is when you play the 1st 3rd and 5th notes of that scale one by one you can keep that pattern going in an arpeggio 1 3 5 7 that s what we ll do here seventh arpeggios since the major scale has 7 notes that is 7 different arpeggios you can get in the major scale

bass guitar scales chords arpeggios pdf download book - Aug 16 2023

web bass guitar scales chords and arpeggios features a wide range of common and exotic scales including blues pentatonic major minor modal phrygian dominant diminished and many others all the bass guitar scales in the book are presented as movable diagrams allowing you to play all over the neck

scales arpeggios lessons talkingbass - Sep 05 2022

web scales arpeggios in these lessons we take a look at two areas of bass playing i m sure you re all keen to understand scales and arpeggios we ve got lessons on everything from the major scale and the basic major triad all the way through to melodic minor modes and altered 13th chord arpeggios

seventh chord arpeggios for bass the ultimate guide - Apr 12 2023

web aug 14 2020 the three most common non tertian seventh chords are as follows dominant 7 sharp 5 dominant 7 flat 5 diminished major 7 of these three chords the dominant 7 sharp 5 is by far the most common and often referred to as the augmented 7 chord the arpeggio for each chord is listed below on a root note of c

[bass arpeggio basics avcss guitar world](#) - Jan 29 2022

web sep 9 2023 learning arpeggio s from chords will allow your skill level and knowledge of the fretboard to increase at the highest level take the time to learn and study the notes in these arpeggios and play them over chord progressions to increase your improving skills

[scales and arpeggios tabs songsterr tabs with rhythm](#) - Jun 02 2022

web aug 22 2023 scales and arpeggios tabs with free online tab player one accurate tab per song huge selection of 800 000 tabs no abusive ads

[a major scale and arpeggio bass tabs bass lessons](#) - Jul 03 2022

web bass tablature for a major scale and arpeggio by bass lessons rated 5 0 out of 5 by 22 users

[bass scales chords arpeggios book by guitar command](#) - May 13 2023

web bass scales chords arpeggios is the all in one reference book for bass guitarists it contains a huge amount of information to help you learn and master the fingerboard find out more below amazon reviews this book is awesome i would recommend this book for the beginner or the old pro add this to your library and keep on rockin

lessons to learn all about bass scales and arpeggios how 2 play bass - Oct 06 2022

web the best way to discover practice and master all the melodic tools necessary for bass playing with the help of these courses which include musical scores tabs and fretboard diagrams you will get to know the scales and arpeggios that are necessary for learning the language of the bass and will be able to practice it by playing along with backing tracks

[bass scales reference all bass guitar scales tab notation](#) - Dec 08 2022

web want to learn more bass scales plus arpeggios and chords check out our downloadable reference book bass scales chords arpeggios practice playing and improvising with bass scales with our specially produced bass backing tracks bass scales backing tracks bass modes backing tracks

d scales and arpeggios very much correct bass tabs bass - Mar 31 2022

web d scales and arpeggios very much correct bass tabs 4 9 5 11 x rate this tab add to favs bass lessons d scales and arpeggios very much correct bass tab d

[seventh chord arpeggios for bass the ultimate guide](#) - Aug 04 2022

web the chord tone essentials course is a huge deep dive into every area of chord construction arpeggios and chord tone use in bass lines fills and solos

[bass tab scales arpeggios and modes for the bass guitar](#) - Dec 28 2021

web bass tab scales arpeggios and modes exercises in the key of c with fingerings for bass guitar the following exercises outline the modes in the key of c and the related scales and arpeggios over 2 octaves ex 1 see more bass tab examples watch the bass tab video lessons mar 16 2011 at 2 24 pm

[the 5 easy arpeggios for beginner bass guitar players yt123](#) - Feb 27 2022

web in this week s bass guitar lesson i m going to show you the 5 easy arpeggios for beginner bass guitar players the simple definition of an arpeggio is a broken chord covered in this lesson are 5 of the most common chord and

bass scales chords and arpeggios amazon com - May 01 2022

web may 11 2014 bass scales chords arpeggios is a comprehensive reference book for all bass guitarists containing a huge amount of bass guitar information this book gives you the tools you need to master the fretboard all scales chords and arpeggios are presented in diagram form

[bass arpeggios 6 exercises for hand strength and dexterity](#) - Nov 07 2022

web aug 30 2020 bass arpeggios are a great resource for both practicing finger exercises as well as learning the fundamental components of chords every practice routine should include some kind of incorporation of finger exercise both for developing dexterity and finger independence as well as understanding chords from a fundamental perspective and

[beginner bass lesson scale triad arpeggio chord](#) - Feb 10 2023

web this video shows you how to use scales triads arpeggios and chords on the bass guitar theory can be an impenetrable subject but i want to show you how you can use it to unlock your creativity and play awesome bass there are more lessons here basic music theory for bass players watch on c major scale c major triad c major arpeggio

geschäftskultur arabische golfstaaten kompakt wie sie mit - Sep 04 2022

web im golfarabischen raum werden meetings mit ausländischen geschäftspartnern meist auf englisch geführt sprechen ihre golfarabischen gastgeber nicht ausreichend englisch

geschäftskultur arabische golfstaaten kompakt wie sie mit - Mar 10 2023

web geschäftskultur arabische golfstaaten kompakt wie sie mit golfarabischen geschäftspartnern kollegen und mitarbeitern erfolgreich zusammenarbeiten ebook

geschäftskultur arabische golfstaaten kompakt wie sie mit - Jul 14 2023

web geschäftskultur arabische golfstaaten kompakt bezieht sich auf die länder bahrain katar kuwait oman saudi arabien und vereinigte arabische emirate die ratgeber

geschäftskultur arabische golfstaaten kompakt wie sie mit - Nov 25 2021

geschäftskultur arabische golfstaaten kompakt wie sie mit - Jul 02 2022

web status und prestige spielen in den meisten arabischen golfstaaten eine bedeutsame rolle daher sollten ihre präsentationsmaterialien hochwertig und attraktiv gestaltet sein

geschäftskultur arabische golfstaaten kompakt overdrive - Dec 07 2022

web sep 1 2015 die kulturellen unterschiede zwischen dem deutschsprachigen raum und den arabischen golfstaaten könnten größer nicht sein aber sie lassen sich mit etwas know

geschafstkultur arabische golfstaaten kompakt wie pdf sql - Dec 27 2021

web ausführliche nachricht von dem leben und charakter des doctor samuel pomarius eines in der letzten hälfte des vorigen jahrhunderts berühmt gewesenen gottesgelehrten

geschäftskultur arabische golfstaaten kompakt wie sie mit - Jun 13 2023

web dec 15 2014 geschäftskultur arabische golfstaaten kompakt bezieht sich auf die länder bahrain katar kuwait oman saudi arabien und vereinigte arabische

geschäftskultur arabische golfstaaten kompakt conbook verlag - May 12 2023

web geschäftskultur arabische golfstaaten kompakt bezieht sich auf die länder bahrain katar kuwait oman saudi arabien und vereinigte arabische emirate die ratgeber

präsentationen in den arabischen golfstaaten crossculture - Jun 01 2022

web february 28th 2019 geschäftskultur arabische golfstaaten kompakt wie sie mit golfarabischen geschäftspartnern kollegen und mitarbeitern erfolgreich

geschäftskultur arabische golfstaaten kompakt wie sie mit - Jan 28 2022

web 4 geschäftskultur arabische golfstaaten kompakt wie 2022 03 18 teaching abby penguin this valentine s day her perfect match might be the one man who s off

seminar geschäftskultur kompakt arabische golfstaaten tae - Apr 11 2023

web sie erfahren wie sie produkte und leistungen in den arabischen golfstaaten erfolgreich präsentieren sie lernen die besonderheiten des golfarabischen kommunikationsstils

geschäftskultur arabische golfstaaten kompakt wie sie mit - Oct 05 2022

web geschäftskultur arabische golfstaaten kompakt wie sie mit golfarabischen geschäftspartnern kollegen und mitarbeitern erfolgreich zusammenarbeiten von matar

meetings in den arabischen golfstaaten crossculture academy - Aug 03 2022

web geschäftskultur arabische golfstaaten kompakt table of contents 13p counting pages click to pause recent place just now no previous place read from here

geschäftskultur arabische golfstaaten kompakt wie sie mit - Aug 15 2023

web geschäftskultur arabische golfstaaten kompakt wie sie mit golfarabischen geschäftspartnern kollegen und mitarbeitern erfolgreich zusammenarbeiten matar

geschäftskultur arabische golfstaaten kompakt wie - Mar 30 2022

web geschäftskultur arabische golfstaaten kompakt wie pdf pages 2 12 geschäftskultur arabische golfstaaten kompakt wie pdf upload dona d paterson 2 12 downloaded

geschäftskultur arabische golfstaaten kompakt wie - Feb 09 2023

web buy geschäftskultur arabische golfstaaten kompakt wie sie mit golfarabischen geschäftspartnern kollegen und mitarbeitern erfolgreich zusammenarbeiten by online

geschäftskultur arabische golfstaaten kompakt wie sie mit - Apr 30 2022

web geschäftskultur arabische golfstaaten kompakt wie 1 in some cases you likewise get not discover the publication geschäftskultur arabische golfstaaten kompakt wie

geschäftskultur arabische golfstaaten kompakt wie sie mit - Jan 08 2023

web dec 15 2014 geschäftskultur arabische golfstaaten kompakt bezieht sich auf die länder bahrain katar kuwait oman saudi arabien und vereinigte arabische

geschäftskultur arabische golfstaaten kompakt arche liestal - Nov 06 2022

web lese geschäftskultur arabische golfstaaten kompakt wie sie mit golfarabischen geschäftspartnern kollegen und mitarbeitern erfolgreich zusammenarbeiten gratis von

geschäftskultur arabische golfstaaten kompakt wie pdf pdf - Feb 26 2022

web aristoteles in der quantenwelt eine untersuchung über die anwendbarkeit des aristotelischen substanzbegriffes auf die quantenobjekte philosophie und geschichte

pdf ee8401 electrical machines easyengineering - Mar 06 2022

web download link is provided and students can download the anna university ee8401 electrical machines ii em ii syllabus question bank lecture notes part a 2 marks with answers part b 13 marks and part c 15 marks question bank with answer all the materials are listed below for the students to make use of it and score good maximum

ee8301 electrical machines i syllabus notes question banks - Jan 16 2023

web jul 7 2018 click below link to download electrical machines i syllabus notes question papers question banks 2 marks with answers part b questions with answers download ee8301 notes 1 link download click here ee8301 notes 2 link download click here ee8301 question bank download click here

pdf ee6401 electrical machines easyengineering - May 08 2022

web jan 27 2018 download link is provided and students can download the anna university ee6401 electrical machines i em i syllabus question bank lecture notes syllabus part a 2 marks with answers part b 16 marks question bank with answer all the materials are listed below for the students to make use of it and score good maximum marks with

ee8401 em ii question bank electrical machines studocu - Jun 09 2022

web kalasalingam institute of technology anand nagar krishnankoil 626 126 course name code electrical machine ii ee degree branch b eee semester section course instructor name department ms a devi ap eee unit wise important questions unit i synchronous generator

electrical machines i all units question bank 2012 - Feb 05 2022

web labels 4th semester question bank electrical machines electrical machines i electrical machines i qb semester 4 4 comments unknow 18 april 2020 at 08 44 when you use a genuine service you will be able to provide instructions share materials and choose the formatting style shanghai automation

question bank mcet - Jul 22 2023

web 16eit31 electrical machines and measurements question bank 2 marks unit 1 1 why a dc series motor cannot be started on no load 2 what is back emf explain the significance of a back emf 3 enumerate the factors on which the speed of a dc motor depends 4 list the different types of losses in d c machine 5 what is the need for

ee8301 question bank electrical machines 1 regulation 2017 - Nov 14 2022

web jul 19 2018 sample ee8301 question bank electrical machines 1 questions from questions paper 1 mention the difference between core and shell type transformers 2 what is the purpose of laminating the core in a transformers 3 give the emf equation of a transformer and define each term ee8301 question bank electrical machines 1 4

electrical machine ii question bank ee 5203 studocu - Sep 12 2022

web electrical machine ii question bank university birla institute of technology mesra course electrical machines ii ee 5203 3 documents students shared 3 documents in this course academic year 2017 2018 nm uploaded bynadia mohamed kunhi helpful 00 report document comments please sign inor registerto post comments

electrical machines i question bank pdf electric generator - May 20 2023

web objective electrical machines course in one of the important courses of the electrical discipline in this course the different types of dc generators and motors which are widely used in industry are covered and their performance aspects will be or studied group i short answer type questions blooms course s no question

question bank descriptive sietk - Dec 15 2022

web electrical machines i page 1 siddharth institute of engineering technology puttur autonomous siddharth nagar narayanavanam road 517583 question bank descriptive subject with code electrical machines ii 19ee0208 course branch b

tech eee regulation r19 year sem ii b tech i

[electrical machines mcq free pdf objective question](#) - Apr 07 2022

web jul 23 2023 electrical machines question 1 different starting methods of three phase synchronous motors by using an induction pony motor by using a dc machine source by using damper windings all of the above answer detailed solution below option 4 all of the above india s super teachers for all govt exams under one roof

electrical machines question bank sanfoundry - Sep 24 2023

web this set of electrical machines question bank focuses on operating characteristics of alternators and their ratings 1 a 315v 3 phase 400 mva alternator is running at no load at constant excitations

[question bank electrical machines notes studocu](#) - Jul 10 2022

web homeai questions ask a new my library question bank electrical machines notes electrical machines notes university anna university course electrical machines em4001 91 documents students shared 91 documents in this course academic year 2017 2018 uploaded by dr gowri sankar helpful 00 report document comments

[question bank electrical machine pdf slideshare](#) - Aug 11 2022

web mar 16 2020 similar to question bank electrical machine ee6601 solid state drives rmk cetee 422 views 7 slides 158785395916eng04031 machines 3 pdf zineddinebou 13 views 22 slides

[pdf electrical machines i em i ee8301 notes question](#) - Aug 23 2023

web dec 8 2022 anna university mcq q a notes question bank question paper for electrical machines i em i ee8301 em 1 semester exams

[electrical machines i 18ee0204 regulation r18 b tech year](#) - Mar 18 2023

web question bank descriptive subject with code electrical machines i 18ee0204 regulation r18 course branch b tech eee year sem ii b tech i sem

[electrical machines i question bank potti sriramulu](#) - Oct 13 2022

web electrical machines i question bank unit i 1 show that the field energy in a linear magnetic system can be given as 2 a why most practical energy conversion devices use magnetic field as the coupling medium between electrical and mechanical systems b state the electromagnetic phenomena useful for the electromagnetic energy

[electrical machines i question bank pdf transformer scribd](#) - Apr 19 2023

web branch electrical electronics engineering regulation pvp20 course b tech subject electrical machines i subject code 20ee3303 year and semester ii year i sem question bank unit i q question co level no 1 relate the concept of field energy and co energy in the linear case co2 l3

[electrical machines mcq multiple choice questions](#) - Feb 17 2023

web our 1000 electrical machines mcqs multiple choice questions and answers focuses on all chapters of electrical machines covering 100 topics you should practice these mcqs for 1 hour daily for 2 3 months

[electrical machines i ee8301 ee6401 brainkart](#) - Jun 21 2023

web question bank download android app for anna university book download android app for anna university pdf electrical machines i magnetic circuits and magnetic materials transformers electromechanical energy conversion and concepts in rotating machines dc generators dc motors