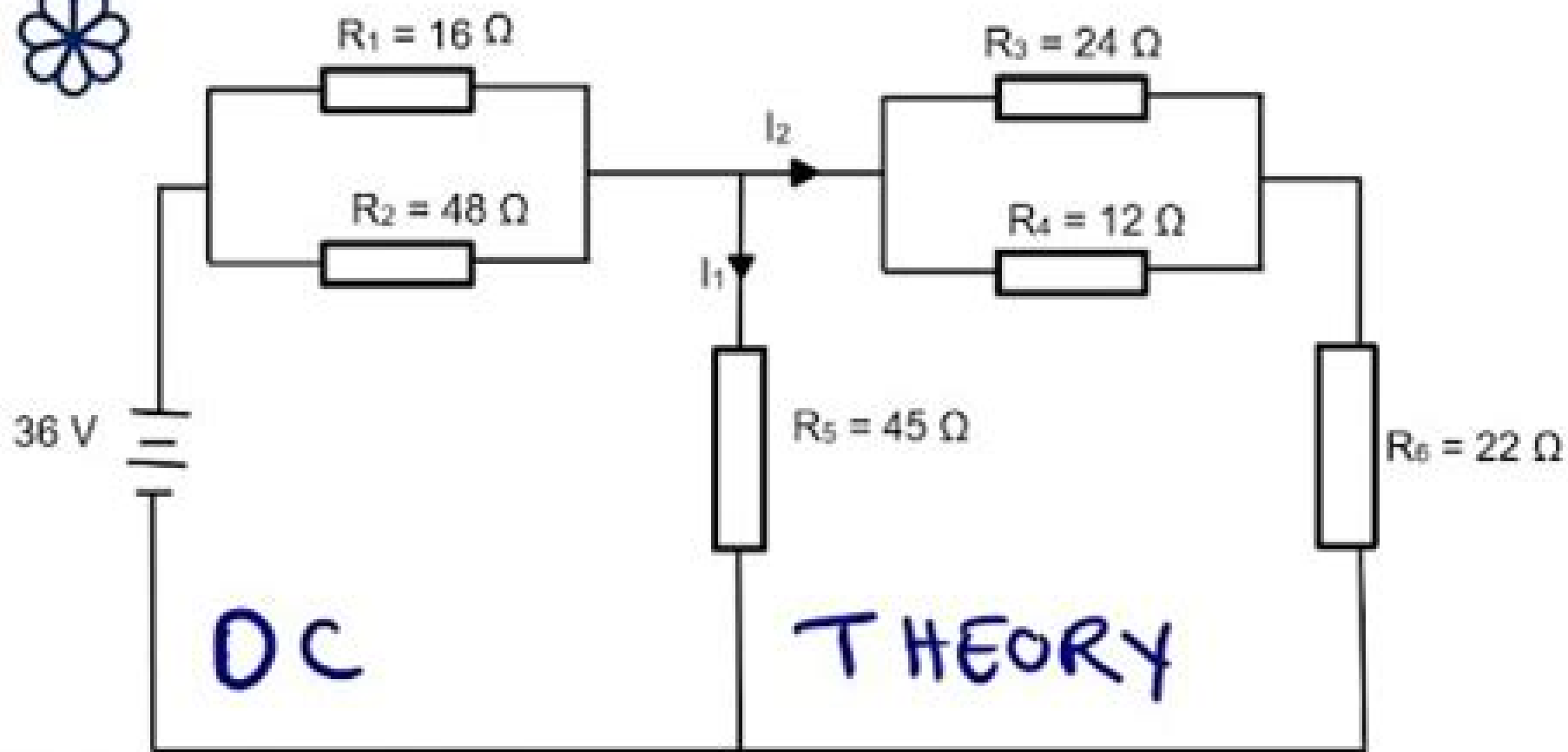


INDUSTRIAL ELECTRONICS N2

QUESTION 1

JUNE 2022



DC

THEORY

Referring to the circuit above, determine the following:

N2 Direct Theory Questions

National Academy of Sciences (U.S.)

N2 Direct Theory Questions:

CBSE Class 11 Chemistry Chapterwise Question Bank for 2026 Exam | As Per Latest NCERT Syllabus

Nodia,2025-07-18 This CBSE Class 11 Chemistry Chapter wise Question Bank 2026 Edition is meticulously prepared according to the latest CBSE and NCERT Class 11 Chemistry syllabus ensuring complete and exam oriented preparation All chapters are systematically arranged to strengthen conceptual clarity numerical problem solving and chemical understanding The book includes all key CBSE Chemistry question types such as objective questions Assertion Reason and Match the Following very short short long answer case based and NCERT textbook questions with detailed solutions Each question is supported with clear step by step explanations making this Class 11 Chemistry question bank an ideal resource for CBSE exams 2026 and a strong foundation for Class 12 Chemistry JEE and NEET preparation

THEORY AND METHODS OF SURVEY SAMPLING, SECOND EDITION MUKHOPADHYAY, PARIMAL,2008-12-19 This is a comprehensive exposition of survey sampling useful both to the students of statistics for the course on sample survey and to the survey statisticians and practitioners involved in consultancy services marketing opinion polls and so on The text offers updated review of difficult classical techniques of survey sampling besides covering prediction theoretic approach of survey sampling and nonsampling errors NEW TO THIS EDITION Two new chapters Nonparametric Methods of Variance Estimation Chapter 19 and Analysis of Complex Surveys Chapter 20 have been added These would greatly benefit the readers KEY FEATURES Covers concepts of unequal probability sampling Provides problems of making inference from finite population using tools of classical inference Describes nonsampling errors including Randomised Response Techniques Gives over 70 worked out examples and more than 120 problems and solutions Supplies live data from India and Sweden in examples and exercises What the Reviewer says This is a very comprehensive modern text on survey sampling with a strong slant towards theoretical results The book is an excellent reference book and would be a good graduate level sampling text for a course with an emphasis on sampling theory JESSE C ARNOLD Virginia Polytechnic Institute and State University

Marine Pelagic Cyanobacteria: Trichodesmium and other Diazotrophs E.J. Carpenter,D.G. Capone,2013-03-09 Planktonic marine cyanobacteria are abundant and significant in the biogeochemistry of the sea This volume focuses on the filamentous cyanobacteria particularly those in the genus Trichodesmium which are common in tropical and subtropical seas A portion of this book also concerns bloom forming cyanobacteria in the Baltic Sea area Filamentous cyanobacteria are important as primary producers and for the fixation of atmospheric nitrogen and thus are significant in global cycling of both of these elements In recent years through the application of new techniques and intensive multi disciplinary research programs progress has been made in understanding both the biology of these cyanobacteria and their place in the marine food web A broad range of topics is covered in this book ranging from molecular biology physiology ultrastructure enzyme localization toxicology remote sensing buoyancy herbivory and the ecology of these organisms in the marine food web This volume is an

outgrowth of a NATO sponsored meeting held in May 1991 in Bamberg Germany and represents the latest synthesis on these marine phytoplankters

Object-Oriented Behavioral Specifications Haim Kilov, William Harvey, 2007-08-20 Object Oriented Behavioral Specifications encourages builders of complex information systems to accelerate their move to using the approach of a scientific discipline in analysis rather than the approach of a craft The focus is on understanding customers needs and on precise specification of understanding gained through analysis Specifications must bridge any gaps in understanding about business rules among customers Subject Matter Experts and computer people must inform decisions about reuse of software and systems and must enable review of semantics over time Specifications need to describe semantics rather than syntax and to do that in an abstract and precise manner in order to create software systems that satisfy business rules The papers in this book show various ways of designing elegant and clear specifications which are reusable lead to savings of intellectual effort time and money and which contribute to the reliability of software and systems Object Oriented Behavioral Specifications offers a fresh treatment of the object oriented paradigm by examining the limitations of traditional OO methodologies and by describing the significance of competing trends in OO modeling The book builds on four years of successful OOPSLA workshops 1991 1995 on behavior semantics This book deals with precise specifications of what is accomplished by the business and what is to be done by a system The book includes descriptions of successful use of abstract and precise specification in industry It draws on the experience of experts from industrial and academic settings and benefits from international participation Collective behavior neglected in some treatment of the OO paradigm is addressed explicitly in this book The book does not take reuse of specifications or software for granted but furnishes a foundation for taking as rigorous an approach to reuse decisions as to precise specifications in original developments

Gasdynamics of Explosions and Reactive Systems A. K. Oppenheim, 2013-10-22 Gas Dynamics of Explosions and Reactive Systems documents the proceedings of the 6th Colloquium held at the Royal Institute of Technology in Stockholm Sweden 22 26 August 1977 The meeting was held under the auspices of the Royal Swedish Academy of Sciences and the International Academy of Astronautics The scientific program included over one hundred papers The contributions in this volume are organized into four parts Part I contains papers on gaseous detonations It covers topics such as theoretical model of a detonation cell spherical detonations in hydrocarbon air mixtures and shock wave propagation in tubes filled with water foams Part II presents studies on explosions such as the detonation of hydrogen azide and propagation of a laser supported detonation wave Part III examines condensed phase detonations It includes papers on the mechanism of the divergent and convergent dark waves originating at the charge boundary in detonating liquid homogeneous explosives with unstable detonation front and initiation studies in sensitized nitromethane Part IV presents discussions on turbulent detonations covering topics such as the computational aspects of turbulent combustion and problems and techniques in turbulent reactive systems

The Impact of Microorganisms on Consumption of Atmospheric Trace Gases Steffen Kolb, Marcus A. Horn, J. Colin

Murrell, Claudia Knief, 2017-11-29 Gases with a mixing ratio of less than one percent in the lower atmosphere i.e. the troposphere are considered as trace gases. Numerous of these trace gases originate from biological processes in marine and terrestrial ecosystems. These gases are of relevance for the climate as they contribute to global warming or to the troposphere's chemical reactive system that builds the ozone layer or they impact on the stability of aerosols, greenhouse and pollutant gases. These reactive trace gases include methane, a multitude of volatile organic compounds of biogenic origin, bVOCs and inorganic gases such as nitrogen oxides or ozone. The regulatory function of microorganisms for trace gas cycling has been intensively studied for the greenhouse gases nitrous oxide and methane but is less well understood for microorganisms that metabolize molecular hydrogen, carbon monoxide or bVOCs. The studies compiled in this Research Topic reflect this very well. While a number of articles focus on nitrous oxide and methane or carbon monoxide oxidation, only a few articles address conversion processes of further bVOCs. The Research Topic is complemented by three review articles about the consumption of methane and monoterpenes as well as the role of the phyllosphere as a particular habitat for trace gas-consuming microorganisms and point out future research directions in the field. The presented scientific work illustrates that the field of microbial regulation of trace gas fluxes is still in its infancy when one broadens the view on gases beyond methane and nitrous oxide. However, there is a societal need to better predict global dynamics of trace gases that impact on the functionality and warming of the troposphere. Upcoming modelling approaches will need further information on process rates, features and distribution of the driving microorganisms to fulfill this demanding task.

Educart ICSE Class 10 One-shot Question Bank 2026 Chemistry (strictly for 2025-26 boards) Sir Tarun Rupani, 2025-07-12 Fast track your Chemistry revision with this exam-ready resource. This One-shot Question Bank by Sir Tarun Rupani is designed to help ICSE Class 10 students revise the complete Chemistry syllabus quickly and thoroughly. It simplifies theory, boosts numerical accuracy, and ensures strong exam practice, all aligned with the 2025-26 ICSE syllabus. Key Features: Strictly Based on ICSE 2025-26 Curriculum; Complete chapter coverage including Periodic Table, Chemical Bonding, Acid-Base, Organic Chemistry, and more; One-shot Format: Each chapter includes concise concept notes, chemical equations, reactions, and key diagrams for quick recall; Complete Coverage of Question Types: Includes objective, short, long answers, equation-based, numerical, and reasoning questions; Chapterwise PYQs Included: Practice with previous years' ICSE board questions to understand trends and improve retention; Solved Answers in ICSE Format: Clear, well-structured solutions using proper units, chemical symbols, and balanced equations; Smart Revision Focus: Special tips to avoid common mistakes in writing reactions, balancing equations, and attempting numericals. Why Choose This Book? This Chemistry One-shot by Sir Tarun Rupani is built for smart preparation, whether you're revising at the last minute or practising throughout the term. It helps you approach each question with clarity, confidence, and the precision needed to score high in the 2026 ICSE board exam.

Mathematical Questions and Solutions in Continuation of the Mathematical Columns of "the Educational Times", 1883 **Mathematical**

Questions with Their Solutions ,1882 **Journal** American Chemical Society,2004 *The Cultivator & Country Gentleman* ,1881 Atomic Theories F. H. Loring,1921 **PROCEEINGS OF THE NATIONAL ACADEMY OF SCIENCES OF THE UNITED STATES OF AMERICA** , *Chemical News and Journal of Physical Science* William Crookes,James H. Gardiner,Gerald Druce,H. W. Blood-Ryan,1888 **Mathematical Questions and Solutions, from the "Educational Times."** ,1883 *Proceedings of the National Academy of Sciences of the United States of America* National Academy of Sciences (U.S.),1915 The Proceedings of the National Academy of Sciences PNAS publishes research reports commentaries reviews colloquium papers and actions of the Academy PNAS is a multidisciplinary journal that covers the biological physical and social sciences *On the Quantum Theory of Line-spectra* Niels Bohr,1918 **A Comprehensive Treatise on Inorganic and Theoretical Chemistry** Joseph William Mellor,1928 Supplement to Mellor's Comprehensive Treatise on Inorganic and Theoretical Chemistry: suppl. 1, pt. 1. N Joseph William Mellor,1928 *The Engineer* ,1891

Enjoying the Track of Phrase: An Psychological Symphony within **N2 Direct Theory Questions**

In some sort of eaten by screens and the ceaseless chatter of instantaneous connection, the melodic splendor and psychological symphony developed by the published word usually diminish into the back ground, eclipsed by the persistent sound and disruptions that permeate our lives. However, nestled within the pages of **N2 Direct Theory Questions** a wonderful literary prize filled with raw thoughts, lies an immersive symphony waiting to be embraced. Constructed by a masterful musician of language, this interesting masterpiece conducts visitors on a psychological journey, well unraveling the concealed tunes and profound impact resonating within each cautiously constructed phrase. Within the depths of the touching evaluation, we shall explore the book is main harmonies, analyze their enthralling writing style, and submit ourselves to the profound resonance that echoes in the depths of readers souls.

<https://auld.rmjm.com/public/browse/fetch.php/smelling%20lilac%20paperback%20by%20korn%20jr%20ambrose%20e.pdf>

Table of Contents N2 Direct Theory Questions

1. Understanding the eBook N2 Direct Theory Questions
 - The Rise of Digital Reading N2 Direct Theory Questions
 - Advantages of eBooks Over Traditional Books
2. Identifying N2 Direct Theory Questions
 - Exploring Different Genres
 - Considering Fiction vs. Non-Fiction
 - Determining Your Reading Goals
3. Choosing the Right eBook Platform
 - Popular eBook Platforms
 - Features to Look for in an N2 Direct Theory Questions
 - User-Friendly Interface
4. Exploring eBook Recommendations from N2 Direct Theory Questions
 - Personalized Recommendations

- N2 Direct Theory Questions User Reviews and Ratings
- N2 Direct Theory Questions and Bestseller Lists
- 5. Accessing N2 Direct Theory Questions Free and Paid eBooks
 - N2 Direct Theory Questions Public Domain eBooks
 - N2 Direct Theory Questions eBook Subscription Services
 - N2 Direct Theory Questions Budget-Friendly Options
- 6. Navigating N2 Direct Theory Questions eBook Formats
 - ePub, PDF, MOBI, and More
 - N2 Direct Theory Questions Compatibility with Devices
 - N2 Direct Theory Questions Enhanced eBook Features
- 7. Enhancing Your Reading Experience
 - Adjustable Fonts and Text Sizes of N2 Direct Theory Questions
 - Highlighting and Note-Taking N2 Direct Theory Questions
 - Interactive Elements N2 Direct Theory Questions
- 8. Staying Engaged with N2 Direct Theory Questions
 - Joining Online Reading Communities
 - Participating in Virtual Book Clubs
 - Following Authors and Publishers N2 Direct Theory Questions
- 9. Balancing eBooks and Physical Books N2 Direct Theory Questions
 - Benefits of a Digital Library
 - Creating a Diverse Reading Collection N2 Direct Theory Questions
- 10. Overcoming Reading Challenges
 - Dealing with Digital Eye Strain
 - Minimizing Distractions
 - Managing Screen Time
- 11. Cultivating a Reading Routine N2 Direct Theory Questions
 - Setting Reading Goals N2 Direct Theory Questions
 - Carving Out Dedicated Reading Time
- 12. Sourcing Reliable Information of N2 Direct Theory Questions
 - Fact-Checking eBook Content of N2 Direct Theory Questions

- Distinguishing Credible Sources
13. Promoting Lifelong Learning
- Utilizing eBooks for Skill Development
 - Exploring Educational eBooks
14. Embracing eBook Trends
- Integration of Multimedia Elements
 - Interactive and Gamified eBooks

N2 Direct Theory Questions Introduction

In today's digital age, the availability of N2 Direct Theory Questions books and manuals for download has revolutionized the way we access information. Gone are the days of physically flipping through pages and carrying heavy textbooks or manuals. With just a few clicks, we can now access a wealth of knowledge from the comfort of our own homes or on the go. This article will explore the advantages of N2 Direct Theory Questions books and manuals for download, along with some popular platforms that offer these resources. One of the significant advantages of N2 Direct Theory Questions books and manuals for download is the cost-saving aspect. Traditional books and manuals can be costly, especially if you need to purchase several of them for educational or professional purposes. By accessing N2 Direct Theory Questions versions, you eliminate the need to spend money on physical copies. This not only saves you money but also reduces the environmental impact associated with book production and transportation. Furthermore, N2 Direct Theory Questions books and manuals for download are incredibly convenient. With just a computer or smartphone and an internet connection, you can access a vast library of resources on any subject imaginable. Whether you're a student looking for textbooks, a professional seeking industry-specific manuals, or someone interested in self-improvement, these digital resources provide an efficient and accessible means of acquiring knowledge. Moreover, PDF books and manuals offer a range of benefits compared to other digital formats. PDF files are designed to retain their formatting regardless of the device used to open them. This ensures that the content appears exactly as intended by the author, with no loss of formatting or missing graphics. Additionally, PDF files can be easily annotated, bookmarked, and searched for specific terms, making them highly practical for studying or referencing. When it comes to accessing N2 Direct Theory Questions books and manuals, several platforms offer an extensive collection of resources. One such platform is Project Gutenberg, a nonprofit organization that provides over 60,000 free eBooks. These books are primarily in the public domain, meaning they can be freely distributed and downloaded. Project Gutenberg offers a wide range of classic literature, making it an excellent resource for literature enthusiasts. Another popular platform for N2 Direct Theory Questions books and manuals is Open Library. Open Library is an initiative of the Internet Archive, a non-profit

organization dedicated to digitizing cultural artifacts and making them accessible to the public. Open Library hosts millions of books, including both public domain works and contemporary titles. It also allows users to borrow digital copies of certain books for a limited period, similar to a library lending system. Additionally, many universities and educational institutions have their own digital libraries that provide free access to PDF books and manuals. These libraries often offer academic texts, research papers, and technical manuals, making them invaluable resources for students and researchers. Some notable examples include MIT OpenCourseWare, which offers free access to course materials from the Massachusetts Institute of Technology, and the Digital Public Library of America, which provides a vast collection of digitized books and historical documents. In conclusion, N2 Direct Theory Questions books and manuals for download have transformed the way we access information. They provide a cost-effective and convenient means of acquiring knowledge, offering the ability to access a vast library of resources at our fingertips. With platforms like Project Gutenberg, Open Library, and various digital libraries offered by educational institutions, we have access to an ever-expanding collection of books and manuals. Whether for educational, professional, or personal purposes, these digital resources serve as valuable tools for continuous learning and self-improvement. So why not take advantage of the vast world of N2 Direct Theory Questions books and manuals for download and embark on your journey of knowledge?

FAQs About N2 Direct Theory Questions Books

How do I know which eBook platform is the best for me? Finding the best eBook platform depends on your reading preferences and device compatibility. Research different platforms, read user reviews, and explore their features before making a choice. Are free eBooks of good quality? Yes, many reputable platforms offer high-quality free eBooks, including classics and public domain works. However, make sure to verify the source to ensure the eBook credibility. Can I read eBooks without an eReader? Absolutely! Most eBook platforms offer webbased readers or mobile apps that allow you to read eBooks on your computer, tablet, or smartphone. How do I avoid digital eye strain while reading eBooks? To prevent digital eye strain, take regular breaks, adjust the font size and background color, and ensure proper lighting while reading eBooks. What the advantage of interactive eBooks? Interactive eBooks incorporate multimedia elements, quizzes, and activities, enhancing the reader engagement and providing a more immersive learning experience. N2 Direct Theory Questions is one of the best book in our library for free trial. We provide copy of N2 Direct Theory Questions in digital format, so the resources that you find are reliable. There are also many Ebooks of related with N2 Direct Theory Questions. Where to download N2 Direct Theory Questions online for free? Are you looking for N2 Direct Theory Questions PDF? This is definitely going to save you time and cash in something you should think about. If you trying to find then search around for online.

Without a doubt there are numerous these available and many of them have the freedom. However without doubt you receive whatever you purchase. An alternate way to get ideas is always to check another N2 Direct Theory Questions. This method for see exactly what may be included and adopt these ideas to your book. This site will almost certainly help you save time and effort, money and stress. If you are looking for free books then you really should consider finding to assist you try this. Several of N2 Direct Theory Questions are for sale to free while some are payable. If you arent sure if the books you would like to download works with for usage along with your computer, it is possible to download free trials. The free guides make it easy for someone to free access online library for download books to your device. You can get free download on free trial for lots of books categories. Our library is the biggest of these that have literally hundreds of thousands of different products categories represented. You will also see that there are specific sites catered to different product types or categories, brands or niches related with N2 Direct Theory Questions. So depending on what exactly you are searching, you will be able to choose e books to suit your own need. Need to access completely for Campbell Biology Seventh Edition book? Access Ebook without any digging. And by having access to our ebook online or by storing it on your computer, you have convenient answers with N2 Direct Theory Questions To get started finding N2 Direct Theory Questions, you are right to find our website which has a comprehensive collection of books online. Our library is the biggest of these that have literally hundreds of thousands of different products represented. You will also see that there are specific sites catered to different categories or niches related with N2 Direct Theory Questions So depending on what exactly you are searching, you will be able to choose ebook to suit your own need. Thank you for reading N2 Direct Theory Questions. Maybe you have knowledge that, people have search numerous times for their favorite readings like this N2 Direct Theory Questions, but end up in harmful downloads. Rather than reading a good book with a cup of coffee in the afternoon, instead they juggled with some harmful bugs inside their laptop. N2 Direct Theory Questions is available in our book collection an online access to it is set as public so you can download it instantly. Our digital library spans in multiple locations, allowing you to get the most less latency time to download any of our books like this one. Merely said, N2 Direct Theory Questions is universally compatible with any devices to read.

Find N2 Direct Theory Questions :

smelling lilac paperback by korn jr ambrose e

smalltalk-80 bits of history words of advice

slovenska amerika slovak america

~~smartmusic instrumental microphone~~

sm principles operations management s/m

small works in fiber

smart environments technology protocols and applications

smile you39re worth it

smarter telecommunications hands-on guide to on-line computer services

slush pile

smithsonian annals of flight volume 1 no i

small wars the cultural politics of childhood

smiths review constitutional law fourth edition

smart health

smart guide to access 2000

N2 Direct Theory Questions :

frei wild mehr als 1000 worte still album cd1 youtube - Oct 10 2023

web jul 15 2015 frei wild mehr als 1000 worte still album cd1 frei wild 590k subscribers subscribe 2 4m views 8 years ago
still bei amazon bit ly stillamazon still im fw shop

frei wild mehr als 1000 worte chords ultimate guitar - Aug 28 2022

web apr 7 2020 strumming there is no strumming pattern for this song yet create and get 5 iq hi leute hier sind die akkorde für den frei wild song mehr als 1000 worte

wechsel zu amazon warum 7 vs wild vor einem dilemma - Jun 06 2023

web nov 7 2023 große streamer wie montanablack oder trymacs kommentieren jede folgen der survivalsendung in eigenen reaktionsvideos auch diese erreichen zum teil mehr

immer mehr englisch Übersetzung linguae wörterbuch - Oct 30 2022

web viele übersetzte beispielsätze mit immer mehr englisch deutsch wörterbuch und suchmaschine für millionen von englisch Übersetzungen

frei wild frei wild mehr als 1000 worte şarkı sözleri şarkı - Aug 08 2023

web Şarkı çevirisi frei wild frei wild mehr als 1000 worte türkçeye her şey ve hiçbir şey çok fazla değil bugün beni hayal kırıklığına uğrattı ve ikimizin de düşü dün öldü geleceği

frei wild mehr als 1000 worte chords chordify - May 25 2022

web chords for frei wild mehr als 1000 worte gm eb bb f chordify is your 1 platform for chords grab your guitar ukulele or piano and jam along in no time

wild wiktionary - Jul 07 2023

web wild deutsch digitales wörterbuch der deutschen sprache wild aus f w utsch ein jäger aus kurpfalz helga margenburg das bad im walde artemis und aktaion

wild kong by richard orlinski wildkong instagram - Dec 20 2021

web wild mehr omb no edited by sheldon choi the adventures of amir hamza palala press innumeracy in the wild explains how numeric ability supports the quality of

vielmehr wiktionary - Sep 09 2023

web vielmehr deutsch welt de auf der suche nach den börsen stars 2005 von holger zschäpitz 4 januar 2005 frank kostrzewa die situation der deutschen sprache in

wild mehr by karl josef fuchs goodreads - Feb 02 2023

web jan 1 2008 paperback published january 1 2008 book details editions

meaning of mehr als 1000 worte by frei wild songtell com - Jan 01 2023

web aug 15 2023 the song mehr als 1000 worte by frei wild focuses on a relationship that is falling apart the lyrics express the narrator s confusion and pain as they realize that

wild mehr fuchs karl josef 9783937963808 amazon com au - Apr 23 2022

web wild mehr fuchs karl josef on amazon com au free shipping on eligible orders wild mehr

wild mehr by fuchs karl josef abebooks - Sep 28 2022

web wild mehr by karl josef fuchs and a great selection of related books art and collectibles available now at abebooks com

wild mehr 2022 api mobomo - Nov 18 2021

web a gb gm eb d chords for frei wild mehr als 1000 worte live in dresden with key bpm and easy to follow letter notes in sheet play with guitar piano ukulele or any

frei wild mehr als 1000 worte gegengift album chordu - Mar 23 2022

web f a f c g chords for frei wild mehr als 1000 worte gegengift album disc 1 with key bpm and easy to follow letter notes in sheet play with guitar piano ukulele or

chords for frei wild mehr als tausend worte unplugged - Jul 27 2022

web f a f a m c g f m fm b e em c chords for frei wild mehr als tausend worte unplugged with song key bpm capo transposer play along with guitar piano ukulele

frei wild mehr als 1000 worte chords chordu - May 05 2023

web f bb gb db ab chords for frei wild mehr als 1000 worte with key bpm and easy to follow letter notes in sheet play with guitar piano ukulele or any instrument you choose

chords for frei wild mehr als 1000 worte live in dresden - Oct 18 2021

willkommen bei wild und mehr fleischspezialitäten von beisiegel - Feb 19 2022

web willkommen bei wild und mehr fleischspezialitäten von beisiegel

07 frei wild mehr als 1000 worte unplugged cruelty soundcloud - Apr 04 2023

web stream 07 frei wild mehr als 1000 worte unplugged cruelty by black sheep on desktop and mobile play over 320 million tracks for free on soundcloud soundcloud

wild mehr fuchs karl josef 9783937963808 abebooks - Jun 25 2022

web abebooks com wild mehr 9783937963808 by fuchs karl josef and a great selection of similar new used and collectible books available now at great prices

reiner mehr vice president sales engineering - Jan 21 2022

web 377 followers 33 following 176 posts see instagram photos and videos from wild kong by richard orlinski wildkong

wild mehr butcher foursquare - Mar 03 2023

web wild mehr see what your friends are saying about wild mehr by creating an account you are able to follow friends and experts you trust and see the places they ve recommended

mehr als 1000 worte tab by frei wild songsterr - Nov 30 2022

web oct 20 2016 mehr als 1000 worte tab by frei wild free online tab player one accurate version recommended by the wall street journal

j m w turner ackroyd s brief lives google play - Dec 26 2022

web buy j m w turner ackroyd s brief lives by ackroyd peter isbn 9780385507981 from amazon s book store everyday low prices and free delivery on eligible orders

j m w turner by peter ackroyd overdrive ebooks - Feb 13 2022

j m w turner by peter ackroyd 9780307423658 - Jul 01 2023

web in this second volume in the ackroyd s brief lives series best selling author peter ackroyd brings us a man of humble beginnings crude manners and prodigious talents

j m w turner on apple books - Jan 15 2022

j m w turner ackroyd s brief lives peter ackroyd google - Aug 02 2023

web about j m w turner in this second volume in the ackroyd s brief lives series bestselling author peter ackroyd brings us a

man of humble beginnings crude

j m w turner ackroyd s brief lives kindle edition - May 19 2022

web oct 21 2014 in this second volume in the ackroyd s brief lives series bestselling author peter ackroyd brings us a man of humble beginnings crude manners and prodigious

[j m w turner ackroyd s brief lives 2023](#) - Jul 21 2022

web j m w turner ackroyd s brief lives written by peter ackroyd narrated by nicholas guy smith unabridged audiobook play free add to cart 15 00 give as a gift ratings

j m w turner ackroyd s brief lives barnes noble - Mar 29 2023

web oct 21 2014 in this second volume in the ackroyd s brief lives series bestselling author peter ackroyd brings us a man of humble beginnings crude manners and prodigious

j m w turner peter ackroyd google books - Dec 14 2021

j m w turner peter ackroyd joseph mallord william turner - May 31 2023

web in this second volume in the ackroyd s brief lives series bestselling author peter ackroyd brings us a man of humble beginnings crude manners and prodigious talents

[j m w turner by peter ackroyd overdrive](#) - Jan 27 2023

web in this second volume in the ackroyd s brief lives series bestselling author peter ackroyd brings us a man of humble beginnings crude manners and prodigious talents

j m w turner by peter ackroyd fantastic fiction - Jun 19 2022

web in this second volume in the ackroyd s brief lives series bestselling author peter ackroyd brings us a man of humble beginnings crude manners and prodigious talents

[listen free to j m w turner ackroyd s brief lives by peter](#) - Mar 17 2022

web also available in ackroyd s brief lives chaucer in this second volume in the ackroyd s brief lives series bestselling author peter ackroyd brings us a man of

[brief lives 2 j m w turner ackroyd peter 9780701169879](#) - Sep 22 2022

web j m w turner ackroyd s brief lives shakespeare sep 12 2022 a times literary supplement best book of the year drawing on an exceptional combination of

j m w turner ackroyd s brief lives by peter ackroyd goodreads - Oct 04 2023

web nov 20 2016 j m w turner book read 35 reviews from the world s largest community for readers in this second volume in the ackroyd s brief lives series bestsellin

j m w turner by peter ackroyd fable stories for everyone - Nov 24 2022

web apr 26 2005 the second short biography in peter ackroyd s brief lives series concentrates on the life and work of perhaps the greatest and most original of all english

j m w turner ackroyd s brief lives audiobooks com - Apr 17 2022

web in this second volume in the ackroyd s brief lives series bestselling author peter ackroyd brings us a man of humble beginnings crude manners and prodigious talents

j m w turner ackroyd s brief lives unabridged apple books - Feb 25 2023

web j m w turner ackroyd s brief lives audiobook written by peter ackroyd narrated by nicholas guy smith get instant access to all your favorite books no monthly

j m w turner ackroyd s brief lives hardcover abebooks - Apr 29 2023

web available in audiobook digital in this second volume in the ackroyd s brief lives series bestselling author peter ackroyd brings us a man of humble

[j m w turner ackroyd s brief lives amazon co uk](#) - Oct 24 2022

web j m w turner ackroyd s brief lives ebook ackroyd peter amazon com au kindle store

[j m w turner ackroyd s brief lives amazon com](#) - Sep 03 2023

web in this second volume in the ackroyd s brief lives series bestselling author peter ackroyd brings us a man of humble beginnings crude manners and prodigious talents

[j m w turner ackroyd s brief lives kindle edition](#) - Aug 22 2022

web in this second volume in the ackroyd s brief lives series bestselling author peter ackroyd brings us a man of humble beginnings crude manners and prodigious talents

[astronomia las nebulosas guia para principiantes stage gapinc](#) - May 01 2022

web del cielo de gran utilidad para identificar en la noche los objetos celestes más espectaculares por la claridad con la que se exponen los datos científicos más actuales esta guía resultará de interés

astronomia las nebulosas guia para principiantes william - Sep 05 2022

web this on line broadcast astronomia las nebulosas guia para principiantes as skillfully as evaluation them wherever you are now revista cientfica mexicana 1880 active galactic nuclei and related phenomena international astronomical

astronomía las nebulosas guía para principiantes spanish - Jul 15 2023

web astronomía las nebulosas guía para principiantes spanish edition bass arthwr amazon sg books

ebook astronomia las nebulosas guía para principiantes - Jun 02 2022

web astronomia las nebulosas guia para principiantes gua para principiantes pintura de bodegn may 17 2022 el objetivo de

esta guía para principiantes es introducir al lector en la técnica de la pintura de bodegones este género presenta muchas ventajas para el principiante es el mejor modelo para aprender a componer pues permite

[astronomía las nebulosas guía para principiantes ebook](#) - Jan 09 2023

web astronomía las nebulosas guía para principiantes ebook bass arthwr lozada gil vanessa amazon es tienda kindle

las nebulosas astronomia iniciacion com - Dec 08 2022

web las nebulosas planetarias son envolturas de estrellas con poca masa que han sido expulsadas al espacio cuando han llegado al final de su vida en el núcleo de la nebulosa se encuentra la estrella muerta una enana blanca

[astronomia las nebulosas guia para principiantes pdf](#) - Jul 03 2022

web astronomia las nebulosas guia para principiantes ayuno intermitente guía para principiantes de ayuno intermitente para impulsar su salud y vitalidad dec 14 2020 este libro explicará el concepto los beneficios y el cómo del ayuno intermitente de una manera que es más que fácil de entender para cualquiera que esté leyendo y le dará

[nebulosas qué son tipos y las 7 más fáciles de ver con un telescopio](#) - Oct 06 2022

web 1 nebulosa de orión 2 nebulosa de la laguna 3 nebulosa del Águila 4 nebulosa trífida 5 nebulosa dumbbell 6 nebulosa del cangrejo 7 nebulosa del anillo qué es una nebulosa las nebulosas son nubes gigantescas formadas por polvo cósmico y por gases como el hidrógeno el oxígeno y el helio

astronomía las nebulosas guía para principiantes - Apr 12 2023

web contiene una explicación detallada sobre las nebulosas conceptos básicos clases hallazgos históricos y antecedentes en las observaciones astronómicas composición y procesos físicos carta de las constelaciones del cielo además de una colección de más de 30 nebulosas asombrosas hermosas y curiosas del universo con imágenes y

[astronomía guía para principiantes spanish edition](#) - Feb 10 2023

web arthwr bass astronomía guía para principiantes spanish edition tapa blanda 2 febrero 2017 edición en español de arthwr bass author vanessa lozada gil editor 4 0 254 calificaciones libro 1 de 6 astronomía ver todos los formatos y ediciones

loading interface goodreads - Nov 07 2022

web discover and share books you love on goodreads

astronomia para principiantes el séptimo cielo fundación - Aug 04 2022

web 1 2 3 siguiente con estas guías para principiantes aprenderás a leer el cielo nocturno e identificar los principales fenómenos astronómicos de nuestra galaxia aprende a mirar el cielo con ojos de experto y descubre su significado

astronomía las nebulosas guía para principiantes spanish - Jun 14 2023

web astronomía las nebulosas guía para principiantes spanish edition ebook bass arthwr lozada gil vanessa amazon com au kindle store

astronomía las nebulosas guía para principiantes - May 13 2023

web contiene una explicación detallada sobre las nebulosas conceptos básicos clases hallazgos históricos y antecedentes en las observaciones astronómicas composición y procesos físicos carta de las constelaciones del cielo además de una colección de más de 30 nebulosas asombrosas hermosas y curiosas del universo con imágenes y

nebulosas qué son cómo se forman y tipos meteorología en red - Feb 27 2022

web nebulosas de emisión este es el tipo más común de nebulosas son visibles y emiten luz debido a la energía que reciben de las estrellas cercanas para emitir la luz los átomos de hidrógeno se excitan por la poderosa luz ultravioleta de las estrellas cercanas y se ioniza esto es que pierde su único electrón para emitir un fotón

astronomía las nebulosas guía para principiantes spanish - Mar 11 2023

web amazon com astronomía las nebulosas guía para principiantes spanish edition ebook bass arthwr lozada gil vanessa tienda kindle

astronomía las nebulosas guía para principiantes by arthwr bass - Aug 16 2023

web arthwr los mejores telescopios para principiantes del mercado astronomía las nebulosas guía para principiantes tienda

astronomía para principiantes reconocer constelaciones guía 10 conceptos básicos entender prar o elegir arthwr bass

astronomía las nebulosas guía para principiantes los mejores

astronomia las nebulosas guia para principiantes pdf - Mar 31 2022

web como la elección del lugar de observación o aspectos meteorológicos ofrece instrucciones detalladas para observar el sol la luna los planetas y todo tipo de objetos difusos y explica cómo iniciarse en las prácticas más novedosas como la observación de satélites artificiales o el uso de bancos de datos astronómicos

astronomía las nebulosas guía para principiantes spanish - Oct 18 2023

web aug 27 2018 es una guía para principiantes estudiantes y aficionados interesados en aprender sobre esta fascinante ciencia contiene una explicación detallada sobre las nebulosas conceptos básicos clases hallazgos históricos y antecedentes en las observaciones astronómicas composición y procesos físicos carta de las

astronomía las nebulosas guía para principiantes - Sep 17 2023

web las nebulosas por arthwr bass es una guía para principiantes estudiantes y aficionados interesados en aprender sobre esta fascinante ciencia contiene una explicación detallada sobre las nebulosas conceptos básicos clases hallazgos históricos y antecedentes en las observaciones astronómicas composición y procesos físicos carta