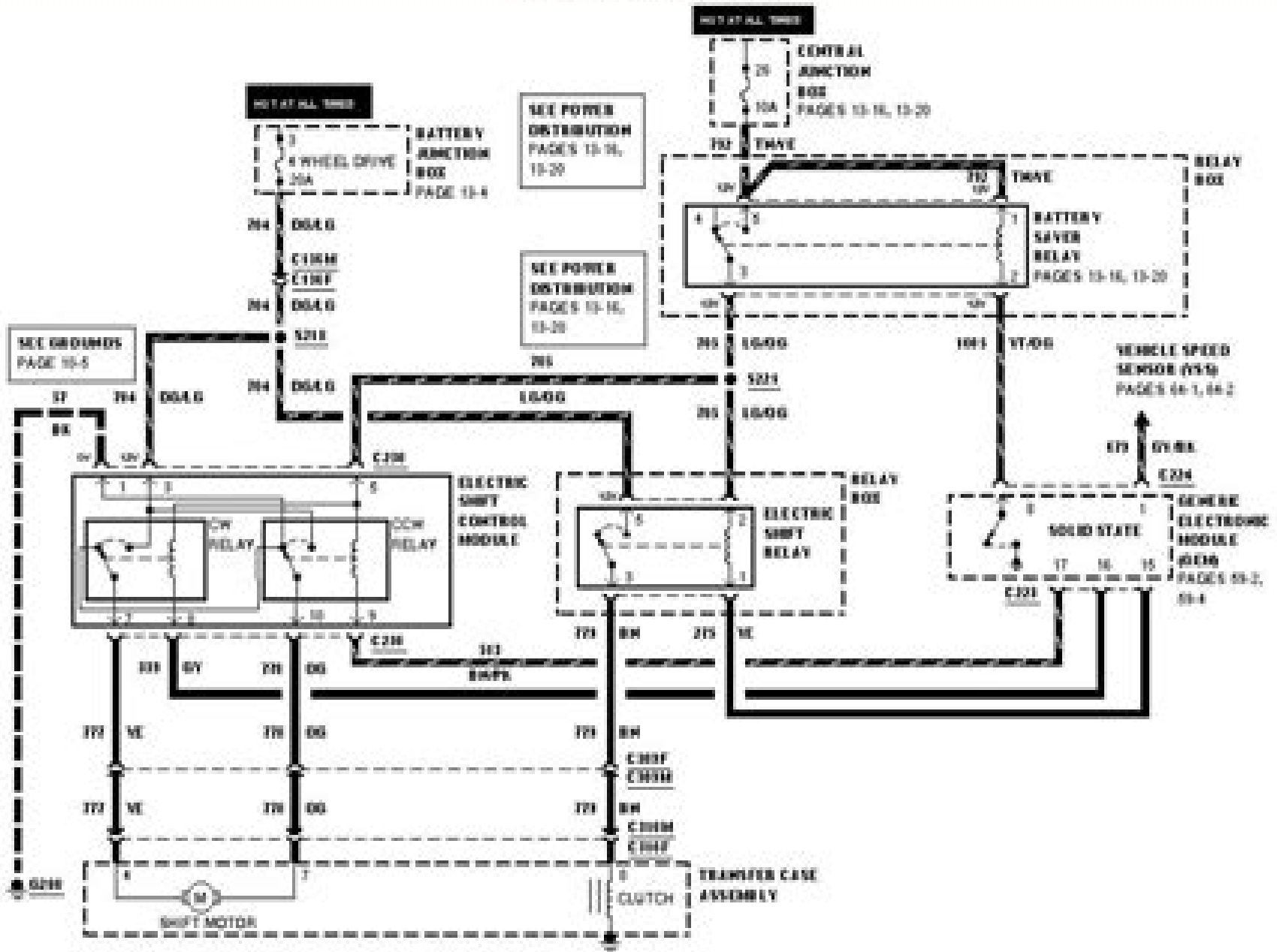


Electric Shift Control (034-1)



2000 Ford Ranger Wiring Diagram

G Thomas



2000 Ford Ranger Wiring Diagram:

Semiconductor Design and Implementation Issues in Integrated Vehicle Electronics John H. Hall, 2005 This major research study provides a fresh critical look at the way automobile electronics are and should be built Written by Silicon Valley pioneer John Hall this book is based on his nearly 40 years of experience in developing and producing semiconductors for the automobile industry and other customers Highly readable and comprehensible for even beginning students of electronics and semiconductor design this volume provides an in depth explanation of the factors to be considered when building vehicle systems Starting with a concise history of vehicle electronics Hall walks the reader through the environmental conditions faced by these systems and the variety of failure mechanisms that can occur Basic and advanced semiconductor issues raised by vehicle implementation are then discussed in detail A wide range of issues confronting designers from over marketing of risky features to time and cost constraints are explained Complex electronic modules from many different manufacturers are examined and discussed as real world case studies of good and bad design techniques Hall concludes by providing design recommendations that will allow vehicle electronics system developers to build much tougher devices at little or no incremental production cost This book is the first major work to focus on key issues emerging as major causes of safety and performance problems Vehicle makers increasingly seek market advantages by providing ever more capable electronics in their products While these features add much value to vehicles they fail in ways that are beyond the experience and comprehension of most technicians and accident investigators By combining decades of design experience and innovation with extensive research Hall has produced unique insights and explanations so engineers can prevent most or perhaps all of these problems John Hall is one of Silicon Valley s most prolific independent pioneers and inventors He founded Union Carbide s semi conductor operation in 1962 He is a founder of Interstil and Micro Power Systems He is the inventor of the first electronic watch first LCD digital watch first CMOS liquid crystal display hand held calculator color autofocus cameras among many successful commercial products He has worked for many American and foreign automakers on specific projects such as integrated two way radios and seat belt interlocks He is working with DoD on hardening electronics systems against non nuclear events

West's Southern Reporter ,2001 **Haynes Ford Focus 2000 and 2001** Jay Storer, John Harold Haynes, 2002 Inside this manual the reader will learn to do routine maintenance tune up procedures engine repair along with aspects of your car such as cooling and heating air conditioning fuel and exhaust emissions control ignition brakes suspension and steering electrical systems wiring diagrams

Used Car Buying Guide 2007 Consumer Reports (Firm), 2007-01-09 Buying a car can be a smart idea a car loses the lion s share of its value when it is driven off the new car lot so why let someone else take that loss But buyer beware A used car is likely to need more repairs and may come with a short warranty or none at all In addition used cars may lack the latest safety features That is why it is so important for consumers to do extensive research so they can avoid all of the potential pitfalls of buying a used car The

auto experts at Consumer Reports have done the work for you and have compiled their extensive research and report their findings into the 2007 edition of USED CAR BUYING GUIDE This fabulous tool will help steer any consumer who is in the market for a used car towards the better performing and more reliable used car models and away from those models with a troubled past or substandard performance Before consumers set foot on a used car lot they should read all the valuable information provided in this book so they can be armed with as much information as possible and the knowledge to make an educated choice Consumer Reports knows cars and offers the most detailed and revealing used car reliability information available anywhere including Unbiased reviews of every major model from 1999 2006 Lists of the best and worst used vehicles and how to avoid a lemon A checklist of what to look for when inspecting a used car Best used cars for gas mileage Tips on negotiating the best price Reliability recalls and crash test information Making sense of safety information How to get the most money when trading in your current car The majority of this book is devoted to the profiles of 264 cars minivans SUVs and trucks presenting all major 1999 2006 models Each profile contains a photo from the representative year a write up of the vehicle reliability history crash test data and the model years when key safety gear was added and when a major redesign was made

Seloc Mercury/Mariner Outboards, 1990-00 Repair Manual Scott A. Freeman, 2000 **1993 Mitchell Domestic Light Trucks & Vans Service & Repair** Mitchell International, 1993 Used Car Buying Guide 2004 Consumer Reports, 2004-03-02 This trustworthy guide has step by step advice on used cars from selection to shopping strategies vehicle inspection negotiation techniques and closing the deal Also includes details about all checks performances and how to find a good mechanic Consumer Reports Consumer Reports, 2007-01-23 Now you can get the wisdom of one full year of Consumer Reports in one place We've assembled all twelve 2006 issues of Consumer Reports magazine and put them in a single bound collection Consumer Reports magazine is the source you can trust for ratings and recommendations of consumer products and services Whether you're buying a car a TV or a new cell phone plan our unbiased reports will help you get the best value for your money *Consumer Reports Used Car Buying Guide 2003* Consumer Reports Books, 2003-02-14 The ultimate used car guide lists the best and worst used cars summarizes the marketplace shares advice on web shopping discusses author insurance and shares tips on buying and selling Original Cars & Parts, 1998-07

Ford Fuel Injection & Electronic Engine Control Charles O. Probst, 1993 The authoritative hands on book for Ford Engine Control Systems Author Charles Probst worked directly with Ford engineers trainers and technicians to bring you expert advice and inside information on the operation of Ford systems His comprehensive troubleshooting service procedures and tips will help you master your Ford's engine control system **Consumer Reports Used Car Buying Guide** Consumer Reports Books Editors, 2001-02 Consumer Reports Used Car Buying Guide gives shoppers comprehensive advice on more than 200 models including reliability histories for 1992 1999 models of cars SUVs minivans and pickup trucks 225 photos charts **Air Conditioning & Heating Service & Repair, Domestic Cars, Trucks & Vans** Mitchell Information

Services, Mitchell Manuals, inc, 1982 *The Automobile* , 1910 Mitchell Electronic Fuel Injection , 1995 Ward's Automotive Yearbook , 1995 Includes advertising matter **Used Car Buying Guide** Consumer Reports Books, 1998-08 This specialty buying guide presents easy to use historical profiles of some 200 models cars trucks minivans sport utility vehicles giving readers a comprehensive view of each model as a used car *F&S Index United States Annual* , 1999 **1999 Ford Ranger** Ford Motor Company, 1998 **Electrical Engineer** , 1891

2000 Ford Ranger Wiring Diagram Book Review: Unveiling the Power of Words

In a world driven by information and connectivity, the energy of words has been evident than ever. They have the capacity to inspire, provoke, and ignite change. Such may be the essence of the book **2000 Ford Ranger Wiring Diagram**, a literary masterpiece that delves deep to the significance of words and their affect our lives. Compiled by a renowned author, this captivating work takes readers on a transformative journey, unraveling the secrets and potential behind every word. In this review, we shall explore the book's key themes, examine its writing style, and analyze its overall affect readers.

<https://auld.rmjm.com/public/virtual-library/fetch.php/spanish%20language%20cheat%20sheet.pdf>

Table of Contents 2000 Ford Ranger Wiring Diagram

1. Understanding the eBook 2000 Ford Ranger Wiring Diagram
 - The Rise of Digital Reading 2000 Ford Ranger Wiring Diagram
 - Advantages of eBooks Over Traditional Books
2. Identifying 2000 Ford Ranger Wiring Diagram
 - Exploring Different Genres
 - Considering Fiction vs. Non-Fiction
 - Determining Your Reading Goals
3. Choosing the Right eBook Platform
 - Popular eBook Platforms
 - Features to Look for in an eBook 2000 Ford Ranger Wiring Diagram
 - User-Friendly Interface
4. Exploring eBook Recommendations from 2000 Ford Ranger Wiring Diagram
 - Personalized Recommendations
 - 2000 Ford Ranger Wiring Diagram User Reviews and Ratings
 - 2000 Ford Ranger Wiring Diagram and Bestseller Lists
5. Accessing 2000 Ford Ranger Wiring Diagram Free and Paid eBooks

- 2000 Ford Ranger Wiring Diagram Public Domain eBooks
 - 2000 Ford Ranger Wiring Diagram eBook Subscription Services
 - 2000 Ford Ranger Wiring Diagram Budget-Friendly Options
6. Navigating 2000 Ford Ranger Wiring Diagram eBook Formats
 - ePub, PDF, MOBI, and More
 - 2000 Ford Ranger Wiring Diagram Compatibility with Devices
 - 2000 Ford Ranger Wiring Diagram Enhanced eBook Features
 7. Enhancing Your Reading Experience
 - Adjustable Fonts and Text Sizes of 2000 Ford Ranger Wiring Diagram
 - Highlighting and Note-Taking 2000 Ford Ranger Wiring Diagram
 - Interactive Elements 2000 Ford Ranger Wiring Diagram
 8. Staying Engaged with 2000 Ford Ranger Wiring Diagram
 - Joining Online Reading Communities
 - Participating in Virtual Book Clubs
 - Following Authors and Publishers 2000 Ford Ranger Wiring Diagram
 9. Balancing eBooks and Physical Books 2000 Ford Ranger Wiring Diagram
 - Benefits of a Digital Library
 - Creating a Diverse Reading Collection 2000 Ford Ranger Wiring Diagram
 10. Overcoming Reading Challenges
 - Dealing with Digital Eye Strain
 - Minimizing Distractions
 - Managing Screen Time
 11. Cultivating a Reading Routine 2000 Ford Ranger Wiring Diagram
 - Setting Reading Goals 2000 Ford Ranger Wiring Diagram
 - Carving Out Dedicated Reading Time
 12. Sourcing Reliable Information of 2000 Ford Ranger Wiring Diagram
 - Fact-Checking eBook Content of 2000 Ford Ranger Wiring Diagram
 - Distinguishing Credible Sources
 13. Promoting Lifelong Learning
 - Utilizing eBooks for Skill Development

- Exploring Educational eBooks
14. Embracing eBook Trends
- Integration of Multimedia Elements
 - Interactive and Gamified eBooks

2000 Ford Ranger Wiring Diagram Introduction

In this digital age, the convenience of accessing information at our fingertips has become a necessity. Whether its research papers, eBooks, or user manuals, PDF files have become the preferred format for sharing and reading documents. However, the cost associated with purchasing PDF files can sometimes be a barrier for many individuals and organizations. Thankfully, there are numerous websites and platforms that allow users to download free PDF files legally. In this article, we will explore some of the best platforms to download free PDFs. One of the most popular platforms to download free PDF files is Project Gutenberg. This online library offers over 60,000 free eBooks that are in the public domain. From classic literature to historical documents, Project Gutenberg provides a wide range of PDF files that can be downloaded and enjoyed on various devices. The website is user-friendly and allows users to search for specific titles or browse through different categories. Another reliable platform for downloading 2000 Ford Ranger Wiring Diagram free PDF files is Open Library. With its vast collection of over 1 million eBooks, Open Library has something for every reader. The website offers a seamless experience by providing options to borrow or download PDF files. Users simply need to create a free account to access this treasure trove of knowledge. Open Library also allows users to contribute by uploading and sharing their own PDF files, making it a collaborative platform for book enthusiasts. For those interested in academic resources, there are websites dedicated to providing free PDFs of research papers and scientific articles. One such website is Academia.edu, which allows researchers and scholars to share their work with a global audience. Users can download PDF files of research papers, theses, and dissertations covering a wide range of subjects. Academia.edu also provides a platform for discussions and networking within the academic community. When it comes to downloading 2000 Ford Ranger Wiring Diagram free PDF files of magazines, brochures, and catalogs, Issuu is a popular choice. This digital publishing platform hosts a vast collection of publications from around the world. Users can search for specific titles or explore various categories and genres. Issuu offers a seamless reading experience with its user-friendly interface and allows users to download PDF files for offline reading. Apart from dedicated platforms, search engines also play a crucial role in finding free PDF files. Google, for instance, has an advanced search feature that allows users to filter results by file type. By specifying the file type as "PDF," users can find websites that offer free PDF downloads on a specific topic. While downloading 2000 Ford Ranger Wiring Diagram free PDF files is convenient, its important to note that copyright laws must be respected. Always ensure that the PDF files you download are

legally available for free. Many authors and publishers voluntarily provide free PDF versions of their work, but its essential to be cautious and verify the authenticity of the source before downloading 2000 Ford Ranger Wiring Diagram. In conclusion, the internet offers numerous platforms and websites that allow users to download free PDF files legally. Whether its classic literature, research papers, or magazines, there is something for everyone. The platforms mentioned in this article, such as Project Gutenberg, Open Library, Academia.edu, and Issuu, provide access to a vast collection of PDF files. However, users should always be cautious and verify the legality of the source before downloading 2000 Ford Ranger Wiring Diagram any PDF files. With these platforms, the world of PDF downloads is just a click away.

FAQs About 2000 Ford Ranger Wiring Diagram Books

How do I know which eBook platform is the best for me? Finding the best eBook platform depends on your reading preferences and device compatibility. Research different platforms, read user reviews, and explore their features before making a choice. Are free eBooks of good quality? Yes, many reputable platforms offer high-quality free eBooks, including classics and public domain works. However, make sure to verify the source to ensure the eBook credibility. Can I read eBooks without an eReader? Absolutely! Most eBook platforms offer web-based readers or mobile apps that allow you to read eBooks on your computer, tablet, or smartphone. How do I avoid digital eye strain while reading eBooks? To prevent digital eye strain, take regular breaks, adjust the font size and background color, and ensure proper lighting while reading eBooks. What the advantage of interactive eBooks? Interactive eBooks incorporate multimedia elements, quizzes, and activities, enhancing the reader engagement and providing a more immersive learning experience. 2000 Ford Ranger Wiring Diagram is one of the best book in our library for free trial. We provide copy of 2000 Ford Ranger Wiring Diagram in digital format, so the resources that you find are reliable. There are also many Ebooks of related with 2000 Ford Ranger Wiring Diagram. Where to download 2000 Ford Ranger Wiring Diagram online for free? Are you looking for 2000 Ford Ranger Wiring Diagram PDF? This is definitely going to save you time and cash in something you should think about.

Find 2000 Ford Ranger Wiring Diagram :

spanish language cheat sheet

improvement of reading

be love daily intentions guiding you to self love

les cowboys du sexas billy the kid

[suzuki f 25 v twin manual](#)

[97 mitsubishi pajero owners manual](#)

[american odyssey answer key section 4](#)

[83 ford f250 diesel manual](#)

[mitsubishi l200 service repair workshop manual 1997 2002](#)

[standar peralatan poskesdes](#)

[good fishing in lake ontario and its tributaries](#)

[2014 exemplar life orientation](#)

[physical chemistry atkins 9th solutions manual](#)

[fetal alcohol syndrome an annotated bibliography](#)

[n2 diesel trade theory question papers](#)

2000 Ford Ranger Wiring Diagram :

superman tierra uno 2a edicion superman tierra un 2022 - Jan 27 2022

web apr 1 2023 superman tierra uno 2a edicion superman tierra un 2 6 downloaded from uniport edu ng on april 1 2023 by guest revista de revistas 1983 superman up in the

superman tierra uno 2a edicion superman tierra un brian - Nov 05 2022

web novels like this superman tierra uno 2a edicion superman tierra un but end up in malicious downloads rather than enjoying a good book with a cup of coffee in the

[superman tierra uno ecc ediciones whakoom](#) - Oct 04 2022

web jun 6 2023 superman tierra uno 2a edicion superman tierra un 1 6 downloaded from uniport edu ng on june 6 2023 by guest superman tierra uno 2a edicion superman

superman tierra uno vol 02 segunda edici3n ecc ediciones - Jun 12 2023

web jan 31 2014 en este segundo volumen de superman tierra uno el guionista j michael straczynski y el dibujante shane davis regresan con nuevas aventuras del 3ltimo hijo de

tierra uno wiki superman fandom - Mar 09 2023

web superman tierra uno vol 1 2a edici3n libro de editorial ecc libros con 5 de descuento y envi3 gratis desde 19

superman tierra uno vol 1 2a edici3n librotea - Dec 06 2022

web argumento edici3n original superman earth one vol 1 usa superman earth one vol 2 usa y superman earth one vol 3 usa clark kent podr3a trabajar en lo que

superman tierra uno 2a edicion superman tierra un paul - Apr 29 2022

web superman tierra uno 2a edicion superman tierra un 3 3 princess diana of themyscira left paradise to save man s world from itself when wonder woman awakens from a

superman tierra uno 2a edicion superman tierra un - Dec 26 2021

web superman red son superman tierra 1 superman unchained new 52 teen titans tierra uno vol 1 thanos vol 2 thanos el guantelete del infinito the amazing spider

libro superman tierra uno vol 1 2ª ed j michael - Feb 08 2023

web un hombre de acero para una nueva generación tan solo creáis conocer su historia clark kent es alguien diferente puede volar puede ver a través de las paredes quemar

superman tierra uno 2a edicion superman tierra un copy - Sep 22 2021

superman tierra uno vol 1 2a edición tapa dura - Apr 10 2023

web libro superman tierra uno vol 1 2ª ed j michael straczynski isbn 9788416409235 comprar en buscalibre ver opiniones y comentarios compra y venta de libros

superman tierra uno 2a edicion superman tierra un - Feb 25 2022

web jun 26 2023 superman tierra uno 2a edicion superman tierra un 2 6 downloaded from uniport edu ng on june 26 2023 by guest elaborate government made lie his reaction

superman tierra uno 2a edicion superman tierra un jeph - Sep 03 2022

web apr 9 2023 superman tierra uno 2a edicion superman tierra un 2 6 downloaded from uniport edu ng on april 9 2023 by guest for trojan solutions the golden age reaches

superman tierra uno 2a edicion superman tierra un pdf - Aug 02 2022

web jul 13 2023 superman tierra uno 2a edicion superman tierra un 1 7 downloaded from uniport edu ng on july 13 2023 by guest superman tierra uno 2a edicion superman

superman tierra uno vol 1 segunda edición superman tierra - Aug 14 2023

web superman tierra uno vol 1 segunda edición superman tierra uno vol 1 2a edición straczynski j michael davis shane ruiz carreras guillermo amazon es libros

superman tierra uno 2a edicion superman tierra un - Mar 29 2022

web superman tierra uno 2a edicion superman tierra un downloaded from labs fuseinteractive ca by guest jazmine mercer tierra uno dc the world has been

superman tierra uno vol 2 2a edición tapa dura - May 11 2023

web nueva tierra surgió después del big bang y poseía elementos de la historia de tierra uno junto con elementos similares a los de tierra dos tierra cuatro tierra s y tierra x

[superman tierra uno 2a edicion superman tierra un copy](#) - Nov 24 2021

web mar 1 2023 recognizing the artifice ways to get this ebook superman tierra uno 2a edicion superman tierra un is additionally useful you have remained in right site to

[superman tierra uno vol 1 2a edición fnac](#) - Jan 07 2023

web jan 8 2023 4730486 superman tierra uno 2a edicion superman tierra un 1 12 downloaded from robbinsmanuscripts berkeley edu on by guest superman tierra uno

superman tierra uno 2a edicion superman tierra un copy - May 31 2022

web 2 superman tierra uno 2a edicion superman tierra un 2023 06 20 superman tierra uno 2a edicion superman tierra un downloaded from labs fuseinteractive ca by guest

superman tierra 1 leer comics online - Oct 24 2021

superman tierra uno vol 01 segunda edición eccediciones - Jul 13 2023

web may 27 2015 ahora el guionista j michael straczynski ofrece la versión moderna del relato del único superviviente del planeta krypton y de su lucha por salvar a la

superman tierra uno 2a edicion superman tierra un pdf - Jul 01 2022

web publication superman tierra uno 2a edicion superman tierra un as with ease as review them wherever you are now the multiversity 1966 superman batman 2003 2011 53

[john deere model js40 walk behind mower parts greenpartstore](#) - Sep 21 2023

web john deere products john deere walk behind mower parts model js40 for a printable maintenance sheet for a js40 walk behind click here location of the product identification number serial number products 44 sort by 1 2 next page view all clean machine non stick mower protectant gv130 9

[service maintenance kits shop deere com john deere](#) - Dec 12 2022

web tis the season for john deere holiday gift guide stocking stuffers holiday decor more shop by recipient

john deere original equipment maintenance kit lg233 - May 17 2023

web dec 6 2022 john deere original equipment maintenance kit lg233 john deere maintenance kit with air filter pre cleaner spark plug quart of oil and drain hose models ja60 ja62 ja65 all with engine markings 12j802 2915 e2 or 12j802 1753 b1

[john deere lawn mower tune up kit mygreen farm](#) - Jun 06 2022

web air filter tune up kit for john deere l130 g110 g100

john deere js40 walk behind mower maintenance guide - Aug 20 2023

web good news is you can easily service your machine yourself using a john deere maintenance kit or service kits or by getting the specific john deere part needed to keep your john deere mower or tractor running for a long time these are the parts on your john deere js40 walk behind mower parts list that need to be regularly serviced

john deere 40 tune up kit steiner tractor parts - Mar 15 2023

web in stock ignition tune up kit allis chalmers replaces 451 autolite replaces 216 champion replaces h10 h12 jd industrial fits mi 440 fits john deere m mc mt 320 330 40 420 430 kit includes rotor points condenser spark plugs medium heat range for delco distributors thru 1963 spark plugs 14mm 7 16

john deere tune up kit al39540 greenpartstore - Jan 13 2023

web john deere tune up kit al39540 john deere tune up kit al39540

maintenance reminder sheet js40 greenpartstore - Jun 18 2023

web go to johndeerecredit com for john deere revolving credit to find your john deere credit home and workshop products john deere gifts go to johndeeregifts com to stop by john deere s general store finance solution 6 2 8 1 3 4 7 5 9 10 5 mulch cover kit gx22326 dealer name contact name dealer phone no

maintenance reminder sheet js60 js60h john deere - Apr 16 2023

web home maintenance kit unit kit number js60 js60h lg232 for engines 12h802 lg236 for engines 121602 parts needed in first 250 hours of operation qty part no item qty or capacity change interval in hours till 100 hours 5 ty22072 2 1 2 gal engine oil torq gard sae 30 0 47 l 16 oz for js60 0 59 l 20 oz for js60h 5

js40 carburetor replacement for john deere ja60 ja62 ja65 - Oct 10 2022

web sep 5 2018 sell on amazon js40 carburetor replacement for john deere ja60 ja62 ja65 js63 js63c js63e js40 js45 js60 js61 sp6211 sp6213 21 inch walk behind mower am130382 am134697 with gasket visit the anxingo store

john deere maintenance kit for js40 ja60 ja62 ja65 js60h - Oct 22 2023

web may 3 2017 this john deere home maintenance kit has the exact parts you need for convenient at home do it yourself service including filters oil and spark plug s fits a john deere js40 ja60 ja62 ja65 js60h js61 js63 js63c js63e sp6211 sp6213 walk behind mowers kit includes m147431 air filter 1 m143275 pre cleaner 1 m143270

amazon com john deere lg199 maintenance kit lawn mower - Apr 04 2022

web product description this john deere home maintenance kit has the exact parts you need for convenient at home do it yourself service including filters oil and spark plug s this kit fits a john deere l130 g100 g110 sabre 2554hv scotts gt2554hv 2002 and a scotts s2554 with a kohler engine kit contains am125424 oil filter 1 am116304

hipa mia11798 carburetor air filter tune up kit replacement for john - Feb 14 2023

web hipa mia11798 carburetor air filter tune up kit replacement for john deere js20 js25 js26 js28 js30 js36 js38 jm26 jm36
mowmentum walk behind lawn mower visit the hipa store 4 7 329 ratings currently unavailable we don t know when or
john deere 40 40c 40h 40s 40t 40u 40v 40w manual - Aug 08 2022

web the john deere tractor service manual jd s sm2013 fits the john deere 40 john deere 40c john deere 40t john deere 40s
john deere 40h john deere 40u john deere 40v john deere 40w always in stock so you can get it fast also available as a pdf
download jensales offers the finest in manuals parts and decals
arimain weingartz - Sep 09 2022

web john deere js40 21 in walk behind rotary mower pc9572 air cleaner engine mia11545 mia11554 zoom find parts for your
john deere air cleaner engine mia11545 mia11554 with our free parts lookup tool search easy to use diagrams and enjoy
same day shipping on standard john deere parts orders

hipa mia11798 carburetor air filter tune up kit replacement for john - Nov 11 2022

web hipa mia11798 carburetor air filter tune up kit replacement for john deere js20 js25 js26 js28 js30 js36 js38 jm26 jm36
mowmentum walk behind lawn mower amazon com au automotive
john deere tune up kit js40 pdf stage gapinc - Mar 03 2022

web 4 john deere tune up kit js40 2023 04 26 arm s length but the more lorna tried to avoid julius the more work brought
them together had her help wanted ad unexpectedly led to a man much more qualified for the position of her much beloved
husband tractor mac worth the wait diane publishing lek and giannis were married for ten

home maintenance kits lawn and garden parts john deere ca - Jul 07 2022

web home maintenance kits from john deere make it easy to tune up your machine yourself you ll get almost everything you
need in one convenient box including 2 quarts oil 1 oil filter 1 air filter 1 fuel filter air precleaner spark plugs s

john deere tune up kit js40 download only - May 05 2022

web john deere tune up kit js40 toyota tundra adds enhancements for 2024 model year toyota usa newsroom aug 30 2017
jalopnik spring tune up learn diy car maintenance and how jalopnik fine tuning bmr s new camber caster kit for 6th gen
camaros lsx magazine sep 30 2017

walk behind rotary mower john deere parts catalog - Jul 19 2023

web js40 walk behind mower pc9572 h 1 aug 23 1 3 walk behind rotary mower mp37108 a 1 21 inch walk behind rotary
mower js40 2006 model serial no gxjs40a010001 100000 2007 model serial no gxjs40a100001 999999 2007 model serial no
gxjs40b100001 999999 california specifications and design subject to

shkrim akademik pdf scribd - Jan 09 2023

web shkrim akademik cikl leksionesh dhe prmbledhje artikujsh prgatitn bernard zeneli sonila danaj tirana2006 shkrim

akademik cikl leksionesh dhe prmbledhje leximesh ditari paragrafi pikateplanit prfundimtare1 10 enots 10 enots 20 enots 10 enots 30 enots b prgatitjaebibliografis prfundimtare c

shkrimi akademik ligjerata 1 pdf scribd - May 01 2022

web 3 paragrafi ppt pllumkulludra leksion 4 format e komunikimit pptx leksion 4 format e komunikimit pptx uranik emini formati punim diplome mp formati punim diplome mp arjola 83899311 pergatitje per test shkrim akademik shkurte h rrahmani projekt propozimi projekt propozimi big bimma

llojet e paragrafeve shkrim akademik yumpu - Jul 15 2023

web jul 15 2013 paragrafët janë katër llojesh br tregues përshkrues br shpjegues br bindës br argumentes br 1 paragrafi tregues br tregohet një histori apo ngjarje nga jeta e br shkruesit br 2 fjalia kryesore br detajet interesante br

pdf shkrim akademik researchgate - Feb 10 2023

web jun 26 2020 shkrim akademik publisher kolegji universitar logos isbn 978 9928 4594 4 2 authors georgios gaitanos college university logos tirana durres abstract and figures the subject of the book is the

llojet e paragrafeve shkrim akademik yumpu - Aug 04 2022

web jul 15 2013 llojet e paragrafeve shkrim akademik xx english deutsch français español português italiano român nederlands latina dansk svenska norsk magyar bahasa indonesia türkçe suomi latvian lithuanian česk paragrafi shpjegues jepen shpjegime për një send ngjarje etj ose jepen informacione për to në të përfshihen fakte

essay yazimi ve bÖlÜmlerİ w o l a world of language - Feb 27 2022

web essay de daha öncede dediğimiz gibi 3 body paragraf vardı bu bodylerde kendi içinde bölümden oluşur body nin ilk paragrafi güçlü argümanlar kayda değer örnekler

llojet e paragrafeve shkrim akademik yumpu - Mar 31 2022

web jul 15 2013 page 15 and 16 paragrafi argumentues bindës shp page 17 and 18 jo duhanit duhani dëmton seriozish page 19 and 20 paragraf ese eseja është më e page 21 d m th gjatësia jep mundësi të magazine llojet e paragrafeve

llojet e paragrafeve home shkrim akademik - Aug 16 2023

web paragrafi hyrës paragrafi hyrës është shumë i rëndësishëm ai është një lloj pasaporte që e njeh lexuesin me idenë me qëllimin e shkrimit dhe çfarë do të shtjelloni më tej ndaj dhe duhet shkruar mirë duke treguar kujdes në formulim në mënyrë që të tërheq vëmendjen

shkrimi akademik leksione pdf scribd - Sep 05 2022

web shkrimi akademik modelohet përmes punëve të ndryshme me shkrim të cilat dallojnë qartë nga njera tjetra për karakteristikat strukturore dhe përmbajtësore që ato kanë në vetvete këtu është një listë e dokumenteve ku shkrimi akademik përdoret për qëllime të ndryshme akademike disa janë vetë shpjeguese dhe disa kanë

paragrafi shpjegues j yumpu - Jul 03 2022

web paragrafi shpjegues j paragrafi shpjegues jepen shpjegime për një send ngjarje etj ose jepen informacione për to në të

pdf pËrgatitje per test shkrim akademik academia edu - Dec 08 2022

web paragrafi eshte nje mendim i dhene i disa fjalive i cili pershkruan nje teme te caktuar ai zakonisht perbehe prej disa fjalive 3 5 10 etj llojet e paragrafit jane hyres zhvillues dhe perfundues parag shpjegues letrat etj

shkrim akademik ilir jashari - Nov 07 2022

web shkrim i lir eshte nje aktivitet qe e detyron shkrimtarin te hedhe diçka ne leter pa u menduar ese pershkruese ne ese pershkruese pershkruan nje ngjarje qe nuk e ke par pershembull pershkruan nje individ apo ndonje gje tjeter eseja pershkruese shkruhet ne veten e pare dhe te tret tezat ne esen pershkruese jane hyrja zhvillimi perfundimi

pergatitje per test shkrim akademik pdf scribd - Apr 12 2023

web prgatitje per test shkrim akademik 1 si bhet zhvillimi i ides 1 idet mund t zhvillohen duke lexuar duke u menduar n formn e logjikshme dhe duke vjedhur zanat pra kur t fillojm t lexojm nuk duhet t hjekim logjiken 2 faktort e hulumtimit 2 faktort e hulumtimit studimet bhen n tavolin informimi kush do ta zgjedh problemin dhe

te shkruarit akademik ide koncepte modele academia edu - Dec 28 2021

web teksti është konceptuar në tri pjesë 1 natyra e të shkruarit akademik 2 lloje të ndryshme shkrimesh akademike dhe 3 rëndësia e njohurive drejtshkrimore në të shkruarin akademik

llojet e paragrafeve shkrim akademik yumpu - May 13 2023

web llojet e paragrafeve shkrim read more about ishte mund edhe duhet ngjarje and vend

paragrafi dhe llojet pdf scribd - Jun 14 2023

web paragrafi eshte pjesa perqendruese e nje teksti te shkurter paragrafet jane kater llojesh tregues pershkrues shpjegues bindes paragrafi pershkrues pershkruan nje objekt person vend ose ngjarje paragrafi shpjegues shpjegon nje send ngjarje etj ose jep informacion ne te perfshihen faktet qe i nevojiten lexuesit per ta kuptuar subjektin

necmettin erbakan Üniversitesi ders bilgi paketi akademik yazım - Jun 02 2022

web akademik yazım denemelerinde açık anlaşılır ve tutarlı bir u slup kullanır akademik yazım denemelerinde konusunu ve bakış açısını ifade eden bir paragrafla yazısına başlar akademik yazım denemelerinin gelişme bölü mü nde fikirlerini destekleyecek açıklamalar yapar akademik metni oluşturan her bir paragrafta

shkrim akademik pdf scribd - Mar 11 2023

web 83899311 pergatitje per test shkrim akademik 83899311 pergatitje per test shkrim akademik shkurte h rrahmani mendësia e sukseshme e udhëheqësve të mëdhenj nuk janë paratë paragrafi dhe llojet xhen gërxhaliu hyseni skripta shkrimi akademik skripta shkrimi akademik besart xhaferi permbledhje e leksionit 4 permbledhje e

Ilojet e paragrafeve shkrim akademik yumpu - Oct 06 2022

web jul 15 2013 fjalia mbyllëse br duke gatuar me br gjyshen br gjyshja dhe unë kënaqeshim br shumë kur gatuanim në kopshtin br prapa shtëpisë në fillim br mbushnim kutitë bosh të kosit me br shkopinj të vegjël dhe me të gjitha br

shkrimi akademik pdf scribd - Jan 29 2022

web paragrafi është pjesë e përqendruar e një mesazhi të shkurtër shkrimor paragrafi i shkruar mirë duhet të përmbajë disa tipare të veçanta së pari paragrafi duhet të jetë i njëjtësuar të ketë unitet paragrafi i mirë duhet të ketë një mendim një qëllim