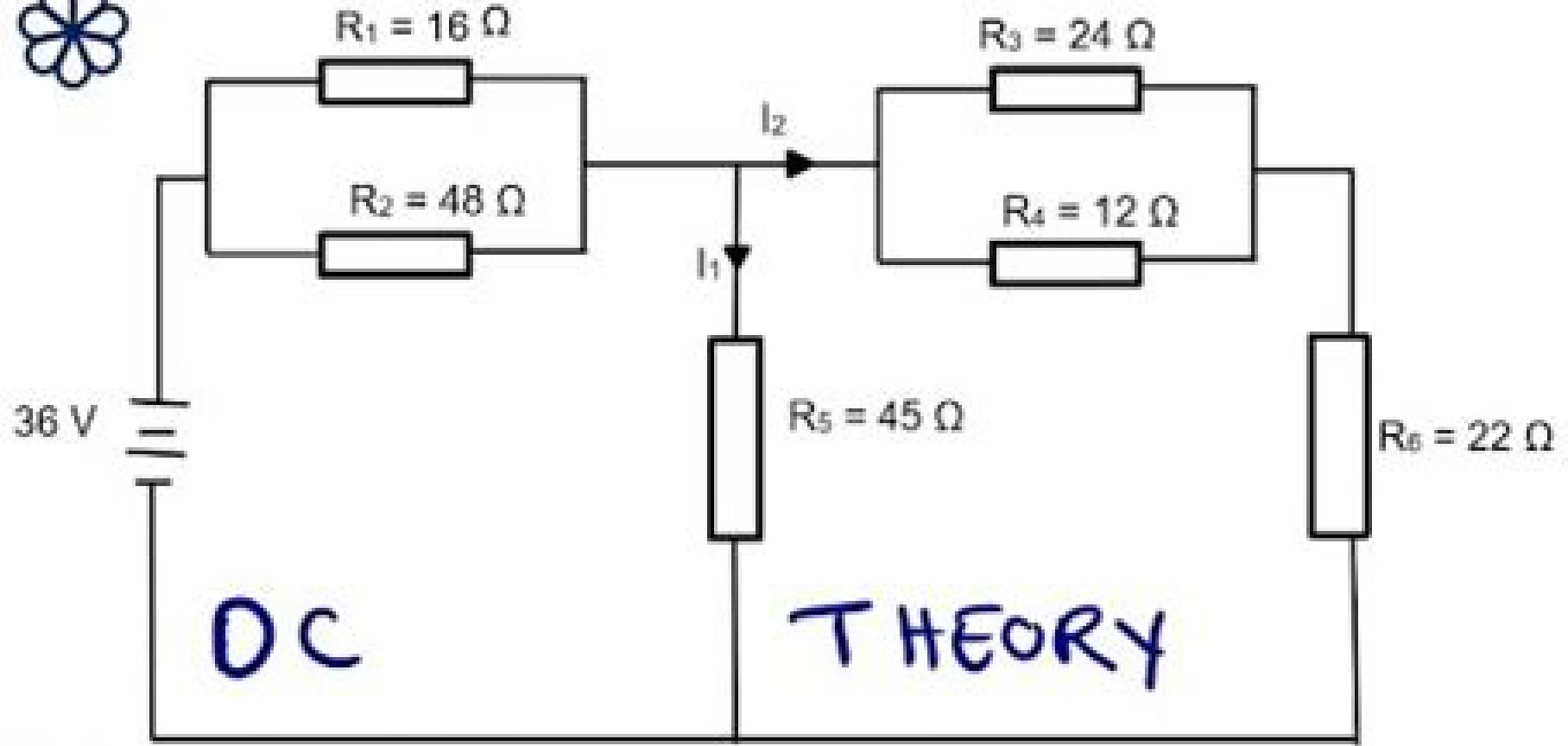


INDUSTRIAL ELECTRONICS N2

QUESTION 1

JUNE 2022



Referring to the circuit above, determine the following:

N2 Direct Theory Questions

Sir Tarun Rupani



N2 Direct Theory Questions:

CBSE Class 11 Chemistry Chapterwise Question Bank for 2026 Exam | As Per Latest NCERT Syllabus Nodia,2025-07-18

This CBSE Class 11 Chemistry Chapter wise Question Bank 2026 Edition is meticulously prepared according to the latest CBSE and NCERT Class 11 Chemistry syllabus ensuring complete and exam oriented preparation All chapters are systematically arranged to strengthen conceptual clarity numerical problem solving and chemical understanding The book includes all key CBSE Chemistry question types such as objective questions Assertion Reason and Match the Following very short short long answer case based and NCERT textbook questions with detailed solutions Each question is supported with clear step by step explanations making this Class 11 Chemistry question bank an ideal resource for CBSE exams 2026 and a strong foundation for Class 12 Chemistry JEE and NEET preparation

THEORY AND METHODS OF SURVEY SAMPLING, SECOND EDITION MUKHOPADHYAY, PARIMAL,2008-12-19 This is a comprehensive exposition of survey sampling useful both to the students of statistics for the course on sample survey and to the survey statisticians and practitioners involved in consultancy services marketing opinion polls and so on The text offers updated review of difficult classical techniques of survey sampling besides covering prediction theoretic approach of survey sampling and nonsampling errors NEW TO THIS EDITION Two new chapters Nonparametric Methods of Variance Estimation Chapter 19 and Analysis of Complex Surveys Chapter 20 have been added These would greatly benefit the readers KEY FEATURES Covers concepts of unequal probability sampling Provides problems of making inference from finite population using tools of classical inference Describes nonsampling errors including Randomised Response Techniques Gives over 70 worked out examples and more than 120 problems and solutions Supplies live data from India and Sweden in examples and exercises What the Reviewer says This is a very comprehensive modern text on survey sampling with a strong slant towards theoretical results The book is an excellent reference book and would be a good graduate level sampling text for a course with an emphasis on sampling theory JESSE C ARNOLD Virginia Polytechnic Institute and State University

Marine Pelagic Cyanobacteria: Trichodesmium and other Diazotrophs E.J. Carpenter,D.G. Capone,2013-03-09 Planktonic marine cyanobacteria are abundant and significant in the biogeochemistry of the sea This volume focuses on the filamentous cyanobacteria particularly those in the genus Trichodesmium which are common in tropical and subtropical seas A portion of this book also concerns bloom forming cyanobacteria in the Baltic Sea area Filamentous cyanobacteria are important as primary producers and for the fixation of atmospheric nitrogen and thus are significant in global cycling of both of these elements In recent years through the application of new techniques and intensive multi disciplinary research programs progress has been made in understanding both the biology of these cyanobacteria and their place in the marine food web A broad range of topics is covered in this book ranging from molecular biology physiology ultrastructure enzyme localization toxicology remote sensing buoyancy herbivory and the ecology of these organisms in the marine food web This volume is an outgrowth of a NATO sponsored meeting held

in May 1991 in Bamberg Germany and represents the latest synthesis on these marine phytoplankters

Object-Oriented Behavioral Specifications Haim Kilov, William Harvey, 2007-08-20 Object Oriented Behavioral Specifications encourages builders of complex information systems to accelerate their move to using the approach of a scientific discipline in analysis rather than the approach of a craft The focus is on understanding customers needs and on precise specification of understanding gained through analysis Specifications must bridge any gaps in understanding about business rules among customers Subject Matter Experts and computer people must inform decisions about reuse of software and systems and must enable review of semantics over time Specifications need to describe semantics rather than syntax and to do that in an abstract and precise manner in order to create software systems that satisfy business rules The papers in this book show various ways of designing elegant and clear specifications which are reusable lead to savings of intellectual effort time and money and which contribute to the reliability of software and systems Object Oriented Behavioral Specifications offers a fresh treatment of the object oriented paradigm by examining the limitations of traditional OO methodologies and by describing the significance of competing trends in OO modeling The book builds on four years of successful OOPSLA workshops 1991 1995 on behavior semantics This book deals with precise specifications of what is accomplished by the business and what is to be done by a system The book includes descriptions of successful use of abstract and precise specification in industry It draws on the experience of experts from industrial and academic settings and benefits from international participation Collective behavior neglected in some treatment of the OO paradigm is addressed explicitly in this book The book does not take reuse of specifications or software for granted but furnishes a foundation for taking as rigorous an approach to reuse decisions as to precise specifications in original developments

Gasdynamics of Explosions and Reactive Systems A. K. Oppenheim, 2013-10-22 Gas Dynamics of Explosions and Reactive Systems documents the proceedings of the 6th Colloquium held at the Royal Institute of Technology in Stockholm Sweden 22-26 August 1977 The meeting was held under the auspices of the Royal Swedish Academy of Sciences and the International Academy of Astronautics The scientific program included over one hundred papers The contributions in this volume are organized into four parts Part I contains papers on gaseous detonations It covers topics such as theoretical model of a detonation cell spherical detonations in hydrocarbon air mixtures and shock wave propagation in tubes filled with water foams Part II presents studies on explosions such as the detonation of hydrogen azide and propagation of a laser supported detonation wave Part III examines condensed phase detonations It includes papers on the mechanism of the divergent and convergent dark waves originating at the charge boundary in detonating liquid homogeneous explosives with unstable detonation front and initiation studies in sensitized nitromethane Part IV presents discussions on turbulent detonations covering topics such as the computational aspects of turbulent combustion and problems and techniques in turbulent reactive systems

The Impact of Microorganisms on Consumption of Atmospheric Trace Gases Steffen Kolb, Marcus A. Horn, J. Colin Murrell, Claudia

Knief,2017-11-29 Gases with a mixing ratio of less than one percent in the lower atmosphere i e the troposphere are considered as trace gases Numerous of these trace gases originate from biological processes in marine and terrestrial ecosystems These gases are of relevance for the climate as they contribute to global warming or to the troposphere s chemical reactive system that builds the ozone layer or they impact on the stability of aerosols greenhouse and pollutant gases These reactive trace gases include methane a multitude of volatile organic compounds of biogenic origin bVOCs and inorganic gases such as nitrogen oxides or ozone The regulatory function of microorganisms for trace gas cycling has been intensively studied for the greenhouse gases nitrous oxide and methane but is less well understood for microorganisms that metabolize molecular hydrogen carbon monoxide or bVOCs The studies compiled this Research Topic reflect this very well While a number of articles focus on nitrous oxide and methane or carbon monoxide oxidation only a few articles address conversion processes of further bVOCs The Research Topic is complemented by three review articles about the consumption of methane and monoterpenes as well as the role of the phyllosphere as a particular habitat for trace gas consuming microorganisms and point out future research directions in the field The presented scientific work illustrates that the field of microbial regulation of trace gas fluxes is still in its infancy when one broadens the view on gases beyond methane and nitrous oxide However there is a societal need to better predict global dynamics of trace gases that impact on the functionality and warming of the troposphere Upcoming modelling approaches will need further information on process rates features and distribution of the driving microorganisms to fulfill this demanding task

Educart ICSE Class 10 One-shot Question Bank 2026 Chemistry (strictly for 2025-26 boards) Sir Tarun Rupani,2025-07-12 Fast track your Chemistry revision with this exam ready resource This One shot Question Bank by Sir Tarun Rupani is designed to help ICSE Class 10 students revise the complete Chemistry syllabus quickly and thoroughly It simplifies theory boosts numerical accuracy and ensures strong exam practice all aligned with the 2025 26 ICSE syllabus Key Features Strictly Based on ICSE 2025 26 Curriculum Complete chapter coverage including Periodic Table Chemical Bonding Acid Base Organic Chemistry and more One shot Format Each chapter includes concise concept notes chemical equations reactions and key diagrams for quick recall Complete Coverage of Question Types Includes objective short long answers equation based numerical and reasoning questions Chapterwise PYQs Included Practice with previous years ICSE board questions to understand trends and improve retention Solved Answers in ICSE Format Clear well structured solutions using proper units chemical symbols and balanced equations Smart Revision Focus Special tips to avoid common mistakes in writing reactions balancing equations and attempting numericals Why Choose This Book This Chemistry One shot by Sir Tarun Rupani is built for smart preparation whether you re revising at the last minute or practising throughout the term It helps you approach each question with clarity confidence and the precision needed to score high in the 2026 ICSE board exam

Mathematical Questions and Solutions in Continuation of the Mathematical Columns of "the Educational Times" ,1883 Mathematical Questions with Their

Solutions ,1882 *Journal American Chemical Society*,2004 **The Cultivator & Country Gentleman** ,1881 Atomic Theories F. H. Loring,1921 **PROCEEINGS OF THE NATIONAL ACADEMY OF SCIENCES OF THE UNITED STATES OF AMERICA** , **Chemical News and Journal of Physical Science** William Crookes,James H. Gardiner,Gerald Druce,H. W. Blood-Ryan,1888 Mathematical Questions and Solutions, from the "Educational Times." ,1883 **Proceedings of the National Academy of Sciences of the United States of America** National Academy of Sciences (U.S.),1915 The Proceedings of the National Academy of Sciences PNAS publishes research reports commentaries reviews colloquium papers and actions of the Academy PNAS is a multidisciplinary journal that covers the biological physical and social sciences **On the Quantum Theory of Line-spectra** Niels Bohr,1918 **A Comprehensive Treatise on Inorganic and Theoretical Chemistry** Joseph William Mellor,1928 *Supplement to Mellor's Comprehensive Treatise on Inorganic and Theoretical Chemistry: suppl. 1, pt. 1. N* Joseph William Mellor,1928 **The Engineer** ,1891

As recognized, adventure as without difficulty as experience more or less lesson, amusement, as competently as bargain can be gotten by just checking out a books **N2 Direct Theory Questions** with it is not directly done, you could agree to even more something like this life, in relation to the world.

We meet the expense of you this proper as competently as simple habit to get those all. We have enough money N2 Direct Theory Questions and numerous book collections from fictions to scientific research in any way. accompanied by them is this N2 Direct Theory Questions that can be your partner.

https://auld.rmjm.com/data/book-search/index.jsp/The_British_Campaign_In_France_And_Flanders_1914.pdf

Table of Contents N2 Direct Theory Questions

1. Understanding the eBook N2 Direct Theory Questions
 - The Rise of Digital Reading N2 Direct Theory Questions
 - Advantages of eBooks Over Traditional Books
2. Identifying N2 Direct Theory Questions
 - Exploring Different Genres
 - Considering Fiction vs. Non-Fiction
 - Determining Your Reading Goals
3. Choosing the Right eBook Platform
 - Popular eBook Platforms
 - Features to Look for in an N2 Direct Theory Questions
 - User-Friendly Interface
4. Exploring eBook Recommendations from N2 Direct Theory Questions
 - Personalized Recommendations
 - N2 Direct Theory Questions User Reviews and Ratings
 - N2 Direct Theory Questions and Bestseller Lists
5. Accessing N2 Direct Theory Questions Free and Paid eBooks

- N2 Direct Theory Questions Public Domain eBooks
 - N2 Direct Theory Questions eBook Subscription Services
 - N2 Direct Theory Questions Budget-Friendly Options
6. Navigating N2 Direct Theory Questions eBook Formats
 - ePub, PDF, MOBI, and More
 - N2 Direct Theory Questions Compatibility with Devices
 - N2 Direct Theory Questions Enhanced eBook Features
 7. Enhancing Your Reading Experience
 - Adjustable Fonts and Text Sizes of N2 Direct Theory Questions
 - Highlighting and Note-Taking N2 Direct Theory Questions
 - Interactive Elements N2 Direct Theory Questions
 8. Staying Engaged with N2 Direct Theory Questions
 - Joining Online Reading Communities
 - Participating in Virtual Book Clubs
 - Following Authors and Publishers N2 Direct Theory Questions
 9. Balancing eBooks and Physical Books N2 Direct Theory Questions
 - Benefits of a Digital Library
 - Creating a Diverse Reading Collection N2 Direct Theory Questions
 10. Overcoming Reading Challenges
 - Dealing with Digital Eye Strain
 - Minimizing Distractions
 - Managing Screen Time
 11. Cultivating a Reading Routine N2 Direct Theory Questions
 - Setting Reading Goals N2 Direct Theory Questions
 - Carving Out Dedicated Reading Time
 12. Sourcing Reliable Information of N2 Direct Theory Questions
 - Fact-Checking eBook Content of N2 Direct Theory Questions
 - Distinguishing Credible Sources
 13. Promoting Lifelong Learning
 - Utilizing eBooks for Skill Development

- Exploring Educational eBooks
- 14. Embracing eBook Trends
 - Integration of Multimedia Elements
 - Interactive and Gamified eBooks

N2 Direct Theory Questions Introduction

In today's digital age, the availability of N2 Direct Theory Questions books and manuals for download has revolutionized the way we access information. Gone are the days of physically flipping through pages and carrying heavy textbooks or manuals. With just a few clicks, we can now access a wealth of knowledge from the comfort of our own homes or on the go. This article will explore the advantages of N2 Direct Theory Questions books and manuals for download, along with some popular platforms that offer these resources. One of the significant advantages of N2 Direct Theory Questions books and manuals for download is the cost-saving aspect. Traditional books and manuals can be costly, especially if you need to purchase several of them for educational or professional purposes. By accessing N2 Direct Theory Questions versions, you eliminate the need to spend money on physical copies. This not only saves you money but also reduces the environmental impact associated with book production and transportation. Furthermore, N2 Direct Theory Questions books and manuals for download are incredibly convenient. With just a computer or smartphone and an internet connection, you can access a vast library of resources on any subject imaginable. Whether you're a student looking for textbooks, a professional seeking industry-specific manuals, or someone interested in self-improvement, these digital resources provide an efficient and accessible means of acquiring knowledge. Moreover, PDF books and manuals offer a range of benefits compared to other digital formats. PDF files are designed to retain their formatting regardless of the device used to open them. This ensures that the content appears exactly as intended by the author, with no loss of formatting or missing graphics. Additionally, PDF files can be easily annotated, bookmarked, and searched for specific terms, making them highly practical for studying or referencing. When it comes to accessing N2 Direct Theory Questions books and manuals, several platforms offer an extensive collection of resources. One such platform is Project Gutenberg, a nonprofit organization that provides over 60,000 free eBooks. These books are primarily in the public domain, meaning they can be freely distributed and downloaded. Project Gutenberg offers a wide range of classic literature, making it an excellent resource for literature enthusiasts. Another popular platform for N2 Direct Theory Questions books and manuals is Open Library. Open Library is an initiative of the Internet Archive, a non-profit organization dedicated to digitizing cultural artifacts and making them accessible to the public. Open Library hosts millions of books, including both public domain works and contemporary titles. It also allows users to borrow digital copies of certain books for a limited period, similar to a library lending system. Additionally, many universities and educational institutions

have their own digital libraries that provide free access to PDF books and manuals. These libraries often offer academic texts, research papers, and technical manuals, making them invaluable resources for students and researchers. Some notable examples include MIT OpenCourseWare, which offers free access to course materials from the Massachusetts Institute of Technology, and the Digital Public Library of America, which provides a vast collection of digitized books and historical documents. In conclusion, N2 Direct Theory Questions books and manuals for download have transformed the way we access information. They provide a cost-effective and convenient means of acquiring knowledge, offering the ability to access a vast library of resources at our fingertips. With platforms like Project Gutenberg, Open Library, and various digital libraries offered by educational institutions, we have access to an ever-expanding collection of books and manuals. Whether for educational, professional, or personal purposes, these digital resources serve as valuable tools for continuous learning and self-improvement. So why not take advantage of the vast world of N2 Direct Theory Questions books and manuals for download and embark on your journey of knowledge?

FAQs About N2 Direct Theory Questions Books

How do I know which eBook platform is the best for me? Finding the best eBook platform depends on your reading preferences and device compatibility. Research different platforms, read user reviews, and explore their features before making a choice. Are free eBooks of good quality? Yes, many reputable platforms offer high-quality free eBooks, including classics and public domain works. However, make sure to verify the source to ensure the eBook credibility. Can I read eBooks without an eReader? Absolutely! Most eBook platforms offer webbased readers or mobile apps that allow you to read eBooks on your computer, tablet, or smartphone. How do I avoid digital eye strain while reading eBooks? To prevent digital eye strain, take regular breaks, adjust the font size and background color, and ensure proper lighting while reading eBooks. What the advantage of interactive eBooks? Interactive eBooks incorporate multimedia elements, quizzes, and activities, enhancing the reader engagement and providing a more immersive learning experience. N2 Direct Theory Questions is one of the best book in our library for free trial. We provide copy of N2 Direct Theory Questions in digital format, so the resources that you find are reliable. There are also many Ebooks of related with N2 Direct Theory Questions. Where to download N2 Direct Theory Questions online for free? Are you looking for N2 Direct Theory Questions PDF? This is definitely going to save you time and cash in something you should think about. If you trying to find then search around for online. Without a doubt there are numerous these available and many of them have the freedom. However without doubt you receive whatever you purchase. An alternate way to get ideas is always to check another N2 Direct Theory Questions. This method for see exactly what may be included and adopt these ideas to your book. This site will almost certainly help you save time

and effort, money and stress. If you are looking for free books then you really should consider finding to assist you try this. Several of N2 Direct Theory Questions are for sale to free while some are payable. If you arent sure if the books you would like to download works with for usage along with your computer, it is possible to download free trials. The free guides make it easy for someone to free access online library for download books to your device. You can get free download on free trial for lots of books categories. Our library is the biggest of these that have literally hundreds of thousands of different products categories represented. You will also see that there are specific sites catered to different product types or categories, brands or niches related with N2 Direct Theory Questions. So depending on what exactly you are searching, you will be able to choose e books to suit your own need. Need to access completely for Campbell Biology Seventh Edition book? Access Ebook without any digging. And by having access to our ebook online or by storing it on your computer, you have convenient answers with N2 Direct Theory Questions To get started finding N2 Direct Theory Questions, you are right to find our website which has a comprehensive collection of books online. Our library is the biggest of these that have literally hundreds of thousands of different products represented. You will also see that there are specific sites catered to different categories or niches related with N2 Direct Theory Questions So depending on what exactly you are searching, you will be able to choose ebook to suit your own need. Thank you for reading N2 Direct Theory Questions. Maybe you have knowledge that, people have search numerous times for their favorite readings like this N2 Direct Theory Questions, but end up in harmful downloads. Rather than reading a good book with a cup of coffee in the afternoon, instead they juggled with some harmful bugs inside their laptop. N2 Direct Theory Questions is available in our book collection an online access to it is set as public so you can download it instantly. Our digital library spans in multiple locations, allowing you to get the most less latency time to download any of our books like this one. Merely said, N2 Direct Theory Questions is universally compatible with any devices to read.

Find N2 Direct Theory Questions :

the british campaign in france and flanders 1914

the care of patients perspectives and practices

the builders

the campus life guide to surviving high school

the cambridge of lesser poets

the burning boys

the brambly hedge birthday

the bush a guide to the vegetated landscapes of australia

the business of being a contractor applying sanity to the procurement life cycle

the calm technique meditation without magic or mysticism

the breakthrough mammal taxidermy manual

the canary and other tales of martial law

the care of the aged

the canadian economy and its problems

the building of a university

N2 Direct Theory Questions :

une semaine de bonté a surrealistic novel in collage - Feb 08 2023

web 2 2 une semaine de bonte a surrealistic novel in colla 2023 08 11 in england and scotland from the 1830s and 1840s to the end of the century some of them

une semaine de bonte semaine de bonte a surrealistic novel - Dec 26 2021

web dec 9 2022 65 likes tiktok video from armand balanze armandbalanze max ernst semaine de bonté illustrations of a surrealistic novel culturetok arttok max ernst

une semaine de bonté a surrealistic novel in collage - Dec 06 2022

web une semaine de bonte a surrealistic novel in collage isbn 9780486232522 0486232522 by ernst max buy sell or rent this book for the best price compare prices

une semaine de bonte a surrealistic novel in collage max - Feb 25 2022

web achat vérifié il s agit d un ouvrage relevant des beaux arts il comprend l intégralité de l œuvre intitulée une semaine de bonté réalisée par max ernst initialement publiée en

une semaine de bonté a surrealistic novel in collage - Mar 29 2022

web buy une semaine de bonte semaine de bonte a surrealistic novel in collage a surrealistic novel in collage by max ernst online at alibris we have new and used

une semaine de bonte a surrealistic novel in collage - Aug 22 2021

une semaine de bonte a surrealistic novel in collage - Aug 14 2023

une semaine de bonté a week of kindness is a collage novel and artist s book by max ernst first published in 1934 it comprises 182 images created by cutting up and re organizing illustrations from victorian encyclopedias and novels

une semaine de bonte a surrealistic novel in colla pdf - Nov 05 2022

web une semaine de bonte a surrealistic novel in colla downloaded from ftp bonide com by guest tate deacon violence against women in max ernst s une semaine de bonté

une semaine de bonte a surrealistic novel in colla paul willems - Apr 29 2022

web jul 3 2022 une semaine de bonte a surrealistic novel in collage customer reviews positive reviews katherine beautiful surrealist imagery three stars sign in to filter

amazon com customer reviews une semaine de bonte a - Jan 27 2022

web une semaine de bonte a surrealistic novel in collage max ernst world in a classroom language in education in britain and canada multilingual matters angela

une semaine de bonte a surrealistic novel in collage max ernst - Oct 24 2021

une semaine de bonte a surrealistic novel in colla copy - Aug 02 2022

web une semaine de bonte a surrealistic novel in colla is available in our book collection an online access to it is set as public so you can download it instantly

une semaine de bonté a surrealistic novel in collage - Apr 10 2023

web from the back cover one of the clandestine classics of our century the new york times this is the legendary collage masterpieces of max ernst b 1891 one of the leading

une semaine de bonté wikipedia - Jul 13 2023

web one of the clandestine classics of our century the new york timesthis is the legendary collage masterpieces of max ernst b 1891 one of the leading figures of the

une semaine de bonté a surrealistic novel in collage - May 11 2023

web une semaine de bonté a surrealistic novel in collage inproceedings ernst1976unesd title une semaine de bont e a surrealistic novel in collage author max ernst

une semaine de bonte a surrealistic novel in collage - Sep 03 2022

web oct 9 2022 find many great new used options and get the best deals for une semaine de bonté a surrealistic novel in collage max ernst first edition at the best

une semaine de bonté a surrealistic novel in collage dover - Jun 12 2023

web une semaine de bonté a surrealistic novel in collage authors max ernst author stanley appelbaum translator summary divided into seven parts one for each day

une semaine de bonte a surrealistic novel in colla pdf - Jul 01 2022

web une semaine de bonté a surrealistic novel in collage dover publications 1976 1 issue

semaine de bonte ernst max appelbau amazon fr livres - Nov 24 2021

web jan 1 1976 amazon com une semaine de bonte a surrealistic novel in collage ernst max illus by the author books

une semaine de bonté a surrealistic novel in collage - Mar 09 2023

web une semaine de bonté is divided into seven parts one for each day of the week with each section illustrating one of ernst s seven deadly elements oedipus the court of the

une semaine de bonté a surrealistic novel in collage ebay - May 31 2022

web jan 23 2009 find many great new used options and get the best deals for une semaine de bonte a surrealistic novel in collage max ernst at the best online prices at

une semaine de bonte a surrealistic novel in collage abebooks - Oct 04 2022

web kindly say the une semaine de bonte a surrealistic novel in colla is universally compatible with any devices to read histoire naturelle max ernst 1972 the esoteric secrets of

max ernst semaine de bonté illustrations of a surrealistic novel - Sep 22 2021

une semaine de bonte a surrealistic novel in collage - Jan 07 2023

web une semaine de bonte a surrealistic novel in collage ernst max published by dover publications 1976 isbn 10 0486232522 isbn 13 9780486232522 new softcover

peanuts ultimate holiday collection boxed set ultimate edition - Sep 04 2022

web everyones favorite peanuts holiday titles all in one set with the all new deluxe editions all the content including ec and bonus episodes from the following new peanuts deluxe edition releases it s the great pumpkin charlie brown a charlie brown thanksgiving and a charlie brown christmas

peanuts holiday box set rp minis amazon com - Nov 06 2022

web sep 28 2010 this special edition box set contains four miniature 2 3 4 x 3 1 4 128 page paperback editions of some of our best selling peanuts titles featuring text and art from four holiday time peanuts tv specials book recommendations author interviews editors picks and more read it now

peanuts holiday mini book box set game hobby zone - Jan 28 2022

web relive the classic moments from the peanuts holiday television specials and spend halloween thanksgiving christmas and valentine s day with the peanuts gang this special edition box set contains four 128 page miniature paperback editions of some of peanuts best selling titles featuring text and art from four holi

peanuts holiday collection it s the great pumpkin charlie brown - Jun 13 2023

web this dvd box set features three classic peanuts holiday themed tv specials including a charlie brown christmas it s the

great pumpkin charlie brown and it s a charlie brown thanksgiving separate dvd box for each special plus each disc contains a bonus tv special and a short documentary

peanuts deluxe holiday collection ultimate collector s edition - Aug 15 2023

web celebrate the holidays with the peanuts deluxe holiday collection ultimate collector s edition blu ray box dvd set peanuts deluxe holiday collection ultimate collector s edition includes a collectible peanuts snowglobe and 3 window clings share the holidays with snoopy linus lucy and of course charlie brown in this collection of

[peanuts holiday anniversary coll dvd amazon com](#) - May 12 2023

web nov 15 2016 peanuts holiday anniversary collection dvd celebrate the holidays with these timeless peanuts classics crashed this party good grief you can t help but have a happy halloween a charlie brown thanksgiving two slices of toast a handful of jellybeans some pretzels not quite what comes to mind when

peanuts classic holiday collection gift set dvd 2000 3 disc set - Apr 30 2022

web this collection of peanuts holiday classics includes it s the great pumpkin charlie brown a charlie brown thanksgiving and a charlie brown christmas see individual titles for details show more show less all

[peanuts holiday collection best buy](#) - Jul 02 2022

web oct 2 2012 the peanuts holiday collection 4k ultra hd blu ray sku 6109513 release date 10 10 2017 439 advertisement [peanuts holiday collection standard box set deluxe edition](#) - Jan 08 2023

web find many great new used options and get the best deals for peanuts holiday collection standard box set deluxe edition bonus cd dvd at the best online prices at ebay free shipping for many products

[peanuts holiday collection 4k blu ray unboxing review](#) - Jun 01 2022

web oct 5 2017 18 8k subscribers unboxing and reviewing the peanuts holiday collection on blu ray 4k ultra hd uhd available on amazon amzn to 2y3qx7p this movie has been given to me by warner bros

peanuts holiday box set english hardcover schulz charles - Dec 27 2021

web relive the classic moments from the peanuts holiday television specials and spend halloween thanksgiving christmas and valentines day with the peanuts gang this special edition box set contains four 128 page paperback editions of some of our best selling peanuts titles featuring text and art from four holiday time peanuts tv specials

peanuts holiday box set rp minis by charles m schulz goodreads - Mar 30 2022

web sep 28 2010 relive the classic moments from the peanuts holiday television specials and spend halloween thanksgiving christmas and valentine s day with the peanuts gang this special edition box set contains four miniature 2 3 4 x 3 1 4 128 page paperback editions of some of our best selling peanuts titles featuring text and art from

peanuts holiday collection box set review youtube - Feb 26 2022

web filmed today may 25th 2020 this is a review of the peanuts holiday collection box set which includes a charlie brown christmas 1965 it s the great

[peanuts holiday collection dvd 2012 3 disc set deluxe edition ebay](#) - Feb 09 2023

web find many great new used options and get the best deals for peanuts holiday collection dvd 2012 3 disc set deluxe edition at the best online prices at ebay free shipping for many products sale the cosby show complete dvd tv series box set seasons 1 8 brand new 28 18 trending at 29 79 ant man and the wasp quantumania blu

peanuts holiday collection box set blu ray gruv - Oct 05 2022

web everyones favorite peanuts holiday titles all in one set with the all new deluxe editions all the content including ec and bonus episodes from the following new peanuts deluxe edition releases its the great pumpkin charlie brown a charlie brown thanksgiving a charlie brown christmas

[peanuts holiday collection 4k blu ray deluxe edition](#) - Dec 07 2022

web warner bros home entertainment has officially announced that it will release on 4k blu ray peanuts holiday collection the 4k set will be available for purchase on october 10 north america

peanuts 70th anniversary holiday blu ray collection comes in - Aug 03 2022

web aug 5 2019 peanuts 70th anniversary holiday collection limited edition will retail for 99 99 srp 141 00 in canada celebrate the holidays with charlie brown snoopy sally lucy linus peppermint patty

[peanuts 70th anniversary holiday collection blu ray unboxing](#) - Apr 11 2023

web i unbox and review show my peanuts 70th anniversary holiday collection blu ray get yours here link to the box set collection affiliate amzn to 3

peanuts ultimate holiday collection boxed set ultimate edition - Mar 10 2023

web nov 16 2010 buy peanuts ultimate holiday collection blu ray boxed set ultimate edition with dvd full frame at cvideo com movies tv holiday christmas animated 883929141104

peanuts holiday collection dvd amazon com - Jul 14 2023

web oct 2 2012 peanuts deluxe holiday collection is a new dvd set featuring the three main holiday peanuts cartoons that are each a classic and cherished by millions of adults and kids alike the set is remastered and each special is in their own dvd case and comes housed in a cardboard box with art work

solution of operational amplifier linear integrated circuits 6th - Jan 29 2022

web oct 27 2016 solution of operational amplifier linear integrated circuits 6th edition by coughlin download as a pdf or view online for free

an 20 an applications guide for op amps rev c texas instruments - Oct 06 2022

web the general utility of the operational amplifier is derived from the fact that it is intended for use in a feedback loop whose feedback properties determine the feed forward characteristics of the amplifier and loop combination to suit it for this usage the ideal operational amplifier would have infinite input

operational amplifiers theory and practice roberge - Jun 02 2022

web may 12 2022 in this series of lectures we introduce the analytical concepts that underlie classical feedback system design the application of these concepts is illustrated by a variety of experiments and demonstration systems the diversity of the demonstration systems reinforces the value of the analytic methods front matter

design with operational amplifiers and analog integrated issuu - Sep 05 2022

web may 8 2018 design with operational amplifiers and analog integrated circuits 4th edition sergio franco solutions manual full file at

solutions manual for design with operational amplifiers and scribd - Mar 11 2023

web solutions manual for design with operational amplifiers and analog integrated circuits 4th edition by sergio franco pdf free download as pdf file pdf text file txt or read online for free

solutions manual operational amplifiers and linear integrated - Aug 16 2023

web solutions manual operational amplifiers and linear integrated circuits third edition author robert f coughlin publisher prentice hall 1987 isbn 0136379761 9780136379768 length 25 pages export citation bibtex endnote refman

operational amplifiers linear integrated circuits lab manual - Dec 08 2022

web it covers the theory and application of operational amplifiers and other linear integrated circuits exercises include discrete differential amplifier analysis inverting non inverting and differential configurations frequency response slew rate dc offset ota oscillators linear regulator function synthesis active filters and

solutions for operational amplifiers linear integrated - Jun 14 2023

web step by step video answers explanations by expert educators for all operational amplifiers linear integrated circuits theory and application 3rd by james m fiore only on numerade com

book laboratory manual operational amplifiers and linear integrated - Jul 15 2023

web mar 22 2021 book laboratory manual operational amplifiers and linear integrated circuits fiore james m fiore mohawk valley community college front matter 1 decibels and bode plots 2 the differential amplifier 3 the op amp comparator 4 the non inverting voltage amplifier

handbook of operational amplifier applications rev b - May 13 2023

web the operational amplifier is treated as a circuit component inherently subject to certain rules of operation the design of the operational amplifiers themselves is considered only when necessary to describe their less evident properties

design with operational amplifiers and analog integrated - Nov 07 2022

web unlike static pdf design with operational amplifiers and analog integrated circuits solution manuals or printed answer keys our experts show you how to solve each problem step by step no need to wait for office hours or assignments to be graded to find out where you took a wrong turn

operational amplifiers op amps pdf documentation - Apr 12 2023

web operational amplifiers op amps pdf documentation overview product selector documentation cad resources tools software edesignsuite part number

circuits laboratory experiment 9 operational amplifiers - Jul 03 2022

web operational amplifiers 9 1 introduction an operational amplifier op amp is a direct coupled differential input high gain voltage amplifier usually packaged in the form of a small integrated circuit the term operational dates back to the early days of analog computers when these devices

design with operational amplifier and analog integrated scribd - Aug 04 2022

web design with operational amplifier and analog integrated circuit 3rd ed by sergio franco solution manual free ebook download as pdf file pdf text file txt or read book online for free scribd is the world s largest social reading and publishing site

solutions manual for design with operational amplifiers and - May 01 2022

web 26 99 solutions manual for design with operational amplifiers and analog integrated circuits 4th edition by sergio franco download sample add to cart sku 1370 categories other solutions manual tags 4th edition design with operational amplifiers and analog integrated circuits sergio franco solutions manual description description

design with operational amplifiers and analog integrated circuits - Mar 31 2022

web design with operational amplifiers and analog integrated circuits sergio franco pdf design with operational amplifiers and analog integrated circuits sergio franco tobías lifschitz academia edu

a practical introduction to operational amplifiers - Dec 28 2021

web aug 14 2015 as their name suggests opamps are amplifiers they can amplify signals by a certain ratio of input to output this ratio is commonly referred to as the gain of an operational amplifier in a perfect world an opamp s gain would be infinite so high that it could amplify any signal level to any other signal level

chapter 1 the op amp analog devices - Jan 09 2023

web the op amp op amp operation 1 3 section 1 op amp operation introduction the op amp is one of the basic building blocks of linear design

solutions manual operational amplifiers and linear integrated - Feb 10 2023

web solutions manual operational amplifiers and linear integrated circuits third edition authors robert f coughlin frederick f driscoll print book english 1987 publisher prentice hall englewood cliffs n j 1987

solution manual for design with operational amplifiers - Feb 27 2022

web jan 19 2018 solution manual for design with operational amplifiers full free access for solution manual for design with operational amplifiers full from our huge library or simply read online from your