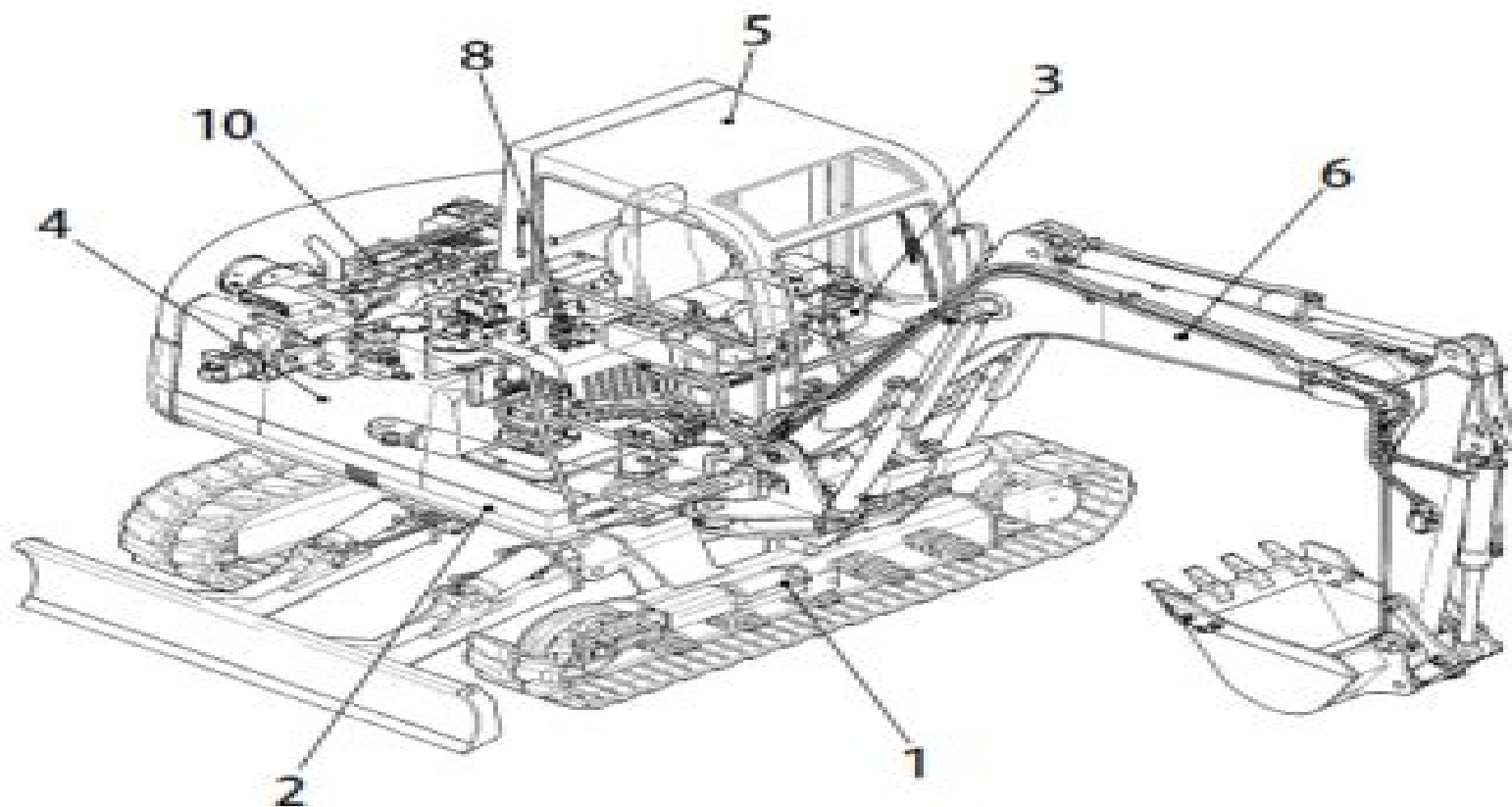


# TB070

Book No. PL1-101Z5

Serial No. 1703004-1705487



# Takeuchi Tb070 Service Manual

**Diamond T Motor Car Company.  
Service Dept**



**Takeuchi Tb070 Service Manual:**

*Technical Manual* United States Department of the Army,1982      **Toyota Starlet Owners Workshop Manual** John Harold Haynes,Andrew Kirk Legg,1985      Toyota Starlet Owners Workshop Manual Tom Schauwecker,1981      **Service Manual** Diamond T Motor Car Company. Service Dept,1948      *Service Manual: Transmission, 554/644, 744/844, 844S.* International Harvester Company,1977      **Service manual for HD series diesel tractors** Allis-Chalmers Manufacturing Company. Industrial Service Department. Tractor Division,194?

When somebody should go to the book stores, search inauguration by shop, shelf by shelf, it is truly problematic. This is why we provide the books compilations in this website. It will unconditionally ease you to see guide **Takeuchi Tb070 Service Manual** as you such as.

By searching the title, publisher, or authors of guide you in reality want, you can discover them rapidly. In the house, workplace, or perhaps in your method can be every best area within net connections. If you take aim to download and install the Takeuchi Tb070 Service Manual, it is agreed easy then, before currently we extend the join to buy and create bargains to download and install Takeuchi Tb070 Service Manual thus simple!

[https://auld.rmjm.com/About/virtual-library/default.aspx/Aprilia\\_1994\\_1998\\_Rs250\\_Motorcycle\\_Workshop\\_Repair\\_Service\\_Manual\\_10102\\_Quality.pdf](https://auld.rmjm.com/About/virtual-library/default.aspx/Aprilia_1994_1998_Rs250_Motorcycle_Workshop_Repair_Service_Manual_10102_Quality.pdf)

## **Table of Contents Takeuchi Tb070 Service Manual**

1. Understanding the eBook Takeuchi Tb070 Service Manual
  - The Rise of Digital Reading Takeuchi Tb070 Service Manual
  - Advantages of eBooks Over Traditional Books
2. Identifying Takeuchi Tb070 Service Manual
  - Exploring Different Genres
  - Considering Fiction vs. Non-Fiction
  - Determining Your Reading Goals
3. Choosing the Right eBook Platform
  - Popular eBook Platforms
  - Features to Look for in an Takeuchi Tb070 Service Manual
  - User-Friendly Interface
4. Exploring eBook Recommendations from Takeuchi Tb070 Service Manual
  - Personalized Recommendations
  - Takeuchi Tb070 Service Manual User Reviews and Ratings

- Takeuchi Tb070 Service Manual and Bestseller Lists
- 5. Accessing Takeuchi Tb070 Service Manual Free and Paid eBooks
  - Takeuchi Tb070 Service Manual Public Domain eBooks
  - Takeuchi Tb070 Service Manual eBook Subscription Services
  - Takeuchi Tb070 Service Manual Budget-Friendly Options
- 6. Navigating Takeuchi Tb070 Service Manual eBook Formats
  - ePub, PDF, MOBI, and More
  - Takeuchi Tb070 Service Manual Compatibility with Devices
  - Takeuchi Tb070 Service Manual Enhanced eBook Features
- 7. Enhancing Your Reading Experience
  - Adjustable Fonts and Text Sizes of Takeuchi Tb070 Service Manual
  - Highlighting and Note-Taking Takeuchi Tb070 Service Manual
  - Interactive Elements Takeuchi Tb070 Service Manual
- 8. Staying Engaged with Takeuchi Tb070 Service Manual
  - Joining Online Reading Communities
  - Participating in Virtual Book Clubs
  - Following Authors and Publishers Takeuchi Tb070 Service Manual
- 9. Balancing eBooks and Physical Books Takeuchi Tb070 Service Manual
  - Benefits of a Digital Library
  - Creating a Diverse Reading Collection Takeuchi Tb070 Service Manual
- 10. Overcoming Reading Challenges
  - Dealing with Digital Eye Strain
  - Minimizing Distractions
  - Managing Screen Time
- 11. Cultivating a Reading Routine Takeuchi Tb070 Service Manual
  - Setting Reading Goals Takeuchi Tb070 Service Manual
  - Carving Out Dedicated Reading Time
- 12. Sourcing Reliable Information of Takeuchi Tb070 Service Manual
  - Fact-Checking eBook Content of Takeuchi Tb070 Service Manual
  - Distinguishing Credible Sources

13. Promoting Lifelong Learning
  - Utilizing eBooks for Skill Development
  - Exploring Educational eBooks
14. Embracing eBook Trends
  - Integration of Multimedia Elements
  - Interactive and Gamified eBooks

### **Takeuchi Tb070 Service Manual Introduction**

In today's digital age, the availability of Takeuchi Tb070 Service Manual books and manuals for download has revolutionized the way we access information. Gone are the days of physically flipping through pages and carrying heavy textbooks or manuals. With just a few clicks, we can now access a wealth of knowledge from the comfort of our own homes or on the go. This article will explore the advantages of Takeuchi Tb070 Service Manual books and manuals for download, along with some popular platforms that offer these resources. One of the significant advantages of Takeuchi Tb070 Service Manual books and manuals for download is the cost-saving aspect. Traditional books and manuals can be costly, especially if you need to purchase several of them for educational or professional purposes. By accessing Takeuchi Tb070 Service Manual versions, you eliminate the need to spend money on physical copies. This not only saves you money but also reduces the environmental impact associated with book production and transportation. Furthermore, Takeuchi Tb070 Service Manual books and manuals for download are incredibly convenient. With just a computer or smartphone and an internet connection, you can access a vast library of resources on any subject imaginable. Whether you're a student looking for textbooks, a professional seeking industry-specific manuals, or someone interested in self-improvement, these digital resources provide an efficient and accessible means of acquiring knowledge. Moreover, PDF books and manuals offer a range of benefits compared to other digital formats. PDF files are designed to retain their formatting regardless of the device used to open them. This ensures that the content appears exactly as intended by the author, with no loss of formatting or missing graphics. Additionally, PDF files can be easily annotated, bookmarked, and searched for specific terms, making them highly practical for studying or referencing. When it comes to accessing Takeuchi Tb070 Service Manual books and manuals, several platforms offer an extensive collection of resources. One such platform is Project Gutenberg, a nonprofit organization that provides over 60,000 free eBooks. These books are primarily in the public domain, meaning they can be freely distributed and downloaded. Project Gutenberg offers a wide range of classic literature, making it an excellent resource for literature enthusiasts. Another popular platform for Takeuchi Tb070 Service Manual books and manuals is Open Library. Open Library is an initiative of the Internet Archive, a non-profit organization dedicated to digitizing cultural artifacts and making them accessible to the public.

Open Library hosts millions of books, including both public domain works and contemporary titles. It also allows users to borrow digital copies of certain books for a limited period, similar to a library lending system. Additionally, many universities and educational institutions have their own digital libraries that provide free access to PDF books and manuals. These libraries often offer academic texts, research papers, and technical manuals, making them invaluable resources for students and researchers. Some notable examples include MIT OpenCourseWare, which offers free access to course materials from the Massachusetts Institute of Technology, and the Digital Public Library of America, which provides a vast collection of digitized books and historical documents. In conclusion, Takeuchi Tb070 Service Manual books and manuals for download have transformed the way we access information. They provide a cost-effective and convenient means of acquiring knowledge, offering the ability to access a vast library of resources at our fingertips. With platforms like Project Gutenberg, Open Library, and various digital libraries offered by educational institutions, we have access to an ever-expanding collection of books and manuals. Whether for educational, professional, or personal purposes, these digital resources serve as valuable tools for continuous learning and self-improvement. So why not take advantage of the vast world of Takeuchi Tb070 Service Manual books and manuals for download and embark on your journey of knowledge?

### **FAQs About Takeuchi Tb070 Service Manual Books**

How do I know which eBook platform is the best for me? Finding the best eBook platform depends on your reading preferences and device compatibility. Research different platforms, read user reviews, and explore their features before making a choice. Are free eBooks of good quality? Yes, many reputable platforms offer high-quality free eBooks, including classics and public domain works. However, make sure to verify the source to ensure the eBook credibility. Can I read eBooks without an eReader? Absolutely! Most eBook platforms offer web-based readers or mobile apps that allow you to read eBooks on your computer, tablet, or smartphone. How do I avoid digital eye strain while reading eBooks? To prevent digital eye strain, take regular breaks, adjust the font size and background color, and ensure proper lighting while reading eBooks. What the advantage of interactive eBooks? Interactive eBooks incorporate multimedia elements, quizzes, and activities, enhancing the reader engagement and providing a more immersive learning experience. Takeuchi Tb070 Service Manual is one of the best book in our library for free trial. We provide copy of Takeuchi Tb070 Service Manual in digital format, so the resources that you find are reliable. There are also many Ebooks of related with Takeuchi Tb070 Service Manual. Where to download Takeuchi Tb070 Service Manual online for free? Are you looking for Takeuchi Tb070 Service Manual PDF? This is definitely going to save you time and cash in something you should think about.

**Find Takeuchi Tb070 Service Manual :**

[aprilia 1994 1998 rs250 motorcycle workshop repair service manual 10102 quality](#)

**x2 2500 apx manual**

*the bangkok asset sonchai jitpleecheep book english edition*

[network protection x26 automation guide](#)

*2nd semester biology exam review answers*

[ballades en blues the blues collection t](#)

[2000 ford ranger shop manual](#)

**romeo and juliet study guide william shakespeare**

*boeing 777 system schematics manual*

*read micro key answers*

[manual repair cadillac deville 2000](#)

~~safeword arabesque safewords book 9~~

*mitsubishi l200 service repair manual 1996*

[x2gen mg17e monitors owners manual](#)

[science research paper template](#)

**Takeuchi Tb070 Service Manual :**

*chemistry n4 exam question papers pdf pdf gccca eu - Aug 26 2022*

web apr 5 2023 we give chemistry n4 exam question papers pdf and numerous ebook collections from fictions to scientific research in any way in the middle of them is this

*past exam papers memos for engineering - Mar 01 2023*

web you might be in need of more question papers and answers memos as you prepare for your final exams we have a full single download in pdf of papers between

**chemistry form 4 notes and kcse revision questions and** - Sep 14 2021

web acids bases and salts form 4 chemistry notes form four revision questions on all topics including acids bases and salts organic chemistry ii energy changes in

**chemistry n4 past papers study guides and notes my courses** - Sep 07 2023

web may 30 2022 find chemistry n4 previous exam question papers with memorandums for answers 2023 2022 2021 2020



2019 and more prescribed textbooks and study

**n4 chemistry past papers memorandum n4 nated** - Oct 08 2023

web jun 16 2023 n4 chemistry august 2022 question paper pdf pdf 316 8 kb n4 chemistry august 2022 memorandum pdf pdf 284 3 kb n4 chemistry november

*past exam paper memo n4 engineering n1 n6 past* - Jun 04 2023

web chemistry n4 15040004 24 july 2018 x paper 09 00 12 00 this question paper consists of 5 pages and a periodic table department of higher education and

*past papers questions by topic save my exams* - Jun 23 2022

web here you ll find clear revision notes chemistry past papers typical exam questions fully explained model answers and more just select your qualification level i gcse a

*n4 question papers and memorandums with study guides pdf* - Apr 02 2023

web on this page you will find n4 past papers and study resources for all subjects notes study guides textbooks previous question papers and memos for tvet

*chemistry n4 question papers pdf download only gccca eu* - Oct 28 2022

web mar 24 2023 chemistry n4 question papers pdf right here we have countless books chemistry n4 question papers pdf and collections to check out we additionally

**chse odisha class 12 chemistry question paper 2023 with** - Jan 19 2022

web nov 7 2023 senior content writer updated on nov 7 2023 chse odisha class 12 chemistry question paper 2023 with answer key pdf set a is available for download

[national 4 chemistry scotland bbc bitesize](#) - Jan 31 2023

web royal society of chemistry national 4 chemistry learning resources for adults children parents and teachers organised by topic

**chemistry past exam papers and memos mytvvet** - Aug 06 2023

web 2020 chemistry n4 2019 chemistry n4 2018 chemistry n4 2017 chemistry n4 2016 chemistry n4 2015 chemistry n4 click on secure payments by payfast

*chemistry n4 exam question papers 2023* - Jul 25 2022

web chemistry n4 exam question papers ultimate guide to passing the jlpt n4 exam coto academy oct 10 2022 web aug 4 2021 2 about the jlpt n4 exam what does the n4

*chemistry n4 exam question papers pdf tpc redmatters* - Sep 26 2022

web chemistry n4 exam question papers chemistry n4 exam question papers downloaded from tpc redmatters com by guest

richard greyson n4 mathematics

**get the free chemistry n4 question papers form pdfiller** - May 03 2023

web chemistry n4 question papers refer to the past examination papers for the n4 level of chemistry studies these question papers are typically used by students as a study

**form 4 chemistry year end paper flip ebook pages 1 9 anyflip** - May 23 2022

web nov 25 2021 view flipping ebook version of form 4 chemistry year end paper published by jessica3321 on 2021 11 25 interested in flipbooks about form 4 chemistry year end

form 4 chemistry past exams question papers kenyaplex - Feb 17 2022

web find form 4 chemistry past papers here feel free to use all the available model question papers as your prepare for your examinations if you have past papers which are not

**aqc gcse chemistry assessment resources** - Apr 21 2022

web jul 29 2022 assessment resources insert modified a3 36pt foundation higher periodic table june 2022 insert modified a4 18pt foundation higher periodic table

*form 4 mock chemistry past exams question papers kenyaplex* - Dec 18 2021

web 233 3 chemchemistry paper 3 233 1 chemistry paper 1 kirinyaga central district joint examination 2013 chemistry paper 1 chemistry paper 3 nov dec 2017 chemistry

**national 4 chemistry course overview sqa** - Jul 05 2023

web find sqa national 4 chemistry past papers specimen question papers course specification and subject updates here

**get the free chemistry n4 textbook pdf form pdfiller** - Dec 30 2022

web once your chemistry n4 question papers form is ready you can securely share it with recipients and collect esignatures in a few clicks with pdfiller you can send a pdf by

**isc class 12 chemistry paper 1 question paper 2023 with** - Nov 16 2021

web 22 hours ago the exam was conducted by council for the indian school certificate examinations cisce on february 27 2023 in the afternoon session 2 pm to 5 pm in

*chemistry n4 question papers form signnow* - Nov 28 2022

web chemistry n4 past exam papers check out how easy it is to complete and esign documents online using fillable templates and a powerful editor get everything done in

*gujarat board 12th chemistry model test paper 2024 download* - Oct 16 2021

web 12 hours ago to download the gseb class 12 chemistry model test paper 2024 follow the stepwise procedure mentioned below these instructions will help you download the

[chemistry n4 exam question papers pdf wiki lwn](#) - Mar 21 2022

web 12 chemistry 2023 exam sample papers contains 10 sample papers designed on the latest pattern issued by cbse in sep 2022 as per the full year syllabus prescribed by

[cry of the banshee space story book one kindle edition](#) - Dec 06 2022

web cry of the banshee space story book one ebook knight paul amazon in kindle store

[cry of the banshee 1970 imdb](#) - May 31 2022

web jul 22 1970 with vincent price elisabeth bergner essy persson hugh griffith in 1500s england a cruel witch hunting magistrate who often tortures innocent villagers for his entertainment runs afoul of a witch who conjures a banshee to

**cry of the banshee space story book one by knight paul e** - Nov 05 2022

web buy cry of the banshee space story book one by knight paul e online on amazon ae at best prices fast and free shipping free returns cash on delivery available on eligible purchase

**cry of the banshee space story book one paperback** - Mar 09 2023

web oct 27 2014 cry of the banshee is the first part of a trilogy set three hundred years in the future it is a time when our universe is governed by two intergalactic

[cry of the banshee space story book one paperback](#) - Jun 12 2023

web oct 27 2014 cry of the banshee space story book one knight paul e on amazon com free shipping on qualifying offers cry of the banshee space story book one

[cry of the banshee space story book one knight paul e](#) - Feb 08 2023

web cry of the banshee space story book one knight paul e 9781503032361 books amazon ca

[cry of the banshee space story book one knight paul e](#) - Apr 10 2023

web abebooks com cry of the banshee space story book one 9781503032361 by knight paul e and a great selection of similar new used and collectible books available now at great prices cry of the banshee space story book one knight paul e 9781503032361 abebooks

**cry of the banshee google books** - Jul 13 2023

web cry of the banshee space story book one paul e knight no preview available 2014

**cry of the banshee space story book one pdf** - Sep 03 2022

web 1 cry of the banshee space story book one cry of the banshee aug 31 2021 cry of the banshee is the first part of a trilogy set three hundred years in the future it is a time when our universe is governed by two intergalactic organisations the stela union and the falstov kalasian alliance

[cry of the banshee quest world of warcraft wowhead](#) - Mar 29 2022

web description so you are to be our savior very well then i will bond myself with you through this bond i will be able to see through your eyes and communicate with you in the field according to the plans you brought to us the stormpike have enlisted the aid of si 7 at sofera s naze to the north si 7 are comprised solely of humans humans

[cry of the banshee space story book one 1 paperback](#) - Oct 16 2023

web hello sign in account lists returns orders cart

**cry of the banshee space story book one hardcover** - Jan 07 2023

web buy cry of the banshee space story book one by knight paul e from amazon s fiction books store everyday low prices on a huge range of new releases and classic fiction

*cry of the banshee space story book one volume 1* - Feb 25 2022

web buy cry of the banshee space story book one volume 1 1 by knight paul e isbn 9781503032361 from amazon s book store everyday low prices and free delivery on eligible orders

*cry of the banshee wikipedia* - Apr 29 2022

web the titular cry of the banshee is a signal that someone will die this is a celtic legend about a type of ghost and has nothing to do with satanism however the cry of the banshee is repeatedly referenced in the banquet sequence of the film during which the two local juveniles are murdered

**buy cry of the banshee space story book one 1 book online** - Oct 04 2022

web amazon in buy cry of the banshee space story book one 1 book online at best prices in india on amazon in read cry of the banshee space story book one 1 book reviews author details and more at amazon in free delivery on qualified orders

*cry of the banshee space story book one google books* - Sep 15 2023

web cry of the banshee is the first part of a trilogy set three hundred years in the future it is a time when our universe is governed by two intergalactic organisations the stela union and the

**loading interface goodreads** - Aug 02 2022

web discover and share books you love on goodreads

[cry of the banshee space story book one 1 paperback](#) - May 11 2023

web cry of the banshee space story book one 1 knight paul e amazon com au books

[31 scary story nights october 7th cry of the banshee](#) - Jul 01 2022

web oct 7 2017 hello readers and welcome back to 31 scary story nights it s october 7th we re a whole week into the month of october tonight s story hails from the the emerald isle it s called cry of the banshee the banshee is one of the most recognizable and possibly misunderstood creatures from irish lore

[cry of the banshee space story book one kindle edition](#) - Aug 14 2023

web jun 12 2014 cry of the banshee space story book one kindle edition by knight paul download it once and read it on your kindle device pc phones or tablets use features like bookmarks note taking and highlighting while reading cry of the banshee space story book one

[david busch s nikon d850 guide to digital slr photography the david](#) - Mar 15 2022

web mar 19 2018 david busch s nikon d850 guide to digital slr photography is your all in one comprehensive resource and reference for the feature packed nikon d850 camera built around a ground breaking 45 7 megapixel back illuminated sensor this pro enthusiast model offers incredible image quality and high iso performance along with 4k movie

**pdf david busch s nikon d4 guide to digital slr photography** - Mar 27 2023

web jul 4 2023 david busch s nikon d4 d4s guide to digital slr photography is the longawaited guide to using nikon s flagship cameras this book is your best bet for getting great results with your d4 or d4s both include a high performance 16 2 megapixel sensor advanced hdtv video features iso up to 408 800

*david busch s nikon d4 guide to digital slr photography* - Jan 25 2023

web oct 16 2020 isbn 9781285084589 paperback cengage learning ptr 2014 condition new brand new copy david busch s nikon d4 guide to digital slr photography david busch s digital photography guides

**david busch s nikon d4 guide to digital slr photography** - Jul 31 2023

web sep 10 2014 more bibliographic information david busch s nikon d4 guide to digital slr photography is your best bet for getting great results with your d4 nikon s new flagship camera the

**david busch s nikon d850 guide to digital slr photography** - Jun 17 2022

web jan 9 2018 david d busch rocky nook inc jan 9 2018 photography 544 pages david busch s nikon d850 guide to digital slr photography is your all in one comprehensive resource and

*david busch s nikon d4 guide to digital slr photography* - Dec 24 2022

web sep 12 2014 david busch s nikon d4 guide to digital slr photography is your best bet for getting great results with your d4 nikon s new flagship camera the d4 includes a 16 2 megapixel sensor advanced hdtv video features iso up to 204 400 and a completely new exposure sensor with 91 000 pixel resolution

[david busch s nikon d4 guide to digital slr photography](#) - Oct 22 2022

web david busch s nikon d4 guide to digital slr photography is your best bet for getting great results with your d4 nikon s new flagship camera the d4 includes a 16 2 megapixel sensor advanced hdtv video features iso up to 204 400 and a completely new exposure sensor with 91 000 pixel resolution

[david busch s nikon d4 guide to digital slr photography](#) - Aug 20 2022

web compre online david busch s nikon d4 guide to digital slr photography de busch david d na amazon frete grátis em

milhares de produtos com o amazon prime encontre diversos livros escritos por busch david d com ótimos preços

**david busch s compact field guide for the nikon d4 d4s david busch s**  - May 17 2022

web oct 15 2014 david busch s compact field guide for the nikon d4 d4s is your solution this lay flat spiral bound reference guide condenses all the must have information you need while shooting into a portable book you ll want to permanently tuck into your camera bag

*david busch s nikon d4 guide to digital slr photography*  - Apr 27 2023

web feb 24 2023 november 13 2020 edited by marc bot import existing book august 3 2020 created by importbot imported from better world books record david busch s nikon d4 guide to digital slr photography by david d busch 2013 course technology cengage learning ptr edition in english

david busch s nikon d4 guide to digital slr photography david busch s  - Oct 02 2023

web sep 12 2014 with clear how to steps and full color illustrations david busch s nikon d4 d4s guide to digital slr photography covers all the features of these capable cameras in depth from taking your first photos through advanced details of setup exposure lenses lighting and more and relates each feature to specific photographic

*nikon d4 guide to digital slr photography photo book*  - Jun 29 2023

web with clear how to steps and full color illustrations david busch s nikon d4 d4s guide to digital slr photography covers all the features of these capable cameras in depth from taking your first photos through advanced details of setup exposure lenses lighting and more and relates each feature to specific photographic techniques and situat

david busch s nikon d4 guide to digital slr photography  - Feb 23 2023

web sep 12 2014 david busch s nikon d4 guide to digital slr photography is your best bet for getting great results with your d4 nikon s new flagship camera the d4 includes a 16 2 megapixel sensor advanced hdtv video features iso up to 204 400 and a completely new exposure sensor with 91 000 pixel resolution

*david busch s nikon d4 d4s guide to digital slr photography*  - Sep 01 2023

web sep 10 2014 david busch s nikon d4 guide to digital slr photography is your best bet for getting great results with your d4 nikon s new flagship camera the d4 includes a 16 2 megapixel sensor advanced hdtv video features iso up to 204 400 and a completely new exposure sensor with 91 000 pixel resolution

david busch s nikon d4 guide to digital slr photography  - Sep 20 2022

web with more than two million books in print david d busch is the world s 1 selling digital camera guide author and the originator of popular digital photography series like david busch s pro secrets and david busch s quick snap guides he has written more than two dozen hugely successful guidebooks for nikon cameras as well as many popular books

**david d busch books list of books by author david d busch thriftbooks**  - May 29 2023

web david busch s canon eos rebel t2i 550d guide to digital slr photography 1st edition david d busch 5 29 david busch s canon eos 60d guide to digital slr photography david d busch 4 25 4 79 david busch s nikon d5000 guide to digital slr photography david d busch

**david busch s nikon d4 guide to digital slr photography** - Nov 22 2022

web sep 12 2014 david busch s nikon d4 guide to digital slr photography is your best bet for getting great results with your d4 nikon s new flagship camera the d4 includes a 16 2 megapixel sensor advanced hdtv video features iso up to 204 400 and a completely new exposure sensor with 91 000 pixel resolution

**david busch s nikon d610 guide to digital slr photography** - Feb 11 2022

web jan 24 2014 david busch s nikon d610 guide to digital slr photography shows you how when and why to use all the cool features controls and functions of the nikon d610 to take great

**david busch nikon d4 d4s guide to digital slr photography adorama** - Jul 19 2022

web the david busch nikon d4 d4s guide to digital slr photography is your best bet for getting great results with your d4 or d4s nikon s new flagship camera the d4 includes a 16 2 megapixel sensor advanced hdtv video features iso up to 204 400 and a completely new exposure sensor with 91 000 pixel resolution if you re hoping to use your new

david buschs nikon d500 guide to digital slr photography guide - Apr 15 2022

web 2016 david buschs nikon d500 guide to digital slr photography is the most comprehensive reference and guide book for nikons long awaited 20 9 megapixel enthusiast professional dx format digital camera with the same 180 000 pixel metering sensor and lightning fast 153 point autofocus system found in nikons top of the line d5