

ZENITH 29-SERIES CARBURETORS

OPERATION AND SERVICE

The Zenith 29 Series is a downdraft carburetor with a concentric float bowl design. This design assists in the proper metering of air and fuel to the engine, without flooding, when the vehicle is operated on extreme angles. It is a "sealed" and

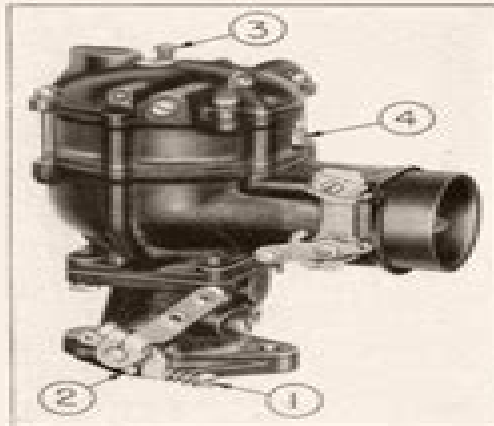


Figure 1

"balanced" carburetor in that all air for fuel bowl chamber ventilation and idling must come through the air cleaner. Air cleaner restrictions have a minimum influence on fuel-air ratio. A double venturi is employed to aid in the complete vaporization of the fuel. The power jet and accelerating pump systems are operated by engine vacuum and are completely enclosed and protected from dirt. These auxiliary jet systems are to provide the extra fuel needed for certain operations.

INSTRUCTIONS FOR ADJUSTING

ADJUSTMENTS:

1. The throttle stop screw (1), Fig. 1, should be screwed in (clockwise) against the stop pin (2) to hold the throttle just slightly open. Adjust the throttle stop screw to obtain the desired idling speed of the engine.
2. The idling adjusting screw (3) should be from 1 to $1\frac{1}{4}$ full turns off its seat. Adjust the idling adjusting screw to obtain smooth idling when engine has become thoroughly warmed up. Turning the screw in (clockwise) cuts off air, making the idling mixture richer; while turning it out (counter-clockwise) admits more air, making the mixture leaner.

If it becomes necessary to turn the screw in to less than $\frac{1}{2}$ turn off the seat to obtain

good idling of the engine, it would indicate either an air leak or a restriction in the flow of fuel for idling. Look for air leaks at the manifold flange; at carburetor throttle body to intake gasket, and at carburetor bowl to cover gasket, due to loosened assembly screws or damaged gaskets. A badly worn throttle shaft will produce sufficient air leakage to affect the idling mixture.

Dirt or other foreign matter in the idling jet calibration will restrict the flow of fuel for idling and affect the mixture. If the idling jet becomes completely clogged, it will be impossible to run the engine at idling speed regardless of adjustment of the idling adjustment screw.

3. Some models of this series are supplied with a main jet adjustment which is installed in place of plug (4), Fig. 1. Turning the needle clockwise cuts off fuel making the medium and high speed mixtures leaner. The needle should be adjusted to give highest manifold vacuum (or highest R. P. M. on a tachometer) for a set-throttle position. (This is usually about $1\frac{1}{4}$ full turns (counter-clockwise) from the seat.) If engine is equipped with speed governor, set the throttle to hold the engine speed just below the governed speed while adjusting the main jet adjustment. If adjustment is set too lean, the engine will lack power and the fuel economy also will be poor. If set too rich, the engine will be sluggish and the fuel economy poor.

STARTING:

Open the throttle about one-quarter. Pull the choke control all the way. Step on the starter. As soon as the engine starts, push the choke control in about one-third of the way and as the engine warms up, continue to push it in gradually until the choke valve is wide open.

Note: If the engine, after running satisfactorily, suddenly ceases to perform properly, do not change the carburetor adjustment. Look over the intake manifold, carburetor flange gaskets, throttle, choke, and fuel connections. Make sure that throttle and choke open and close correctly and that fuel is reaching the carburetor in a steady stream. Do not change carburetor adjustments until other causes of trouble, including ignition, have been investigated. Changes in adjustment should be necessary only with change in fuel or climate.

MODEL IDENTIFICATION

TYPE—DOWNDRAFT:

STYLE 29—Throttle and choke shafts parallel with priming plug located under air intake.

Zenith Xbv410 Manual

Zenith Data Systems (Firm)



Zenith Xbv410 Manual:

Monochrome Video Monitor Zenith Data Systems (Firm),1985
(Firm),1985

Z-100 Series Computers Zenith Data Systems

This is likewise one of the factors by obtaining the soft documents of this **Zenith Xbv410 Manual** by online. You might not require more time to spend to go to the book establishment as without difficulty as search for them. In some cases, you likewise accomplish not discover the statement Zenith Xbv410 Manual that you are looking for. It will no question squander the time.

However below, in the manner of you visit this web page, it will be so very easy to get as capably as download lead Zenith Xbv410 Manual

It will not acknowledge many times as we run by before. You can pull off it though play something else at house and even in your workplace. therefore easy! So, are you question? Just exercise just what we present under as skillfully as evaluation **Zenith Xbv410 Manual** what you when to read!

https://auld.rmjm.com/public/browse/default.aspx/A_Family_Closeness.pdf

Table of Contents Zenith Xbv410 Manual

1. Understanding the eBook Zenith Xbv410 Manual
 - The Rise of Digital Reading Zenith Xbv410 Manual
 - Advantages of eBooks Over Traditional Books
2. Identifying Zenith Xbv410 Manual
 - Exploring Different Genres
 - Considering Fiction vs. Non-Fiction
 - Determining Your Reading Goals
3. Choosing the Right eBook Platform
 - Popular eBook Platforms
 - Features to Look for in an Zenith Xbv410 Manual
 - User-Friendly Interface
4. Exploring eBook Recommendations from Zenith Xbv410 Manual

-
- Personalized Recommendations
 - Zenith Xbv410 Manual User Reviews and Ratings
 - Zenith Xbv410 Manual and Bestseller Lists
5. Accessing Zenith Xbv410 Manual Free and Paid eBooks
 - Zenith Xbv410 Manual Public Domain eBooks
 - Zenith Xbv410 Manual eBook Subscription Services
 - Zenith Xbv410 Manual Budget-Friendly Options
 6. Navigating Zenith Xbv410 Manual eBook Formats
 - ePub, PDF, MOBI, and More
 - Zenith Xbv410 Manual Compatibility with Devices
 - Zenith Xbv410 Manual Enhanced eBook Features
 7. Enhancing Your Reading Experience
 - Adjustable Fonts and Text Sizes of Zenith Xbv410 Manual
 - Highlighting and Note-Taking Zenith Xbv410 Manual
 - Interactive Elements Zenith Xbv410 Manual
 8. Staying Engaged with Zenith Xbv410 Manual
 - Joining Online Reading Communities
 - Participating in Virtual Book Clubs
 - Following Authors and Publishers Zenith Xbv410 Manual
 9. Balancing eBooks and Physical Books Zenith Xbv410 Manual
 - Benefits of a Digital Library
 - Creating a Diverse Reading Collection Zenith Xbv410 Manual
 10. Overcoming Reading Challenges
 - Dealing with Digital Eye Strain
 - Minimizing Distractions
 - Managing Screen Time
 11. Cultivating a Reading Routine Zenith Xbv410 Manual
 - Setting Reading Goals Zenith Xbv410 Manual
 - Carving Out Dedicated Reading Time
 12. Sourcing Reliable Information of Zenith Xbv410 Manual

-
- Fact-Checking eBook Content of Zenith Xbv410 Manual
 - Distinguishing Credible Sources
13. Promoting Lifelong Learning
 - Utilizing eBooks for Skill Development
 - Exploring Educational eBooks
 14. Embracing eBook Trends
 - Integration of Multimedia Elements
 - Interactive and Gamified eBooks

Zenith Xbv410 Manual Introduction

Free PDF Books and Manuals for Download: Unlocking Knowledge at Your Fingertips In today's fast-paced digital age, obtaining valuable knowledge has become easier than ever. Thanks to the internet, a vast array of books and manuals are now available for free download in PDF format. Whether you are a student, professional, or simply an avid reader, this treasure trove of downloadable resources offers a wealth of information, conveniently accessible anytime, anywhere. The advent of online libraries and platforms dedicated to sharing knowledge has revolutionized the way we consume information. No longer confined to physical libraries or bookstores, readers can now access an extensive collection of digital books and manuals with just a few clicks. These resources, available in PDF, Microsoft Word, and PowerPoint formats, cater to a wide range of interests, including literature, technology, science, history, and much more. One notable platform where you can explore and download free Zenith Xbv410 Manual PDF books and manuals is the internet's largest free library. Hosted online, this catalog compiles a vast assortment of documents, making it a veritable goldmine of knowledge. With its easy-to-use website interface and customizable PDF generator, this platform offers a user-friendly experience, allowing individuals to effortlessly navigate and access the information they seek. The availability of free PDF books and manuals on this platform demonstrates its commitment to democratizing education and empowering individuals with the tools needed to succeed in their chosen fields. It allows anyone, regardless of their background or financial limitations, to expand their horizons and gain insights from experts in various disciplines. One of the most significant advantages of downloading PDF books and manuals lies in their portability. Unlike physical copies, digital books can be stored and carried on a single device, such as a tablet or smartphone, saving valuable space and weight. This convenience makes it possible for readers to have their entire library at their fingertips, whether they are commuting, traveling, or simply enjoying a lazy afternoon at home. Additionally, digital files are easily searchable, enabling readers to locate specific information within seconds. With a few keystrokes, users can search for keywords, topics, or phrases, making research and finding relevant information a breeze. This efficiency

saves time and effort, streamlining the learning process and allowing individuals to focus on extracting the information they need. Furthermore, the availability of free PDF books and manuals fosters a culture of continuous learning. By removing financial barriers, more people can access educational resources and pursue lifelong learning, contributing to personal growth and professional development. This democratization of knowledge promotes intellectual curiosity and empowers individuals to become lifelong learners, promoting progress and innovation in various fields. It is worth noting that while accessing free Zenith Xbv410 Manual PDF books and manuals is convenient and cost-effective, it is vital to respect copyright laws and intellectual property rights. Platforms offering free downloads often operate within legal boundaries, ensuring that the materials they provide are either in the public domain or authorized for distribution. By adhering to copyright laws, users can enjoy the benefits of free access to knowledge while supporting the authors and publishers who make these resources available. In conclusion, the availability of Zenith Xbv410 Manual free PDF books and manuals for download has revolutionized the way we access and consume knowledge. With just a few clicks, individuals can explore a vast collection of resources across different disciplines, all free of charge. This accessibility empowers individuals to become lifelong learners, contributing to personal growth, professional development, and the advancement of society as a whole. So why not unlock a world of knowledge today? Start exploring the vast sea of free PDF books and manuals waiting to be discovered right at your fingertips.

FAQs About Zenith Xbv410 Manual Books

1. Where can I buy Zenith Xbv410 Manual books? Bookstores: Physical bookstores like Barnes & Noble, Waterstones, and independent local stores. Online Retailers: Amazon, Book Depository, and various online bookstores offer a wide range of books in physical and digital formats.
2. What are the different book formats available? Hardcover: Sturdy and durable, usually more expensive. Paperback: Cheaper, lighter, and more portable than hardcovers. E-books: Digital books available for e-readers like Kindle or software like Apple Books, Kindle, and Google Play Books.
3. How do I choose a Zenith Xbv410 Manual book to read? Genres: Consider the genre you enjoy (fiction, non-fiction, mystery, sci-fi, etc.). Recommendations: Ask friends, join book clubs, or explore online reviews and recommendations. Author: If you like a particular author, you might enjoy more of their work.
4. How do I take care of Zenith Xbv410 Manual books? Storage: Keep them away from direct sunlight and in a dry environment. Handling: Avoid folding pages, use bookmarks, and handle them with clean hands. Cleaning: Gently dust

-
- the covers and pages occasionally.
5. Can I borrow books without buying them? **Public Libraries:** Local libraries offer a wide range of books for borrowing. **Book Swaps:** Community book exchanges or online platforms where people exchange books.
 6. How can I track my reading progress or manage my book collection? **Book Tracking Apps:** Goodreads, LibraryThing, and Book Catalogue are popular apps for tracking your reading progress and managing book collections. **Spreadsheets:** You can create your own spreadsheet to track books read, ratings, and other details.
 7. What are Zenith Xbv410 Manual audiobooks, and where can I find them? **Audiobooks:** Audio recordings of books, perfect for listening while commuting or multitasking. **Platforms:** Audible, LibriVox, and Google Play Books offer a wide selection of audiobooks.
 8. How do I support authors or the book industry? **Buy Books:** Purchase books from authors or independent bookstores. **Reviews:** Leave reviews on platforms like Goodreads or Amazon. **Promotion:** Share your favorite books on social media or recommend them to friends.
 9. Are there book clubs or reading communities I can join? **Local Clubs:** Check for local book clubs in libraries or community centers. **Online Communities:** Platforms like Goodreads have virtual book clubs and discussion groups.
 10. Can I read Zenith Xbv410 Manual books for free? **Public Domain Books:** Many classic books are available for free as they're in the public domain. **Free E-books:** Some websites offer free e-books legally, like Project Gutenberg or Open Library.

Find Zenith Xbv410 Manual :

a family closeness

[personification about the rainforest](#)

nature vs nurture paper examples

[4th grade summary frames](#)

[renault twingo manual user](#)

ohio risk assessment system interview guide

american odyssey answer sheet

[355d john deere tech manuel](#)

~~[2nd semester exam review sheet answer](#)~~

nissan frontier complete workshop service repair manual 2014 2015

1989 chevy silverado manual

700 mud pro service manual

2009 audi tt coil over kit manual

la chatte

50 decadent chutney and relish recipes

Zenith Xbv410 Manual :

woyzeck german edition kindle edition amazon com - Aug 01 2023

web feb 24 2020 es basiert auf einem historischen ereignis in einem anfall von eifersucht ermordet woyzeck seine geliebte die historische figur wurde zum tode verurteilt und hingerichtet mehrere autoren vervollständigten büchners originalfragment und woyzeck ist zu einem der meistgespielten stücke an deutschen theatern geworden

9783847292821 woyzeck german edition georg büchner - Jan 26 2023

web woyzeck german edition finden sie alle bücher von georg büchner bei der büchersuchmaschine eurobuch com können sie antiquarische und neubücher vergleichen und sofort zum bestpreis bestellen 9783847292821 sr 2271062 taschenbuch ean 9783847292821 tredition tredition book pu tredition bücher finden vergleichen

woyzeck german edition amazon com - Nov 23 2022

web apr 3 2016 in einem anfall von eifersucht ermordet woyzeck seine geliebte die historische figur wurde zum tode verurteilt und hingerichtet mehrere autoren vervollständigten büchners originalfragment und woyzeck ist zu einem der meistgespielten stücke an deutschen theatern geworden

woyzeck german edition by georg büchner goodreads - Oct 03 2023

web woyzeck german edition by georg büchner goodreads jump to ratings and reviews want to read kindle 8 53 rate this book woyzeck georg büchner 3 07 17 143 ratings702 reviews sacrificed to powers larger than himself woyzeck is

woyzeck wikipedia - Mar 28 2023

web woyzeck german pronunciation 'vɔʏtsek is a stage play written by georg büchner büchner wrote the play between july and october 1836 yet left it incomplete at his death in february 1837 the play first appeared in 1877 in a heavily edited version by karl emil franzos and was first performed at the residence theatre in munich on 8

woyzeck german edition kindle edition amazon nl - Aug 21 2022

web select the department you want to search in

büchner woyzeck re clam - May 30 2023

web zu büchners woyzeck gibt es bei reclam einen lektüreschlüssel xl für schülerinnen und schüler nr 15458 printed in

germany 2018 reclam ist eine eingetragene marke der philipp reclam jun gmbh co kg stuttgart isbn 978 3 15 019018 0 auch als e book erhältlich reclam de

woyzeck georg büchner google books - Oct 23 2022

web aug 12 2021 written in 1836 woyzeck is often considered to be the first truly modern play the story of a soldier driven mad by inhuman military discipline and acute social deprivation is told in splintered dialogue and jagged episodes which are as shocking and telling today as they were when first performed almost a century after the author s death

amazon woyzeck german edition kindle edition by büchner - Jul 20 2022

web mar 16 2011 woyzeck german edition kindle edition by büchner georg download it once and read it on your kindle device pc phones or tablets use features like bookmarks note taking and highlighting while reading woyzeck german edition *woyzeck german edition bu chner georg 9783406352300* - Jun 18 2022

web abebooks com woyzeck german edition 9783406352300 by bu chner georg and a great selection of similar new used and collectible books available now at great prices woyzeck german edition bu chner georg 9783406352300 abebooks

woyzeck reclaims universal bibliothek german edition - Feb 24 2023

web may 13 2022 synopsis a shiny red tricycle a desperate love affair elvis visions of the devil and a thousand peas all these merge in this new adaptation of buchner s classic masterpiece about a poor soldier driven mad by a brutal unjust society originally staged at the gate theatre london this

germany searches its soul wsj the wall street journal - Mar 16 2022

web 1 day ago the editorial board nov 2 2023 6 35 pm et germany s economy and climate action minister robert habeck on thursday photo leon neal zuma press europeans have been shocked by the upswell of

woyzeck german edition georg büchner 9783843031974 - Apr 28 2023

web abebooks com woyzeck german edition 9783843031974 by georg büchner and a great selection of similar new used and collectible books available now at great prices

archaeologists in germany find centuries old skeleton with - Feb 12 2022

web 11 hours ago archaeologists in germany have uncovered a centuries old skeleton complete with a metal prosthetic hand to replace four missing fingers the bavarian state office for monument preservation said

woyzeck german edition george buchner 9783123516009 - Sep 21 2022

web george buchner 3 1 avg rating 15 701 ratings by goodreads softcover isbn 10 3123516008 isbn 13 9783123516009 publisher klett 1979 view all copies of this isbn edition synopsis about this title georg büchner woyzeck entstanden 1836 37 erstdruck in neue freie presse wien nov 1875 uraufführung am 8 11 1913 in

amazon com woyzeck - May 18 2022

web 90 days free terms apply free delivery wed jun 14 on 25 of items shipped by amazon or fastest delivery mon jun 12 only 5 left in stock more on the way more buying choices 4 74 13 used new offers etextbook 999 digital list price 13 46 available instantly woyzeck english subtitled 1979 125 prime video from 399 to rent

buy woyzeck german edition book by georg buchner - Apr 16 2022

web buy woyzeck german edition others book by georg buchner from as low as 6 05 buy 3 get 1 free our best sale yet add 4 books priced under 5 to your cart learn more

woyzeck german edition georg büchner 9783843014953 - Jun 30 2023

web woyzeck german edition georg büchner 3 12 avg rating 15 018 ratings by goodreads hardcover isbn 10 3843014957 isbn 13 9783843014953 publisher hofenberg 2016 this specific isbn edition is currently not available view all copies of this isbn edition synopsis georg büchner woyzeck entstanden 1836 37

editions of woyzeck by georg büchner goodreads - Sep 02 2023

web editions for woyzeck 3150180074 paperback published in 1998 3140223145 paperback published in 1999 1854591835 paperback published in 1997 pape

woyzeck german edition kindle edition amazon co uk - Dec 25 2022

web select the department you want to search in

te voy a doler siempre prosa poetica pdf plataforma - Jan 02 2022

web as this te voy a doler siempre prosa poetica it ends stirring inborn one of the favored ebook te voy a doler siempre prosa poetica collections that we have this is why you remain in the best website to see the amazing book to have qué bueno que te fuiste lae sánchez 2021 visión del peru 1969 my sweet orange tree josé mauro de

descargar pdf te voy a doler siempre prosa poética de - May 06 2022

web aug 22 2021 name te voy a doler siempre prosa poética autor lae sánchez gonzález categoria libros literatura y ficción poesía tamaño del archivo 8 mb tipos de archivo pdf document descargada 125 times idioma español archivos de estado available lee un libro te voy a doler siempre prosa poética de lae sánchez

te voy a doler siempre prosa poética by lae sánchez - Sep 10 2022

web reseña de te voy a doler siempre vale la pena leerlo te voy a doler siempre es una prosa poética que narra el fin de una relación que no da para más en donde la autora nos muestra su esencia y se deja al descubierto siguiendo ideas o la siguiente la vida quema rotundamente cuando me dices que te vas y me dejas te voy a doler siempre tapa

te voy a doler siempre prosa poetica pdf - Jul 08 2022

web te voy a doler siempre prosa poetica this is likewise one of the factors by obtaining the soft documents of this te voy a doler siempre prosa poetica by online you might not require more get older to spend to go to the books launch as skillfully as

search for them in some cases you likewise get not discover the notice *te voy a doler*

te voy a doler siempre prosa poetica pdf - Jun 19 2023

web *te voy a doler siempre prosa poetica grammaire espagnole divisée en quatre parties dont la première traite de la prononciation la seconde des différentes espèces de mots la troisième de la syntaxe et la quatrième de l orthographe de la ponctuation et de la prosodie avec un appendice contenant des remarques diverses suivie d un*

te voy a doler siempre prosa poetica copy uniport edu - Feb 03 2022

web may 16 2023 *te voy a doler siempre prosa poetica 1 7 downloaded from uniport edu ng on may 16 2023 by guest te voy a doler siempre prosa poetica when somebody should go to the books stores search launch by shop shelf by shelf it is in fact problematic this is why we provide the book compilations in this website*

descargar pdf te voy a doler siempre prosa poética de lae - Apr 05 2022

web mar 14 2021 *te voy a doler siempre prosa poética de lae sánchez gonzález descripción reseña del editor este libro no es un libro cualquiera este libro tiene dos hermanos te lo diré bajito qué bueno que viniste y vamos a subir al cielo a pie*

te voy a doler siempre el tercer libro de prosa poética de lae - Aug 21 2023

web sep 23 2019 *te voy a doler siempre es tan de verdad que efectivamente me va a doler siempre y no pasa nada se trata de una historia vivida en primera persona y basada en textos reales creo*

te voy a doler siempre prosa poetica - Mar 04 2022

web *te voy a doler siempre prosa poetica is available in our book collection an online access to it is set as public so you can download it instantly our digital library hosts in multiple countries allowing you to get the most less latency time to*

te voy a doler siempre de lae sánchez la reina lectora - Jul 20 2023

web dec 2 2019 *te voy a doler siempre está catalogado como un libro de prosa poética pero yo coincido con la autora en procurar trascender esta etiqueta o la del género poesía para poder entender esta obra a veces es solo una frase otras son un*

te voy a doler siempre prosa poética spanish edition - Sep 22 2023

web sep 6 2019 *amazon com te voy a doler siempre prosa poética spanish edition 9788417284893 sánchez gonzález lae books*

te voy a doler siempre prosa poética amazon co uk - Jan 14 2023

web buy *te voy a doler siempre prosa poética by 9788417284893 from amazon uk s books shop free delivery on eligible orders*

te voy a doler siempre prosa poética amazon es - Oct 23 2023

web *te voy a doler siempre prosa poética tapa blanda 6 septiembre 2019 de lae sánchez gonzález autor 4 6 4 6 de 5 estrellas 136 valoraciones*

te voy a doler siempre prosa poética tapa blanda - Apr 17 2023

web te voy a doler siempre prosa poética de sánchez gonzález lae en iberlibro com isbn 10 8417284893 isbn 13 9788417284893 muevetulengua 2019 tapa blanda

te voy a doler siempre prosa poética paperback 6 sept 2019 - Feb 15 2023

web buy te voy a doler siempre prosa poética 1 by sánchez gonzález lae isbn 9788417284893 from amazon s book store everyday low prices and free delivery on eligible orders

te voy a doler siempre by lae sánchez goodreads - May 18 2023

web te voy a doler siempre está catalogado como un libro de prosa poética pero yo coincido con la autora en procurar trascender esta etiqueta o la del género poesía para poder entender esta obra a veces es solo una frase otras son un conjunto de párrafos a veces rima a veces no como la vida misma

te voy a doler siempre tercer libro se la escritora lae sánchez - Aug 09 2022

web la escritora vallisoletana lae sánchez publica su tercer libro de prosa poética basado en textos reales te voy a doler siempre una obra de prosa poética que habla del amor propio y ajeno de los flechazos y las decepciones los besos y desencuentros con la familia como bote salvavidas dentro de ese caótico naufraga

caos literario reseña te voy a doler siempre lae sánchez - Oct 11 2022

web jun 9 2019 te voy a doler siempre es el nuevo libro de prosa poética de lae sánchez que llega tras la publicación de te lo diré bajito qué bueno que viniste y vamos a subir al cielo a pie a estas alturas lae sánchez solo podría sorprenderme para bien la descubrí con su primer libro y me conquistó por sus inquietudes y su pluma

descargar pdf te voy a doler siempre prosa poética lae - Nov 12 2022

web título te voy a doler siempre prosa poética clasificación 4 7 de 5 estrellas 117 valoraciones isbn 10 8417284893 isbn 13 9788417284893 idioma español formato ebook pdf epub kindle audio html y mobi dispositivos compatibles android ios pc y amazon kindle

te voy a doler siempre prosa poetica copy - Jun 07 2022

web one merely said the te voy a doler siempre prosa poetica is universally compatible later than any devices to read poesía y prosa pedro victor falconí 1993 escritos y discursos de gabriel garcía moreno gabriel garcía moreno 1923 lux del sol poesía y prosa eufrasio berzosa sánchez 2010 10 18 hablar de un escritor siempre es

te voy a doler siempre prosa poética amazon com au - Mar 16 2023

web te voy a doler siempre prosa poética sánchez gonzález lae on amazon com au free shipping on eligible orders te voy a doler siempre prosa poética

amazon es opiniones de clientes te voy a doler siempre prosa - Dec 13 2022

web vea reseñas y calificaciones de reseñas que otros clientes han escrito de te voy a doler siempre prosa poética en amazon com lea reseñas de productos sinceras e imparciales de nuestros usuarios

school reference letter format 15 sample letters - Dec 12 2022

web school recommendation letter recommendation letter for graduate school from professor is written by your professor from your undergraduate course to recommend you for admission in the graduate school you set an application to such a letter gives more details on your class and fieldwork abilities

sample reference letters for a high school student sample reference - Feb 02 2022

web oct 22 2021 sample reference letters for a student including one character reference letter and a letter with with employer equipped topics for what to include sample reference letters for a student including a character reference letter and ampere letter from an employers because tips for where to include

how to write an interest letter to catholic schools the - Jul 19 2023

web for example if an catholic school offers scholarships for low income families plus you hoffer the qualify tell who principal that you belong interested in learning more about financial aid opportunities

sample letter of recomendation catholic formation - Jun 06 2022

web sponsor letter of recomendation after you have completed your sessions with your candidate you will need to compose a letter of recommendation for your candidate please direct the letter to the confirmation coordinator kim palmer return to the cf office in one of the following ways mail immaculate conception church 151 s washington ave

sample reference letters for a high school student the balance - Jul 07 2022

web oct 22 2021 sample character reference letter for a student the following is a sample character reference for a student who was a mother s helper and assisted in a retail store download the letter template compatible with google docs and word online or see below for more examples

sample recommendation letter to catholic school full pdf - Nov 30 2021

web sample recommendation letter to catholic school 3 3 as a whole indeed the fathers are primarily and essentially commentators on sacred scripture highlights include original articles by fr william kurtz sj matthew levering father stephen ryan op stephen hildebrand owen phelan and michael barber as well as an original translation of

how to write a letter of recommendation template tips - Sep 09 2022

web nov 9 2023 letter of recommendation template use this template to get you started on writing a properly formatted recommendation letter of recommendation sample here s an example of a strong recommendation letter written using the template above how to format a letter of recommendation different organizations have different

sample recommendation letter from catholic priest 2023 - Jan 01 2022

web sample recommendation letter from catholic priest mano a mano catholics schools and faith education campus
confidential perspectives the independent letter from the birmingham jail st michael s almanac best practices of catholic
pastoral and finance councils saintly moms new catholic world the grants register 1999 college guide for

[32 high school recommendation letter samples word](#) - Aug 08 2022

web 32 high school recommendation letter samples a high school recommendation letter is a reference letter regarding a
student s personality capabilities ethics and interactions with other individuals the letter is often written by a teacher coach
counselor or educator who has observed the student and spent a considerable amount of time

[free recommendation letter for scholarship template with samples](#) - May 05 2022

web jul 21 2023 sample sending to provide a character references with tips for who to ask for a reference and advice on
writing a character reference with examples example 1 dear admissions committee

letters of reference for catholic teacher applicants - Jan 13 2023

web posted may 10 2022 if you are a teacher or one of your children is currently studying to become a teacher in our catholic
schools part of the application process for the board includes a letter of reference from your pastor if you are from this parish
and intend to ask for a reference letter please note that you will have to

how to write a good letter of recommendation learn religions - Apr 16 2023

web feb 16 2019 in order to write an accurate letter of recommendation it may mean you need to take a few moments to get
to know the student sit down with him or her for coffee talk about their interests grades accomplishments even if you think
you know a student well it helps to take a few moments to talk to them before sitting down to write the letter

4 amazing recommendation letter samples for students - Jun 18 2023

web sample letter 1 sara the poet dear admissions committee i had the pleasure of teaching sara in her 11th grade honors
english class at mark twain high school

how to write an interest letter to catholic schools ehov uk - May 17 2023

web for catholic parents getting their children into catholic school is an important decision that impacts their children s
education a letter of interest can be the first step in enrolling children in a catholic school parents can compose these letters
to outline their desire to enrol their children in the school and begin the application process

sample letters of recommendation the catholic high school - Sep 21 2023

web sample 1 dear admission committee am pleased to recommend anita school who has been a student in my math class for
the past three years during that time i have come to know her as a strong student and a role model for her peers

15 super scholarship recommendation letter examples - Apr 04 2022

web jan 17 2023 we re bitte to how this step by step leader assist into break down the process into several slim steps and

provides endorsement sample brief for just about everything you can think of get ready for inspiration on what to include 1
community recommendation letter

letter of recommendation catholic school - Aug 20 2023

web letter of recommendation shelley conner principal sconner ctk catholic school org 480 844 4465 dear principal a student
at your school has applied for admission to christ the king catholic school for the 2014 2015 school year

a school principal s recommendation letter for a teacher - Mar 03 2022

web cityville middle school 1 school road cityville nj 08008 dear principal nichols it s my honor and pleasure to provide this
letter of recommendation for julia as she pursues an art teaching position with cityville middle school as the principal of
townston middle school i ve enjoyed having julia on the teaching team for grades 6 through 8

recommendation forms guerin catholic high school - Nov 11 2022

web recommendation forms guerin catholic requires two recommendation forms as part of the application process at least
one recommendation must be from a current 7th or 8th grade teacher in a core academic subject english math science or
social studies the other can be submitted from another teacher coach club moderator etc a form will be

how to write an interest letter to catholic schools - Oct 22 2023

web a letter of interest can be the first step in enrolling children in a catholic school parents can compose these letters to
outline their desire to enroll their children in the school and begin the application process address the letter to the principal
of the catholic school

pastoral reference letters st patricks parish fallowfield - Mar 15 2023

web pastoral reference letters a pastoral letter is required for those applying for positions in the school board normally it
should be the pastor of the parish to which the applicant belongs the main purpose of the priest reference is to certify that
the applicant is a practicing roman catholic

recommendation letter from parish priest for school - Oct 10 2022

web 01 start by addressing the letter properly include the recipient s name title and organization for example write to whom
it may concern or dear recipient s name 02 begin the letter by introducing yourself and your affiliation with the parish

letter of recommendation samples for students the balance - Feb 14 2023

web oct 16 2022 student recommendation letter example download the recommendation letter template compatible with
google docs and word online or see below for more examples