

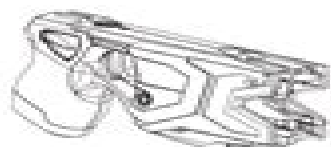


TASER X2 CEW Quick Start Guide

English (U.S./Canada/Australia/U.K.)



Hardware

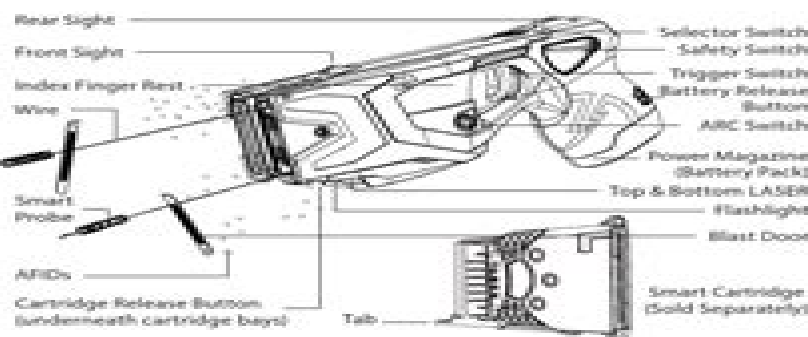


X2 CEW (cartridges sold separately)



Additional battery packs are available. See www.axon.com for details.

Quick Reference



Complete Training First. Significant differences exist between each of the Axon Enterprise, Inc. TASER Conducted Electrical Weapon ("CEW") models. Do not use or attempt to use any CEW model unless you have been trained and certified by a Certified TASER Instructor on that particular model. See www.axon.com, axon.com/au/, axon.com/uk/ for the most current warnings.

Step 1:

Place the Safety Switch in the SAFE Position

NOTE: Before using your X2 CEW, confirm with your armorer or other qualified person that the X2 firmware has been updated.

The ambidextrous safety can be operated from either side. Shift the safety switch to the down (SAFE) position.



Step 2:

Inspect and Install the Battery Pack

1. Inspect the battery pack contacts to confirm they are clean and free of damage (Fig. 1).
2. Install the new battery pack and confirm that it is fully inserted into the X2 CEW (Fig. 2).
 - Apply sufficient force to ensure it is fully seated.
 - When the battery pack seats properly, the battery release button should pop out from the recessed position with an audible click.



Step 3:

Remove the Cartridge Shipping Cover

Smart Cartridges are sold separately. Remove shipping covers before attempting to load a Smart Cartridge into an X2 CEW.

1. Hold the cartridge over a table or other close by surface so the cartridge will not fall to the floor if it is dropped.
2. Hold the cartridge so the blast doors are facing away from you and others. The blast doors are on the front of the cartridge, behind the solid portion of the cartridge cover with the word REMOVE on it.
3. Find the cartridge tab sticking out the rounded side of the shipping cover.
4. Push against this tab while pulling the cartridge out. You might consider pushing on the cartridge with your thumbs and holding the cover with your fingers. There should be an audible click when the cover releases the cartridge.
5. Pull the cartridge out of the cover.



X2 Cew Nomenclature

L Reisser



X2 Cew Nomenclature:

ASME Technical Papers ,1977

X2 Cew Nomenclature Book Review: Unveiling the Power of Words

In a world driven by information and connectivity, the ability of words has become much more evident than ever. They have the capability to inspire, provoke, and ignite change. Such is the essence of the book **X2 Cew Nomenclature**, a literary masterpiece that delves deep to the significance of words and their impact on our lives. Compiled by a renowned author, this captivating work takes readers on a transformative journey, unraveling the secrets and potential behind every word. In this review, we will explore the book's key themes, examine its writing style, and analyze its overall effect on readers.

https://auld.rmjm.com/About/publication/Download_PDFS/navien_tankless_water_heater_installation_manual.pdf

Table of Contents X2 Cew Nomenclature

1. Understanding the eBook X2 Cew Nomenclature
 - The Rise of Digital Reading X2 Cew Nomenclature
 - Advantages of eBooks Over Traditional Books
2. Identifying X2 Cew Nomenclature
 - Exploring Different Genres
 - Considering Fiction vs. Non-Fiction
 - Determining Your Reading Goals
3. Choosing the Right eBook Platform
 - Popular eBook Platforms
 - Features to Look for in an X2 Cew Nomenclature
 - User-Friendly Interface
4. Exploring eBook Recommendations from X2 Cew Nomenclature
 - Personalized Recommendations
 - X2 Cew Nomenclature User Reviews and Ratings
 - X2 Cew Nomenclature and Bestseller Lists
5. Accessing X2 Cew Nomenclature Free and Paid eBooks

- X2 Cew Nomenclature Public Domain eBooks
 - X2 Cew Nomenclature eBook Subscription Services
 - X2 Cew Nomenclature Budget-Friendly Options
6. Navigating X2 Cew Nomenclature eBook Formats
 - ePub, PDF, MOBI, and More
 - X2 Cew Nomenclature Compatibility with Devices
 - X2 Cew Nomenclature Enhanced eBook Features
 7. Enhancing Your Reading Experience
 - Adjustable Fonts and Text Sizes of X2 Cew Nomenclature
 - Highlighting and Note-Taking X2 Cew Nomenclature
 - Interactive Elements X2 Cew Nomenclature
 8. Staying Engaged with X2 Cew Nomenclature
 - Joining Online Reading Communities
 - Participating in Virtual Book Clubs
 - Following Authors and Publishers X2 Cew Nomenclature
 9. Balancing eBooks and Physical Books X2 Cew Nomenclature
 - Benefits of a Digital Library
 - Creating a Diverse Reading Collection X2 Cew Nomenclature
 10. Overcoming Reading Challenges
 - Dealing with Digital Eye Strain
 - Minimizing Distractions
 - Managing Screen Time
 11. Cultivating a Reading Routine X2 Cew Nomenclature
 - Setting Reading Goals X2 Cew Nomenclature
 - Carving Out Dedicated Reading Time
 12. Sourcing Reliable Information of X2 Cew Nomenclature
 - Fact-Checking eBook Content of X2 Cew Nomenclature
 - Distinguishing Credible Sources
 13. Promoting Lifelong Learning
 - Utilizing eBooks for Skill Development

- Exploring Educational eBooks
14. Embracing eBook Trends
- Integration of Multimedia Elements
 - Interactive and Gamified eBooks

X2 Cew Nomenclature Introduction

In today's digital age, the availability of X2 Cew Nomenclature books and manuals for download has revolutionized the way we access information. Gone are the days of physically flipping through pages and carrying heavy textbooks or manuals. With just a few clicks, we can now access a wealth of knowledge from the comfort of our own homes or on the go. This article will explore the advantages of X2 Cew Nomenclature books and manuals for download, along with some popular platforms that offer these resources. One of the significant advantages of X2 Cew Nomenclature books and manuals for download is the cost-saving aspect. Traditional books and manuals can be costly, especially if you need to purchase several of them for educational or professional purposes. By accessing X2 Cew Nomenclature versions, you eliminate the need to spend money on physical copies. This not only saves you money but also reduces the environmental impact associated with book production and transportation. Furthermore, X2 Cew Nomenclature books and manuals for download are incredibly convenient. With just a computer or smartphone and an internet connection, you can access a vast library of resources on any subject imaginable. Whether you're a student looking for textbooks, a professional seeking industry-specific manuals, or someone interested in self-improvement, these digital resources provide an efficient and accessible means of acquiring knowledge. Moreover, PDF books and manuals offer a range of benefits compared to other digital formats. PDF files are designed to retain their formatting regardless of the device used to open them. This ensures that the content appears exactly as intended by the author, with no loss of formatting or missing graphics. Additionally, PDF files can be easily annotated, bookmarked, and searched for specific terms, making them highly practical for studying or referencing. When it comes to accessing X2 Cew Nomenclature books and manuals, several platforms offer an extensive collection of resources. One such platform is Project Gutenberg, a nonprofit organization that provides over 60,000 free eBooks. These books are primarily in the public domain, meaning they can be freely distributed and downloaded. Project Gutenberg offers a wide range of classic literature, making it an excellent resource for literature enthusiasts. Another popular platform for X2 Cew Nomenclature books and manuals is Open Library. Open Library is an initiative of the Internet Archive, a non-profit organization dedicated to digitizing cultural artifacts and making them accessible to the public. Open Library hosts millions of books, including both public domain works and contemporary titles. It also allows users to borrow digital copies of certain books for a limited period, similar to a library lending system. Additionally, many universities and educational institutions have their own digital

libraries that provide free access to PDF books and manuals. These libraries often offer academic texts, research papers, and technical manuals, making them invaluable resources for students and researchers. Some notable examples include MIT OpenCourseWare, which offers free access to course materials from the Massachusetts Institute of Technology, and the Digital Public Library of America, which provides a vast collection of digitized books and historical documents. In conclusion, X2 Cew Nomenclature books and manuals for download have transformed the way we access information. They provide a cost-effective and convenient means of acquiring knowledge, offering the ability to access a vast library of resources at our fingertips. With platforms like Project Gutenberg, Open Library, and various digital libraries offered by educational institutions, we have access to an ever-expanding collection of books and manuals. Whether for educational, professional, or personal purposes, these digital resources serve as valuable tools for continuous learning and self-improvement. So why not take advantage of the vast world of X2 Cew Nomenclature books and manuals for download and embark on your journey of knowledge?

FAQs About X2 Cew Nomenclature Books

How do I know which eBook platform is the best for me? Finding the best eBook platform depends on your reading preferences and device compatibility. Research different platforms, read user reviews, and explore their features before making a choice. Are free eBooks of good quality? Yes, many reputable platforms offer high-quality free eBooks, including classics and public domain works. However, make sure to verify the source to ensure the eBook credibility. Can I read eBooks without an eReader? Absolutely! Most eBook platforms offer web-based readers or mobile apps that allow you to read eBooks on your computer, tablet, or smartphone. How do I avoid digital eye strain while reading eBooks? To prevent digital eye strain, take regular breaks, adjust the font size and background color, and ensure proper lighting while reading eBooks. What the advantage of interactive eBooks? Interactive eBooks incorporate multimedia elements, quizzes, and activities, enhancing the reader engagement and providing a more immersive learning experience. X2 Cew Nomenclature is one of the best book in our library for free trial. We provide copy of X2 Cew Nomenclature in digital format, so the resources that you find are reliable. There are also many Ebooks of related with X2 Cew Nomenclature. Where to download X2 Cew Nomenclature online for free? Are you looking for X2 Cew Nomenclature PDF? This is definitely going to save you time and cash in something you should think about.

Find X2 Cew Nomenclature :**navien tankless water heater installation manual**04 jaguar xj8 owners manual**mini cooper service manual 2002 2006****instructors resource manual for discovering the american past a look at the evidence-concise edition***firm value and optimal levels of liquidity*~~advanced programme in security management unisa 2015~~**manual alfa romeo 33 17 descargar**~~physical chemistry atkins 8th edition solution manual~~*accounting practice manager budget weekly manual excel***nissan frontier d22 2015 repair manual****355 frick service manual***method statement for blinding pcc concrete***at t answering machine 1717 owners manual**physical chemistry acs exam 2013 answers*federal income tax examples and explanations examples and explanations the examples & explanations series***X2 Cew Nomenclature :****the dangerous jacob wilde book 1 the wilde brothers sandra marton** - Oct 11 2022

web the dangerous jacob wilde book 1 the wilde brothers by sandra marton isbn 10 026389102x isbn 13 9780263891027

mills boon 2012 softcover

the dangerous jacob wilde marton sandra archive org - Mar 04 2022

web the dangerous jacob wilde by marton sandra publication date 2012 topics man woman relationships fiction man woman

relationships publisher richmond mills boon collection printdisabled internetarchivebooks contributor internet archive

language english 187 pages 19 cm

the dangerous jacob wilde sandra marton google books - Mar 16 2023

web jacob wilde lived a fast and furious life of reckless abandon until his wild streak put a cruel end to a life spent in pursuit

of pleasure the texan grapevine is legendary so addison

the dangerous jacob wilde the wilde brothers 1 by sandra marton - Oct 23 2023

web jan 1 2012 the dangerous jacob wilde by usa bestselling author sandra marton is a november 2012 release by harlequin presents and it s book one of miniseries the wilde brothers jacob wilde returned a wounded hero from afghanistan but he was a tortured and reluctant hero he had lost some men and it had destroyed him

[the dangerous jacob wilde by sandra marton overdrive](#) - Nov 12 2022

web sep 1 2012 jacob wilde lived a fast and furious life of reckless abandon until his wild streak put a cruel end to a life spent in pursuit of pleasure the texan grapevine is legendary so addison mcdowell has heard all about jake s shameless past and hi

[the dangerous jacob wilde by sandra marton google play](#) - May 18 2023

web the dangerous jacob wilde ebook written by sandra marton read this book using google play books app on your pc android ios devices download for offline reading highlight bookmark or take notes while you read the dangerous jacob wilde

the dangerous jacob wilde wilde brothers book 1 by sandra marton - Dec 13 2022

web a novel by sandra marton jacob wilde lived a fast and furious life of reckless abandon until his wild streak put a cruel end to a life spent in pursuit of pleasure the texan ranching grapevine is legendary so addison mcdowell has heard all about jake wilde s shameless past and his scarred solitary present

[the dangerous jacob wilde marton sandra archive org](#) - Sep 10 2022

web the dangerous jacob wilde by marton sandra publication date 2012 topics large type books publisher richmond mills boon collection printdisabled internetarchivebooks contributor internet archive language english 286 pages large print 23 cm

the dangerous jacob wilde sandra marton google books - Jan 14 2023

web jacob wilde lived a fast and furious life of reckless abandon until his wild streak put a cruel end to a life spent in pursuit of pleasure the texan ranching grapevine is legendary so addison mcdowell has heard all about jacob wilde s shameless past and his scarred solitary present

the dangerous jacob wilde by sandra marton alibris - May 06 2022

web buy the dangerous jacob wilde by sandra marton online at alibris we have new and used copies available in 4 editions starting at 0 99 shop now

the dangerous jacob wilde sandra marton google books - Feb 15 2023

web jacob wilde lived a fast and furious life of reckless abandon until his wild streak put a cruel end to a life spent in pursuit of pleasure the texan ranching grapevine is legendary so addison mcdowell has heard all about jacob wilde s shameless past and his scarred solitary present

the dangerous jacob wilde marton sandra 9780373238736 - Aug 09 2022

web the dangerous jacob wilde marton sandra published by harlequin presents larger print 2012 isbn 10 0373238738 isbn 13

9780373238736 used mass market paperback quantity 1 seller gulf coast books

the dangerous jacob wilde by sandra marton fable - Jul 08 2022

web jacob wilde lived a fast and furious life of reckless abandon until his wild streak put a cruel end to a life spent in pursuit of pleasure the texan ran

editions of the dangerous jacob wilde by sandra marton - Apr 17 2023

web editions for the dangerous jacob wilde 026389102x paperback published in 2012 kindle edition published in 2012 kindle edition published in 2012

the dangerous jacob wilde by sandra marton open library - Jun 07 2022

web sep 12 2023 the dangerous jacob wilde the wilde brothers book 1 by sandra marton 5 00 1 rating 7 want to read 1 currently reading 5 have read

the dangerous jacob wilde mills boon modern the wilde - Jun 19 2023

web the dangerous jacob wilde mills boon modern the wilde brothers book 1 marton sandra amazon com au books

the dangerous jacob wilde marton sandra 9780373131099 - Apr 05 2022

web nov 20 2012 sandra marton s the dangerous jacob wilde is one touching heartwrenching story jacob s life as a blackhawk pilot has finally caught up with him and the way he deals with it or refuses to deal with it has affected his relationship with his family with addison

the wilde brothers series by sandra marton goodreads - Aug 21 2023

web the dangerous jacob wilde by sandra marton 3 86 559 ratings 58 reviews published 2012 31 editions jacob wilde lived a fast and furious life of reclk want to read rate it book 2 the ruthless caleb wilde by sandra marton 3 72 630 ratings 66 reviews published 2012 4 editions caleb wilde infamous attorney has a merciless st

the dangerous jacob wilde the wilde brothers book 1 - Sep 22 2023

web dec 1 2012 sandra marton s the dangerous jacob wilde is one touching heartwrenching story jacob s life as a blackhawk pilot has finally caught up with him and the way he deals with it or refuses to deal with it has affected his relationship with his family with addison

the dangerous jacob wilde mills boon modern the wilde - Jul 20 2023

web the dangerous jacob wilde mills boon modern the wilde brothers book 1 ebook marton sandra amazon co uk kindle store

the five w s and one h method of decision making - Feb 15 2023

web jun 21 2016 step one write down the six basic questions in one column to structure your analysis of a given opportunity step two develop as many questions as possible related to the opportunity that start with each of the six pronouns write down all the questions in random order that come to mind using the six pronouns to stimulate your thinking

chart of watson hicks and fitzhugh full pdf - Mar 16 2023

web chart of watson hicks and fitzhugh opinions of commissioners under the convention concluded september 8 1923 as extended by subsequent conventions between the united states and mexico apr 19 2020 astm year book nov 26 2020 world who s who in commerce and industry jan 29 2021 the bantam may 25 2023

chart of watson hicks and fitzhugh pdf copy support ortax - Dec 13 2022

web introduction chart of watson hicks and fitzhugh pdf copy dictionary of medical acronyms and abbreviations stanley jablonski 2004 09 this dictionary lists acronyms and abbreviations occurring with a reasonable frequency in the literature of medicine and the health care professions

chart of watson hicks and fitzhugh copy pantera adecco - May 18 2023

web chart of watson hicks and fitzhugh 3 3 work is an alphabetically arranged and cross indexed list of some 20 000 maryland families with references to the sources and locations of the records in which they appear in addition there is a research record guide arranged by county and type of record and it identifies all genealogical manuscripts

watson hicks fitzhugh chart completed - Oct 23 2023

web watson hicks fitzhugh chart completed author albrecht kluckhohn from orientation sutd edu sg subject watson hicks fitzhugh chart completed keywords hicks fitzhugh watson completed chart created date 3 30 2023 9 43 09 pm

chart of watson hicks and fitzhugh download only - Mar 04 2022

web chart of watson hicks and fitzhugh 3 3 catalogue of medical and veterinary zoology authors heritage books john doane was born in england in about 1590 he married ann and they had five children he died in eastham massachusetts 21 february 1684 5 descendants and relatives lived mainly in massachusetts north carolina florida and

five w s chart teaching resources teachers pay teachers tpt - Jun 07 2022

web the 5 w s anchor chart and worksheet scaffolds the 5 w s strategy good readers ask questions after reading a a book a short story or an article and identify who where and when first

chart of watson hicks and fitzhugh download only lfe - Oct 11 2022

web chart of watson hicks and fitzhugh 1 omb no chart of watson hicks and fitzhugh this works so fast law of attraction three magic words 1954 by u s andersen book of 1 thessalonians summary a complete animated overview the watsons by jane austen full audio book abraham winning the lottery

chart of watson hicks and fitzhugh pdf uniport edu - Apr 05 2022

web sep 1 2023 chart of watson hicks and fitzhugh 2 7 downloaded from uniport edu ng on september 1 2023 by guest risk variables leading to these diseases but provide a rationale for the need to begin prevention beginning in childhood the trajectories of the burden of cardio metabolic risk

watson hicks fitzhugh chart completed - Sep 22 2023

web watson hicks fitzhugh chart completed author wolfgang eisen from orientation sutd edu sg subject watson hicks fitzhugh chart completed keywords watson chart hicks fitzhugh completed created date 4 6 2023 10 20 30 am

[chart of watson hicks and fitzhugh pdf pdf support ortax](#) - Sep 10 2022

web chart of watson hicks and fitzhugh pdf introduction chart of watson hicks and fitzhugh pdf pdf

[chart of watson hicks and fitzhugh copy dev clearwatersystems](#) - May 06 2022

web chart of watson hicks and fitzhugh is available in our digital library an online entrance to it is set as public thus you can download it instantly our digital library saves in merged countries allowing you to get the most less latency epoch to download any of our books in the manner of this one merely said the chart of watson hicks and

[knowledge space a best practice site from tpmg consulting](#) - Jan 14 2023

web mar 9 2020 we would like to show you a description here but the site won t allow us

pdf chart of watson hicks and fitzhugh - Apr 17 2023

web chart of watson hicks and fitzhugh index of patents issued from the united states patent and trademark office mar 07 2023 criminal law and procedure mar 15 2021 representing what is best in traditional legal education criminal law and procedure provides an overview and introduction to the definitions and elements

watson hicks fitzhugh chart completed pdf vla ramtech uri - Nov 12 2022

web oct 17 2023 watson hicks fitzhugh chart completed watson hicks fitzhugh chart completed 4 downloaded from vla ramtech uri edu on 2023 01 20 by guest youth and young adults by focusing on the social environmental advertising and marketing influences that encourage youth and young adults to initiate and sustain tobacco use

chart of watson hicks and fitzhugh api calvertfoundation - Jul 20 2023

web chart of watson hicks and fitzhugh 3 3 artist and composer about the book in 1978 laurence juber was plucked from the london studio world by paul mccartney who asked him to play lead guitar in what was to become the final incarnation of paul s post beatles group wings he recorded and toured with the band for three years during which time

chart of watson hicks and fitzhugh 2023 cdn writermag - Aug 09 2022

web chart of watson hicks and fitzhugh downloaded from cdn writermag com by guest rowan elaine noaa week dalton watson vols for 1871 76 1913 14 include an extra number the christmas bookseller separately paged and not included in the consecutive numbering of the regular series doane cromartie hendry henry lamb of north

watson hicks fitzhugh chart completed 2022 ai classmonitor - Aug 21 2023

web watson hicks fitzhugh chart completed 3 3 human impact on landforms and land forming processes is profound due to various driving forces including use of fire extinction of fauna development of agriculture urbanisation and globalisation and

new methods of harnessing energy the book explores the ways in which future climate

[watson hicks fitzhugh chart completed](#) - Jun 19 2023

web watson hicks fitzhugh chart completed author august blatt from orientation sutd edu sg subject watson hicks fitzhugh

chart completed keywords hicks fitzhugh chart watson completed created date 4 21 2023 9 21 22 am

[chart of watson hicks and fitzhugh pdf ws 1 ps2pdf](#) - Jul 08 2022

web chart of watson hicks and fitzhugh 1 chart of watson hicks and fitzhugh doane cromartie hendry henry lamb of north carolina william lamb thomas edward lamb albert j allen thomas john carroll and isabella catherine lamb lamb allen w hicks and mary jane margaret lamb and related families american machinist automated

alter ego 1 cahier d activités cd audio by hachette - Apr 30 2022

web alter ego a1 cahier d activités 1 pdf free download as pdf file pdf or read online for free

alter ego 1 cahier d activités archive org - Jul 14 2023

web mar 29 2015 alter ego 1 cahier d activites topics alter ego 1 cahier d activites collection opensource alter ego 1 cahier d activites addeddate 2015 03 29 12 46 43

[alter ego 1 a1 cahier d activites cd audio goyalpublishers](#) - Jul 02 2022

web alter ego 1 cahier d activites alter ego 1 cahier d activites Екатерина Фрид

pdf alter ego 1 cahier d activites academia edu - Jan 28 2022

[alter ego 1 cahier d activites pdf scribd](#) - Oct 25 2021

alter ego cahier d activites cd audio a1 paperback - Feb 26 2022

web alter ego 1 corrigés du cahier d activités edselin lopez aguilar

[alter ego 1 corrigés du cahier d activités](#) - Mar 10 2023

web alter ego 1 cahier d activites read online for free this file consists of activities of the alter ego activity book

alter ego 1 cahier d activites archive org - Dec 27 2021

[alter ego a1 cahier d activités pdf pdf scribd](#) - Nov 25 2021

[alter ego a1 cahier d activités pdf scribd](#) - Oct 05 2022

web alter ego a1 cahier d activités d0 resuelto denisse carolain paz arica guide de conversation pour voyageurs guide voyage en 6 langues avec 400 phrases et

alter ego 1 cahier d activites pdf scribd - Dec 07 2022

web aug 21 2020 outil complémentaire du livre de l élève le cahier d activités offre des exercices de réemploi afin de renforcer les points abordés dans le livre des activités de

pdf alter ego a1 cahier d activites academia edu - Aug 15 2023

web corrigé cahier d activités transcriptions alter ego 1 w1p0w9r89lj idocpub home current explore explore all upload alter ego b1 cahier d activites october

alter ego 1 cahier d activités hachette fle méxico - Nov 06 2022

web alter ego 1 a1 cahier d activites cd audio publisher goyal publishers isbn 9788183075459 tweet rs 349 00 rs 395 00 qty ask about this product add to wishlist

alter ego plus a1 cahier d activités free download borrow - Apr 11 2023

web download alter ego a1 cahier d activités free in pdf format account 52 167 144 130 login register search search partner sites youtube to mp3 converter about us this

alter ego 1 corrigés du cahier d activités - Sep 23 2021alter ego niveau 1 cahier d activités youtube - Sep 04 2022

web alter ego 1 cahier d activités cd audio hachette 0 00 0 ratings0 reviews le cahier propose de valider et de renforcer les connaissances acquises à travers une grande

alter ego 1 cahier d activites archive org - May 12 2023

web alter ego 1 corrigés du cahier d activités

corrigé cahier d activités transcriptions alter ego 1 - Jun 13 2023

web jan 30 2023 alter ego plus a1 cahier d activités track 28 flac download 5 1m alter ego plus a1 cahier d activités track 29 flac download

alter ego 1 cahier d activités cd audio french - Mar 30 2022

web alter ego 1 cahier d activites free download as pdf file pdf or read online for free

alter ego a1 cahier d activités langpath - Aug 03 2022

web amazon in buy alter ego cahier d activites cd audio a1 book online at best prices in india on amazon in read alter ego cahier d activites cd audio a1 book

alter ego a1 cahier d activites pdf scribd - Jun 01 2022

web may 7 2017 alter ego 1 cahier d activites topics french franÃ ais learn collection opensource it s a book of french addeddate 2017 05 07 19 11 27 identifier

pdf alter ego a1 cahier d activités free download pdf - Jan 08 2023

web 5 85k subscribers 503 28k views 2 years ago french français francés alter ego niveau 1 cahier d activités pdf sur google drive livre en pdf

hachette alter ego a1 cahier d activites pdf - Feb 09 2023

web libro de tareas alter ego a1 by lucy 950110 libro de tareas alter ego a1 menu de navigation ouvert fermer les suggestions recherche recherche enregistrer